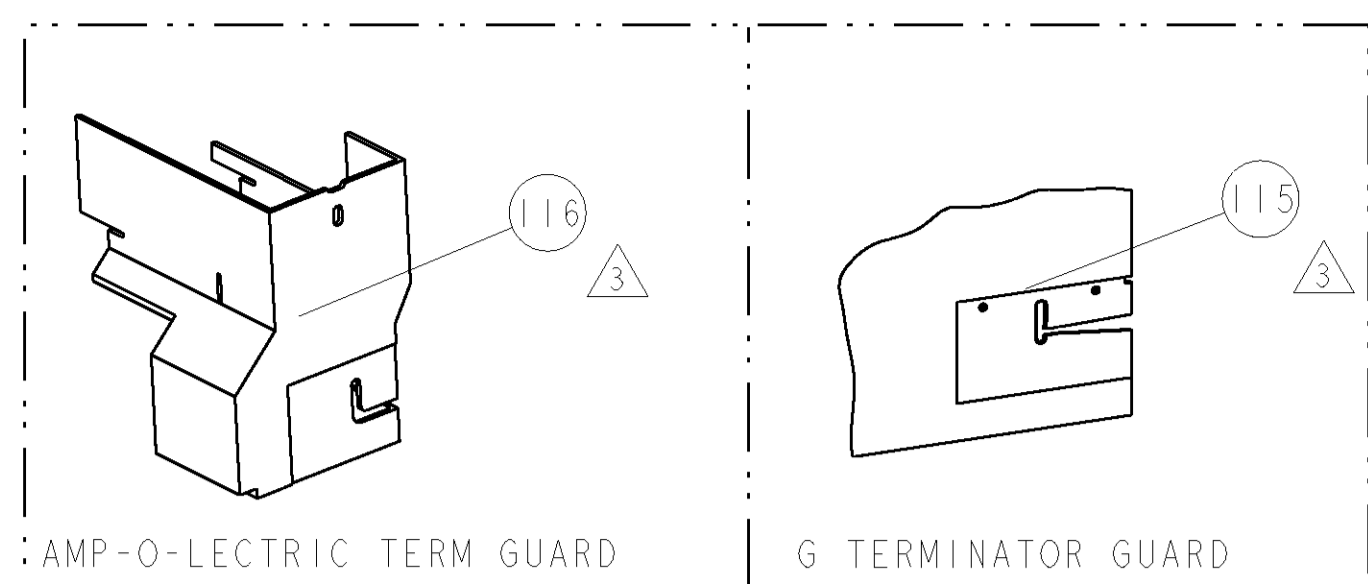


PART NUMBER	REV	FIRST USED	POWER UNIT	FEED TYPE	DESCRIPTION
1855164-1	B	122500-1	LEADMAKER	POST FEED	CUTS CARRIER
1855164-2	B	565435-5	BENCH MODEL K	PRE FEED	CUTS CARRIER
1855164-3	B	354500-1	BENCH MODEL G	PRE FEED	CUTS CARRIER
1855164-6	B	122500-1	LEADMAKER	POST FEED	CONTINUOUS CARRIER
7-1855164-7	B	-	-	-	SPARE PARTS

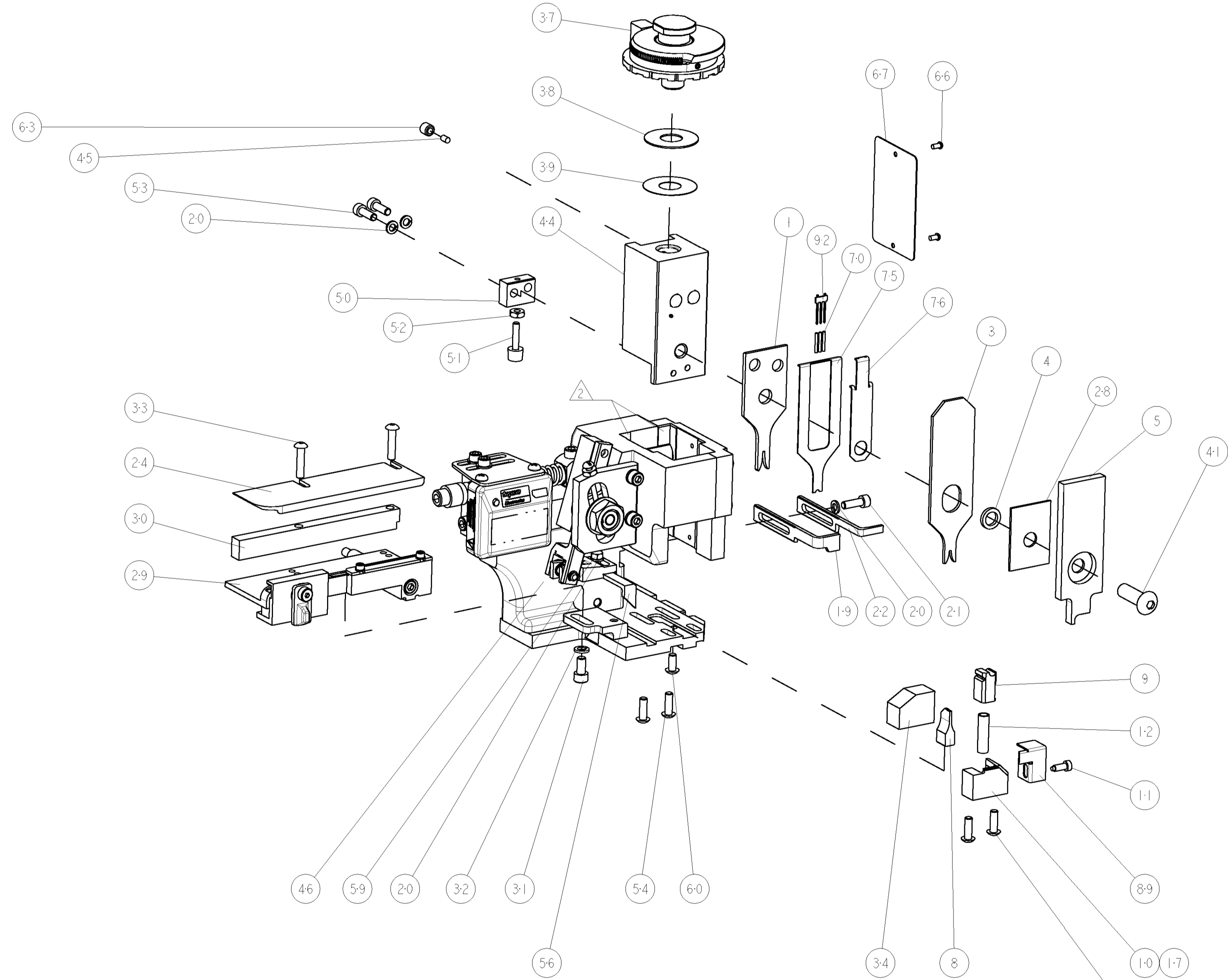


TERMINAL NAME: .025 TH TAB CONTACT				
SOCKET	PIN	AMP TERMINAL - AMP CRIMP SPECS		REF SETTING
-	1674742-1			
		CRIMP HEIGHT	WIRE SIZE	
-	-	1.01±0.05mm [.040±.002]	0.5mm2	C3
-	-	0.96±0.05mm [.038±.002]	0.3mm2	C6
		CRIMP	SIZE	TYPE
-	-	WIRE	1.40mm [.055]	F
-	-	INSUL	1.40mm [.055]	F
		FEED	APPLICATOR INSTRUCTIONS	SET UP GAGE
-	-	3.0-3.5mm	408-8040 & 408-8490	458637-1

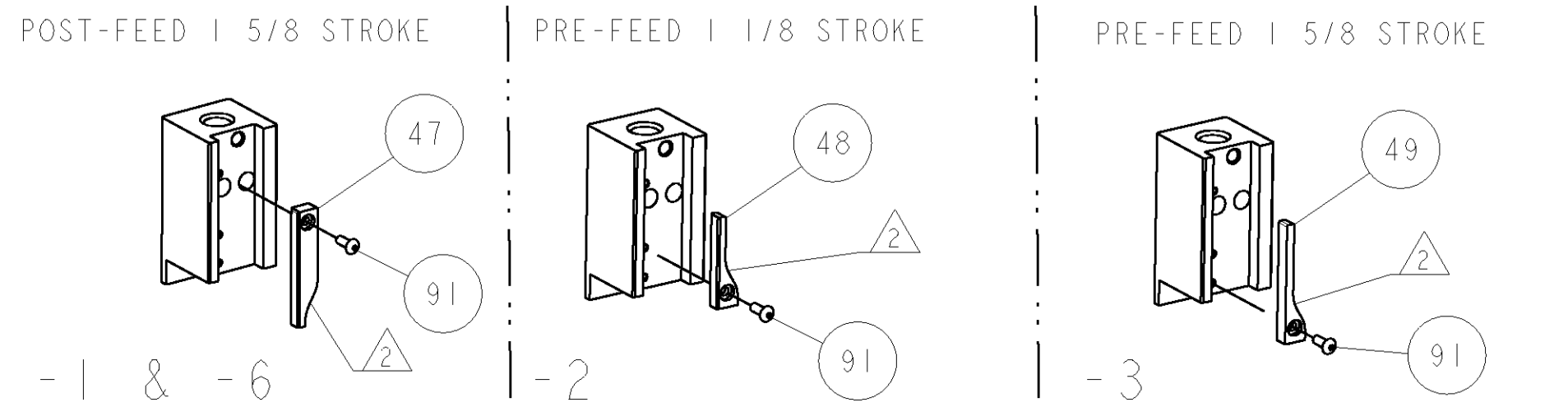
LOC	DIST	REV	DESCRIPTION	DATE	BY	APPV
A	66	A	RELEASED	18JAN2007	LG	TE
		B	ECR-07-012479	29MAY2007	MY	GB

- △ RECOMMENDED SPARE PARTS
- △ GREASE LIGHTLY
- △ GUARD MUST BE IN PLACE WHEN OPERATING APPLICATOR IN A BENCH MACHINE

*** WARNING**
ON INSTALLATION, SET WIRE DISC TO LARGEST WIRE SIZE SETTING. USE OF SETTINGS BELOW MIN. REQUIRED CRIMP HEIGHT SETTING WILL CAUSE DAMAGE TO CRIMP TOOLING.



△	-	-	-	REF	-	..	455749-1	GUARD WINDOW	116
△	-	-	-	REF	-	..	679532-1	INSERT, GUARD	115
	-	1	1	1	1	-	1424350-1	HOLDER, PIN, WIRED	92
	-	1	1	1	1	-	1-21002-7	SCR, BTN SKT HD CAP 6-32 X .375	91
	-	1	1	1	1	-	318563-1	GUARD, FRONT CHIP	89
	-	1	1	1	1	-	1490524-1	DEPRESSOR, SPACER	76
	-	1	1	1	1	-	1490525-3	DEPRESSOR, WIRE	75
	-	1	1	1	1	-	4088040	SF APPL INST 408-8040	72
	-	1	1	1	1	-	217238-1	GENERAL INSTRUCTION PKG	71
	-	3	3	3	3	-	2-23147-2	SPRING, COMPRESSION	70
	-	1	1	1	1	-	461264-5	PLATE, IDENTIFICATION	67
	-	2	2	2	2	-	21017-2	SCREW, DRIVE	66
	-	1	1	1	1	-	21009-2	SCR, SET, SELF LOCKING 1/4-20 X .250	63
	-	1	1	1	1	-	22733-8	SCR, BHSC, SELF-LOCKING, 8-32 X .375	60
	-	1	1	1	1	-	2-22603-0	SCR, HEX HD CAP 8-32 X .312	59
	-	1	1	1	1	-	458537-2	PAWL, FEED	56
	-	4	4	4	4	-	2-21002-2	SCR, BTN SKT HD CAP 8-32 X .500	54
	-	2	2	2	2	-	2-21000-7	SCR, SKT HD CAP 8-32 X .500	53
	-	1	1	1	1	-	21018-5	NUT, HEX, REG 6-32	52
	-	1	1	1	1	-	811242-2	BUMPER, HOLD DOWN	51
	-	1	1	1	1	-	690753-1	SPACER, TONKER	50
	-	-	-	-	-	..	690602-6	CAM, PRE FEED, 1 5/8	49
	-	-	-	-	-	..	690602-5	CAM, PRE FEED, 1 1/8	48
	-	-	-	-	-	..	690501-4	CAM, POST FEED, 1 5/8	47
	-	1	1	1	1	-	459456-1	APPL. BASIC SUB ASSY (SIDE WISE MQCA)	46
	-	1	1	1	1	-	690191-1	PLUG, NYLON	45
	-	1	1	1	1	-	455673-1	RAM, SIDE FEED	44
	-	1	1	1	1	-	7-21002-9	SCR, BTN SKT HD CAP 5/16-24 X 1.00	41
	-	1	1	1	1	-	690125-1	SHIM SUB-ASSY	39
	-	1	1	1	1	-	469367-8	SHIM	38
	-	1	1	1	1	-	879103-3	FINE ADJUST HEAD ASSEMBLY	37
	-	1	1	1	1	-	690786-6	TERMINAL SUPPORT	34
	-	2	2	2	2	-	2-21002-4	SCR, BTN SKT HD CAP 8-32 X .750	33
	-	1	1	1	1	-	21024-5	WASHER, SPRG LOCK, REG NO 10	32
	-	1	1	1	1	-	3-21000-4	SCR, SKT HD CAP 10-32 X .375	31
	-	1	1	1	1	-	1320908-4	SPACER, STRIP GUIDE	30
	-	1	1	1	1	-	1633091-1	ASSEMBLY, STRIP GUIDE	29
	-	1	1	1	1	-	1-455888-0	SPACER, CRIMPER	28
	-	1	1	1	1	-	1320928-1	PLATE, STRIP GUIDE	24
	-	1	1	1	1	-	690472-2	STRIPPER	22
	-	1	1	1	1	-	2-21000-7	SCR, SKT HD CAP 8-32 X .500	21
	-	4	4	4	4	-	21024-4	WASHER, SPRG LOCK, REG NO 8	20
	-	1	1	1	1	-	691353-1	STRIPPER	19
△	-	-	-	-	-	-	679625-1	SHEAR HOLDER, FRONT (NO CUT)	17
△	-	1	1	1	1	-	3-22280-3	SPRING, COMPRESSION	12
△	-	1	1	1	1	-	690461-1	STOP, SHEAR	11
△	-	-	-	-	-	-	690459-1	SHEAR HOLDER, FRONT	10
△	-	1	1	1	1	-	462006-1	FLOATING SHEAR, FRONT	9
△	1	1	1	1	1	-	1-1633106-3	ANVIL, COMBINATION .055	8
△	-	1	1	1	1	-	1-455889-4	DEPRESSOR, SHEAR	5
△	-	1	1	1	1	-	238011-7	BLOCK, CRIMPER SPACER	4
△	1	1	1	1	1	-	2-1213077-5	CRIMPER, INSULATION PREMIUM	3
△	1	1	1	1	1	-	1-1333281-2	CRIMPER, WIRE PREMIUM	1



ITEM NO	PART NO	DESCRIPTION	ITEM NO
-77	-6	-3	-2
-1	U/M	PART NO	DESCRIPTION