

4

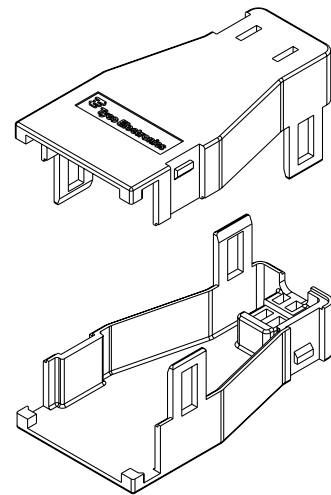
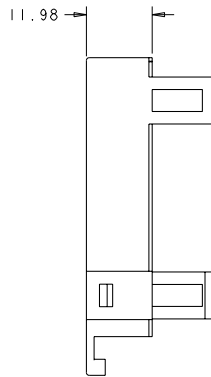
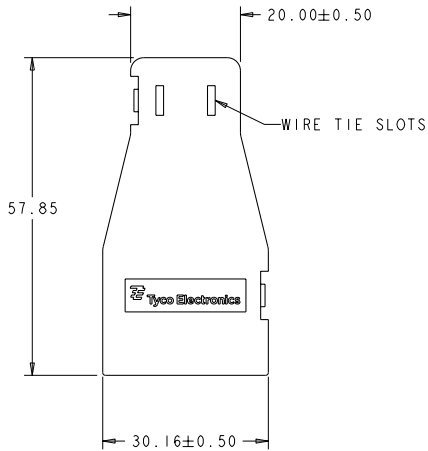
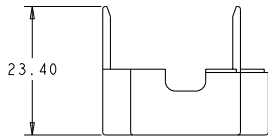
3

2

1

THIS DRAWING IS UNPUBLISHED. RELEASED FOR PUBLICATION
 BY TYCO ELECTRONICS CORPORATION. ALL RIGHTS RESERVED.

REV	DATE	BY	CHKD	APPROV
A	21SEP2007	SM	GS	



1. POLYESTER, UL 94V-0 RATED, COLOR: BLACK.
2. PART CONSISTS OF TWO (2) UNASSEMBLED STRAIN RELIEF HALVES.
3. PARTS ARE BULK PACKED.
4. ACCOMMODATES 10-16 AWG WIRE.
5. USED ON D5200 DYNAMIC RECEPTACLE HOUSING.

1986184-1
 PART NUMBER

DIMENSIONS:		TOLERANCES UNLESS OTHERWISE SPECIFIED:		DATE	24MAY2006	Tyco Electronics Harrisburg, PA 17105-3608
mm		FRACTIONS ONLY		DESIGNED BY	S. WELDON	
SYMBOL		TYPICAL		DATE	24MAY2006	STRAIN RELIEF, 4 POSITION, D5200 DYNAMIC
APPROVAL		APPROVAL		DATE	24MAY2006	
MATERIAL		FINISH		WEIGHT		RESTRICTED TO
				CUSTOMER DRAWING	SCALE 2:1	SHEET 1 OF 1 REV A