

NOTES:

1. ORDERING INFORMATION: REFER TO PART NUMBER TABLE

3. MATERIALS:

- ① SFP+ SHELL KIT, 2 PCS
- ② 3M TWINAX CABLE
- ③④ LABEL:

LILONG LABEL=CLEAR/WHITE BACKGROUND WITH BLACK TEXT, TEXT H=2.00MM, ARIAL,  
L\*W=40\*30MM, "YYWW" IS DATE CODE, e.g YEAR=2007, WEEK=26, YYWW=0726

4. JACKET TYPES: PVC, COLOR: BLUE / RED

5. CABLE FLAMMABILITY RATING: UL VW-1

6. THIS CABLE ASSEMBLY IS RoHS COMPLIANT

7. BULK CABLE MEETS UL TEMP. RANGE -20°C TO +80°C

8. BULK CABLE IMPEDANCE: 100±5 OHMS (DIFFERENTIAL)

9. UNLESS OTHERWISE NOTED, REFERENCES TO INDUSTRY SPECIFICATIONS ARE INTENDED TO INDICATE SUBSTANTIAL COMPLIANCE TO THE MATERIAL ELEMENTS OF THE SPECIFICATION. SUCH REFERENCES SHOULD NOT BE CONSTRUED AS A GUARANTEE OF COMPLIANCE TO ALL REQUIREMENTS IN A GIVEN SPECIFICATION.

10. ALL CABLE ASSEMBLIES ARE INDIVIDUALLY BAGGED.

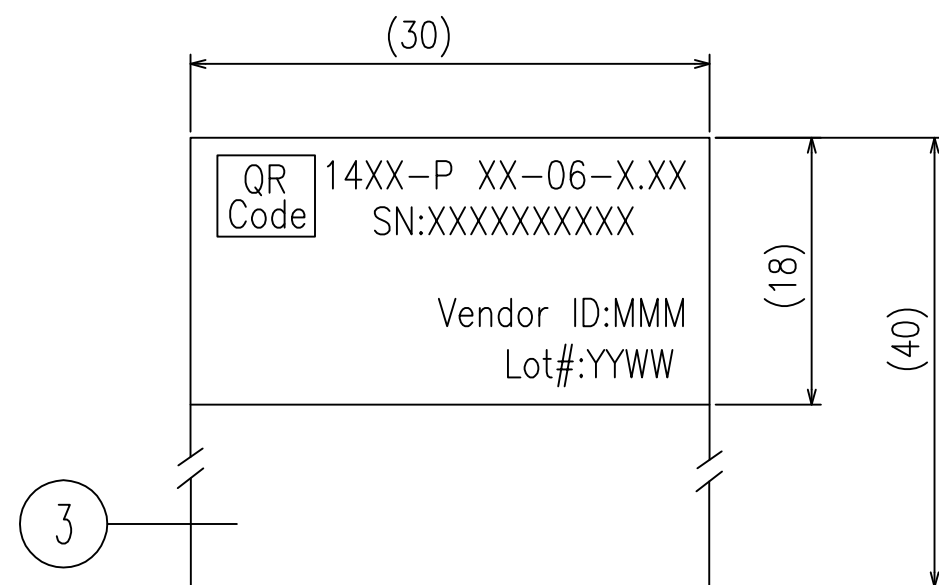
CABLE JACKET COLOR CODE

JACKET TYPE	MUNSELL COLOR
RED PVC	2.5R4/12
BLUE PVC	2.5PB4/10

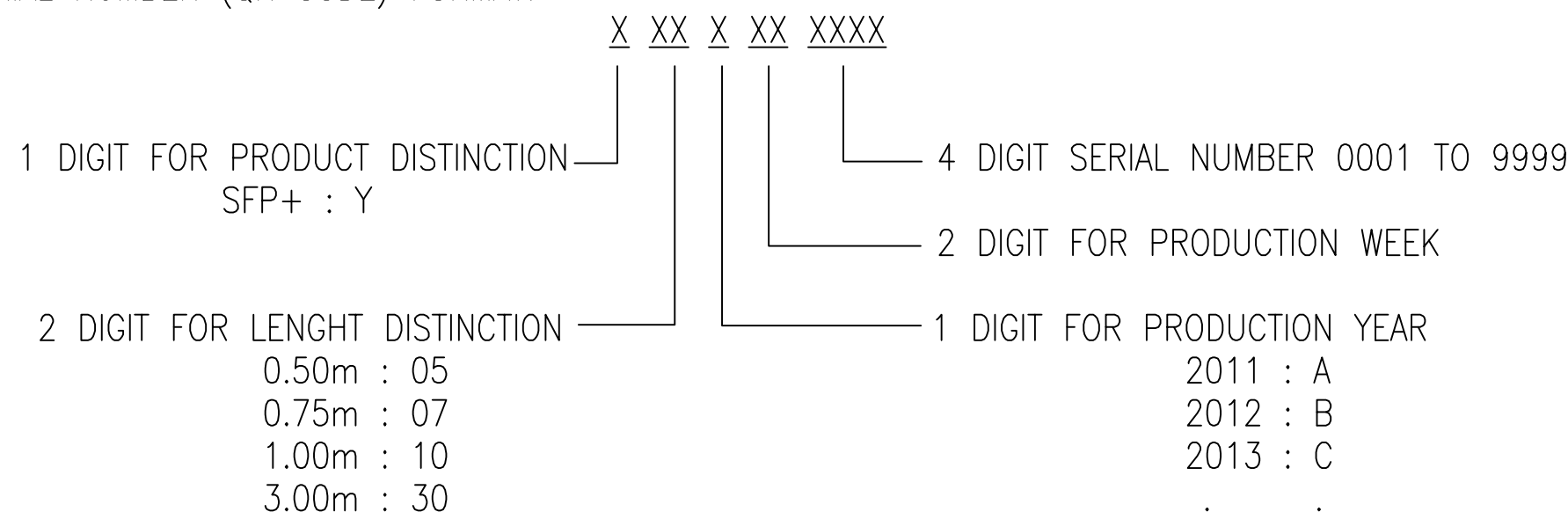
DESIGN REFERENCE		NEXT ASSEMBLY		REV	ECO	ISSUE DATE AND DESCRIPTION	DRFT	CHKD
DISTRIBUTION CODES				DRFT	YUNLONG	DATE SEP 03,2015	MFG EDDIE	DATE SEP 03,2015
DIVISION ESD		DIVISION CODE		CHKD	YUNLONG	DATE SEP 03,2015	APPVL SAUJIT BANDHU	DATE SEP 03,2015
DO NOT SCALE DRAWING	SCALE 1.3 1	TOLERANCES EXCEPT AS NOTED		3M Center St. Paul, MN 55144 © 3M COPYRIGHT 2016 This document and the information it contains are 3M property and may not be reproduced or further distributed without 3M permission, or used or disclosed other than for 3M authorized purposes. All rights reserved.				
THIRD ANGLE PROJECTION		INCHES		TITLE				
INTERPRET PER ASME Y14.5 - 1994		MILLIMETERS		3M™ PASSIVE TWIN AXIAL CABLE ASSEMBLY FOR SFP+ APPLICATIONS WITH UNIVERSAL PULL TAB AND BLUE / RED COLOR CABLE OPTIONS				
MAX SURFACE ROUGHNESS		ANGLES ±1°		CAGE NUMBER	SIZE	DRAWING NO.	REV.	
125 ✓ □ ALL SURFACES ☒ MARKED ONLY				C	C	78-5100-2649-1	B	
				DET. LISTS		☐ YES ☒ NO		SHT 1 OF 2

78-5100-2649-1  
DRAWING NUMBER  
B  
REVISION

LABEL DETAIL



SERIAL NUMBER (QR CODE) FORMAT:



P1/P2	
PIN NO.	SYMBOL
1	VeeT
2	Tx_Fault
3	Tx_Disable
4	SDA
5	SCL
6	Mod_ABS
7	RS0
8	Rx_LOS
9	RS1
10	VeeR

ASSEMBLY PINOUT

P1		P2	
B11	GND	B20	GND
B12	Rx-	B19	Tx-
B13	Rx+	B18	Tx+
B14	GND	B17	GND
B15	-	B16	-
B16	-	B15	-
B17	GND	B14	GND
B18	Tx+	B13	Rx+
B19	Tx-	B12	Rx-
B20	GND	B11	GND

PART NUMBER TABLE

3M™ CABLE ASSEMBLY P/N	CABLE COLOR	CABLE SIZE (AWG)	CABLE LENGTH (METERS) "M"	TOTAL LENGTH (METERS) "L"
1412-P20-06-1.00	RED	30 AWG	0.88	1.0
1412-P20-06-1.50	RED	30 AWG	1.38	1.5
1412-P20-06-2.00	RED	30 AWG	1.88	2.0
1412-P20-06-2.50	RED	30 AWG	2.38	2.5
1412-P20-06-3.00	RED	30 AWG	2.88	3.0
1412-P20-06-3.50	RED	30 AWG	3.38	3.5
1412-P20-06-4.00	RED	30 AWG	3.88	4.0
1412-P20-06-5.00	RED	30 AWG	4.88	5.0
1412-P21-06-1.00	BLUE	30 AWG	0.88	1.0
1412-P21-06-1.50	BLUE	30 AWG	1.38	1.5
1412-P21-06-2.00	BLUE	30 AWG	1.88	2.0
1412-P21-06-2.50	BLUE	30 AWG	2.38	2.5
1412-P21-06-3.00	BLUE	30 AWG	2.88	3.0
1412-P21-06-3.50	BLUE	30 AWG	3.38	3.5
1412-P21-06-4.00	BLUE	30 AWG	3.88	4.0
1412-P21-06-5.00	BLUE	30 AWG	4.88	5.0
1412-P31-06-4.00	RED	26 AWG	3.88	4.0
1412-P31-06-5.00	RED	26 AWG	4.88	5.0
1412-P31-06-6.00	RED	26 AWG	5.88	6.0
1412-P31-06-7.00	RED	26 AWG	6.88	7.0
1412-P32-06-4.00	BLUE	26 AWG	3.88	4.0
1412-P32-06-5.00	BLUE	26 AWG	4.88	5.0
1412-P32-06-6.00	BLUE	26 AWG	5.88	6.0
1412-P32-06-7.00	BLUE	26 AWG	6.88	7.0

DESIGN REFERENCE NEXT ASSEMBLY

DISTRIBUTION CODES

DIVISION ESD

DO NOT SCALE DRAWING

THIRD ANGLE PROJECTION

INTERPRET PER ASME Y14.5 - 1994

MAX SURFACE ROUGHNESS 125

SCALE NTS

TOLERANCES EXCEPT AS NOTED

INCHES

MILLIMETERS

ANGLES ±1°

REFER TO PAGE 1

REV	ECO	ISSUE DATE AND DESCRIPTION	DRFT	CHKD
YUNLONG		DATE SEP 03,2015	MFG EDDIE	DATE SEP 03,2015
YUNLONG		DATE SEP 03,2015	APPVL SAUJIT BANDHU	DATE SEP 03,2015

3M Center St. Paul, MN 55144

3M™ PASSIVE TWIN AXIAL CABLE ASSEMBLY FOR SFP+ APPLICATIONS WITH UNIVERSAL PULL TAB AND BLUE / RED COLOR CABLE OPTIONS

CAGE NUMBER C

SIZE

DRAWING NO. 78-5100-2649-1

REV. B

DET. LISTS  YES  NO

SHT 2 OF 2

78-5100-2649-1 B REVISION DRAWING NUMBER