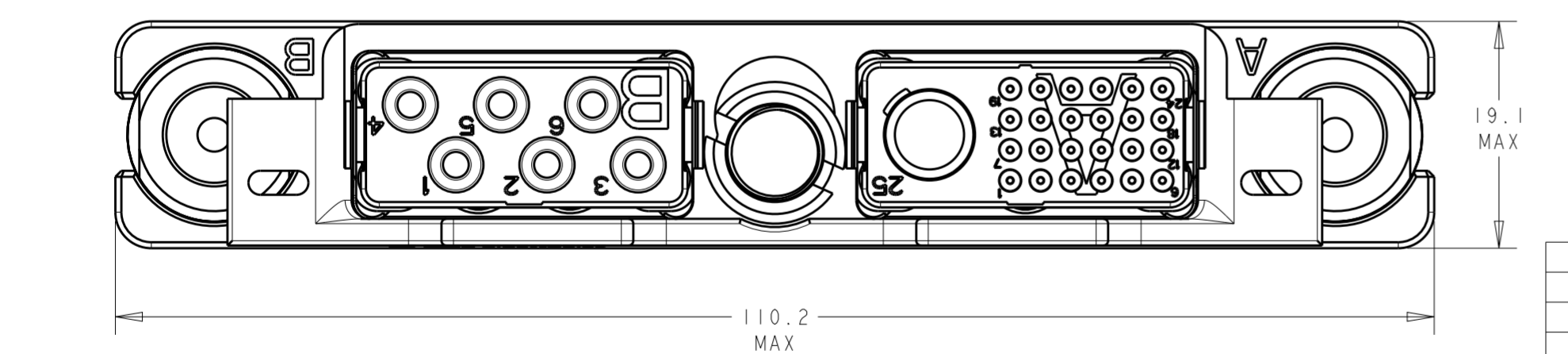
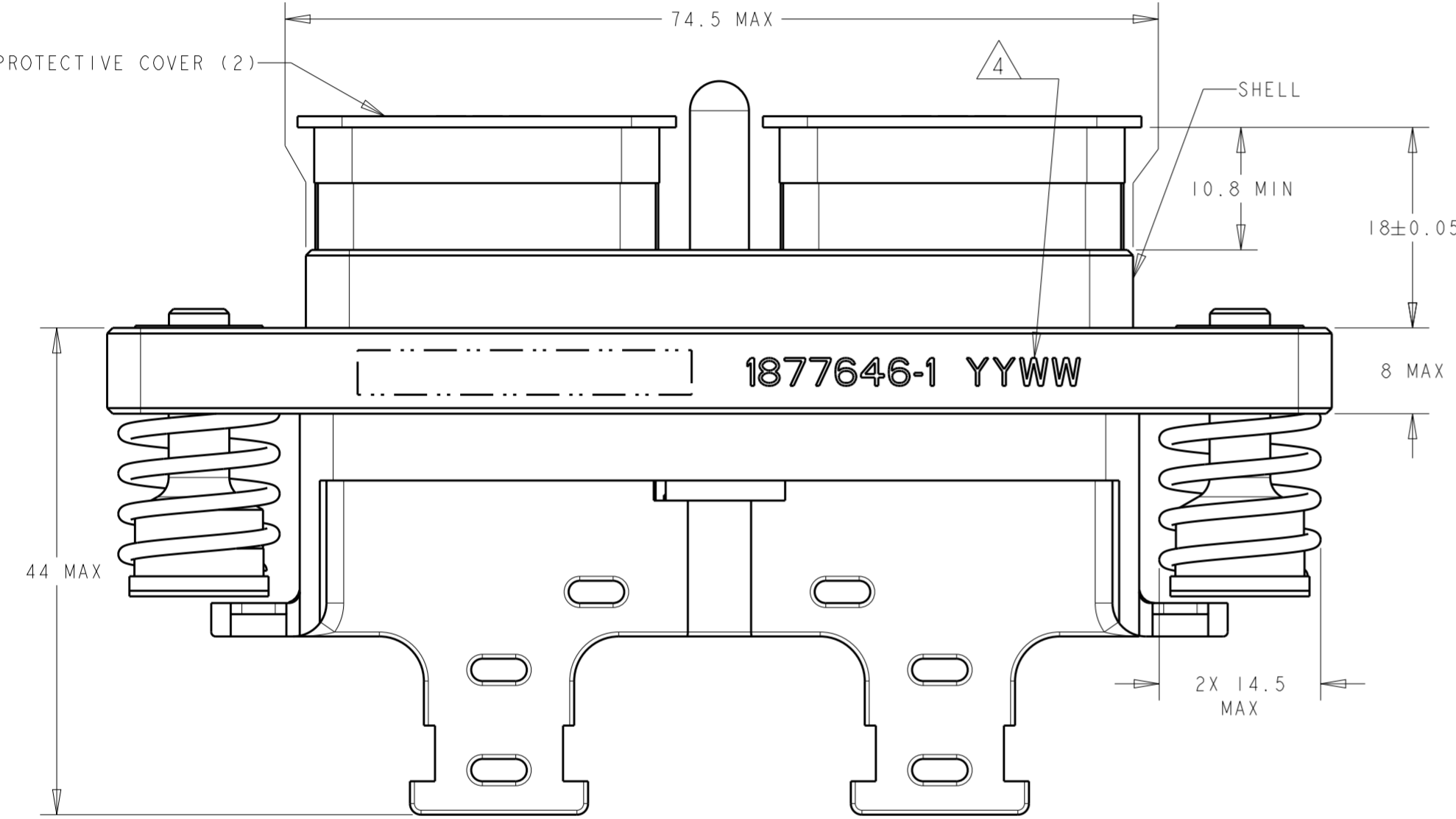
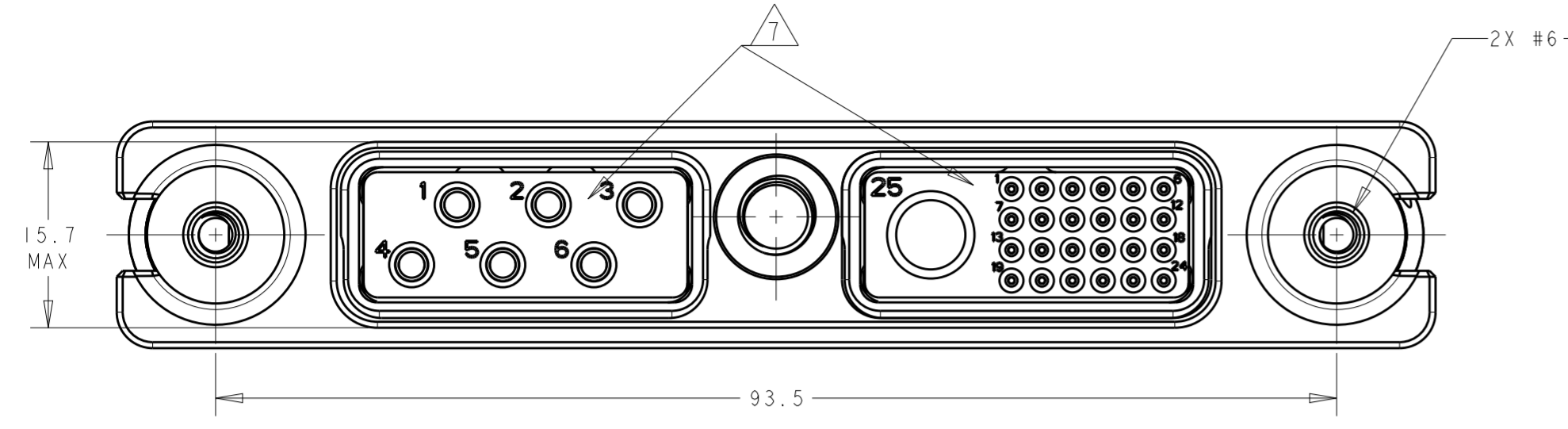
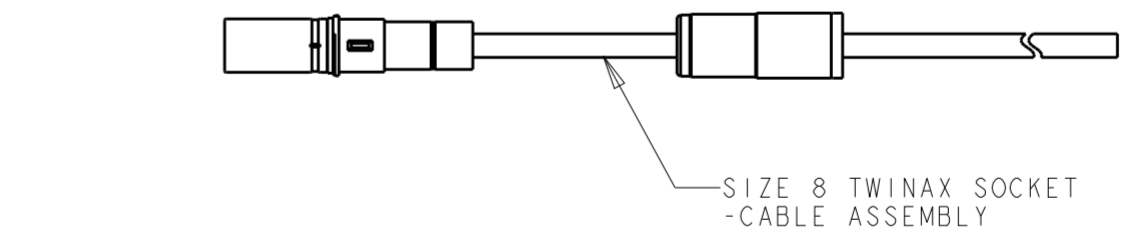
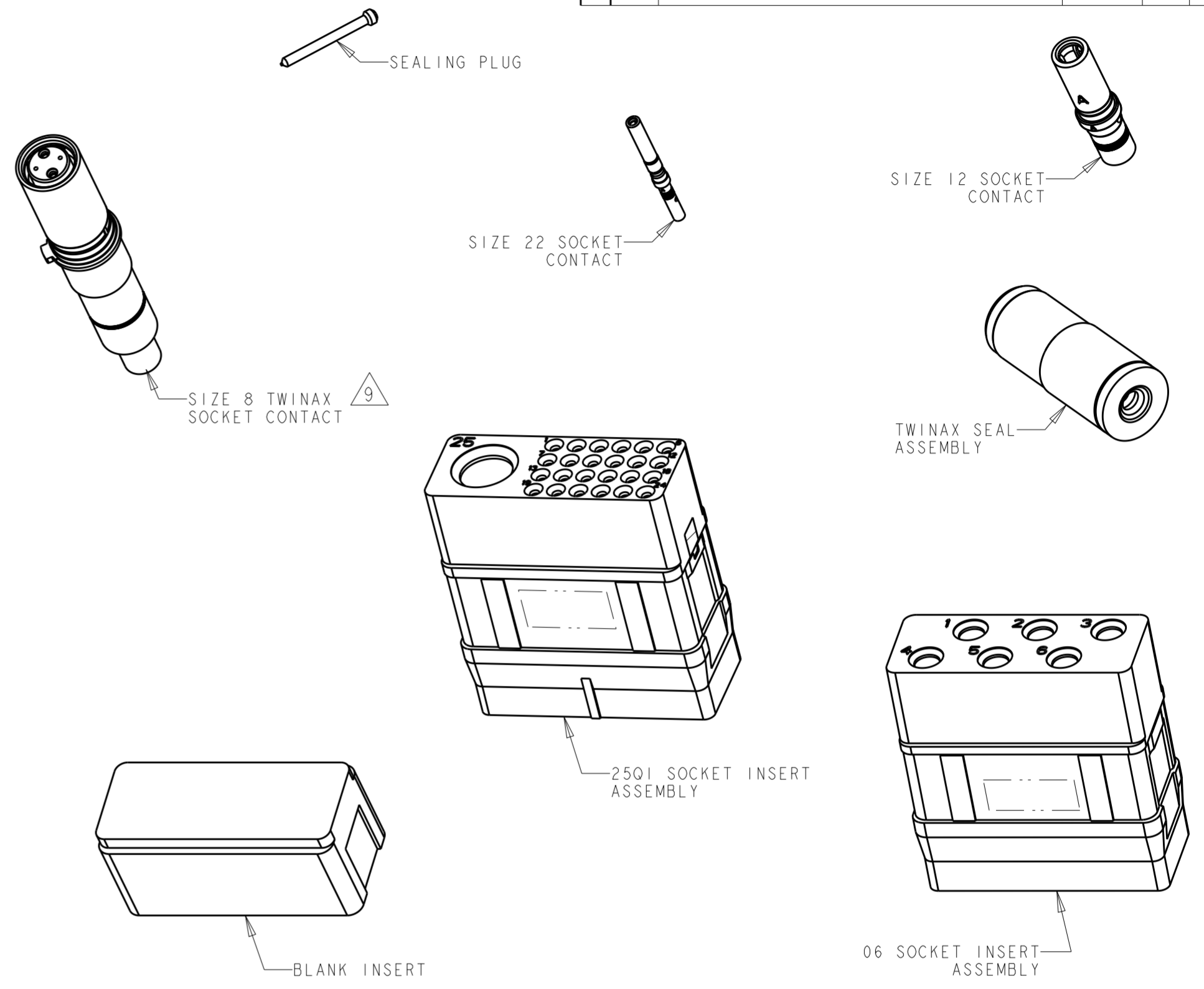


THIS DRAWING IS UNPUBLISHED. RELEASED FOR PUBLICATION  
 © COPYRIGHT - BY - ALL RIGHTS RESERVED.

LOC		DIST		REVISIONS			
P	LTR	DESCRIPTION	DATE	DWN	APVD		
	10	REVISED PER ECO-14-018499	18DEC14	MGM	CT		



PART NUMBER 1877646-1 SHOWN



-			-	6	24		-					1877646-6
	-		-	6	24	-	-					1877646-5
-	-		9	6	15	-	-					1877646-4
-	-		-	6	-	-	-					1877646-3
-	-		-	6	-	-			-			1877646-2
-			9	6	15		-					1877646-1

CABLE ASSEMBLY	SEAL ASSEMBLY	STRAIN RELIEF KIT	SEALING PLUG	SIZE 12 SOCKET CONTACT	SIZE 22 SOCKET CONTACT	SIZE 8 TWINAX SOCKET CONTACT KIT	BLANK INSERT	06 SOCKET INSERT ASSEMBLY	2501 SOCKET INSERT ASSEMBLY	PLUG SHELL ASSEMBLY	PART NUMBER
SIZE 8 TWINAX SOCKET 2102215-2	SIZE 8 TWINAX 1954046-1	1738313-1	592104-4	1738018-1	1738008-1	1811866-3	1738085-1	1738104-1	1811122-1	1877070-2	

THIS PRINT IS  
**PRELIMINARY**  
 UNQUALIFIED PRODUCT CONTACT PRODUCT ENGINEERING BEFORE USING THIS PRINT

THIS DRAWING IS A CONTROLLED DOCUMENT.

DWN	06 JAN 06		TE Connectivity <b>PRELIMINARY</b>
CHK	06 JAN 06		
JPM	06 JAN 06		
APVD	06 JAN 06		
NAME	KIT, PLUG CONNECTOR, GAIN, GPRB2		
PRODUCT SPEC	2mm SQ, AIRCRAFT DATA NETWORK		
APPLICATION SPEC			
WEIGHT		SIZE	CAGE CODE
		A200779	C-1877646
CUSTOMER DRAWING	SCALE	2:1	SHEET
			1 OF 2
			REV
			10

THIS DRAWING IS UNPUBLISHED. RELEASED FOR PUBLICATION  
 © COPYRIGHT - BY - ALL RIGHTS RESERVED.

LOC		DIST		REVISIONS			
P	LTR	DESCRIPTION	DATE	DWN	APVD		
-	-	SEE SHEET 1	-	-	-		

- THE PLUG CONNECTOR KITS CONSIST OF THE FOLLOWING ITEMS, WHICH ARE ALSO AVAILABLE SEPARATELY. THE QUANTITIES OF EACH ARE LISTED IN THE PART NUMBER TABLE.  
 1877070-2 SOCKET SHELL ASSEMBLY (UNMARKED)  
 1811122-1 SOCKET INSERT ASSEMBLY, 2501, KEY A - INSTALLED.  
 1738104-1 SOCKET INSERT ASSEMBLY, 06, KEY B - INSTALLED.  
 181866-3 SOCKET CONTACT, SIZE 8, TWINAX - NOT INSTALLED.  
 1738008-1 SOCKET CONTACT, SIZE 22 - NOT INSTALLED.  
 1738018-1 SOCKET CONTACT, SIZE 12 - NOT INSTALLED.  
 592104-4 SEALING PLUG - NOT INSTALLED.  
 1954046-1 SEAL ASSEMBLY, TWINAX - NOT INSTALLED.  
 1738313-1 STRAIN RELIEF KIT - INSTALLED.  
 1738085-1 BLANK INSERT - INSTALLED  
 2102215-2 CABLE ASSEMBLY, SINGLE-ENDED, SOCKET CONTACT TO 120Ω TWINAXIAL CABLE-NOT INSTALLED

- PLUG SHELL ASSEMBLY:  
 SHELL: ALUMINUM ALLOY 6061 T651 PER SAE AMS-QQ-A-250  
 INSERT RETENTION CLIP: COPPER ALLOY PER ASTM B194  
 GUIDE PIN & MOUNTING POST: STAINLESS STEEL PER AISI 303  
 RETAINING NUT & SPRING: STAINLESS STEEL PER AISI 316  
 PROTECTIVE COVER: THERMOPLASTIC ELASTOMER

- 2501 SOCKET INSERT AND 06 SOCKET INSERT ASSEMBLY:  
 FRONT & REAR INSULATORS: HIGH-TEMP THERMOPLASTIC OR THERMOSET EPOXY PER ASTM D5948  
 CONTACT RETENTION CLIPS: STAINLESS STEEL PER AISI 302 OR COPPER ALLOY PER ASTM B194  
 REAR GROMMET: FLUOROSILICONE ELASTOMER PER MIL-R-25988 B EXCEPT 4.6.6.1

- BLANK INSERT: PEI THERMOPLASTIC PER ASTM D5205

- SIZE 22 SOCKET CONTACT AND SIZE 12 SOCKET CONTACTS:  
 CONTACT BODY: COPPER ALLOY PER ASTM B196  
 SLEEVE: STAINLESS STEEL PER AISI 305

- STRAIN RELIEF KIT:  
 SHROUD: PEI THERMOPLASTIC PER ASTM D5205  
 RETAINING NUT: STAINLESS STEEL PER AISI 316

- SIZE 8 TWINAX SOCKET ASSEMBLY:  
 HOOD: STAINLESS STEEL: PER AISI 305  
 OUTER SHELL BODY: COPPER ALLOY PER ASTM B196  
 FRONT AND REAR DIELECTRICS: HIGH-TEMP THERMOPLASTIC  
 SOCKET CONTACTS: COPPER ALLOY PER ASTM B197  
 CRIMP FERRULE: COPPER ALLOY PER ASTM B16

- SEAL ASSEMBLY:  
 SEAL SLEEVE: PPS THERMOPLASTIC PER ASTM D4067, COLOR: NATURAL.  
 SEAL BOOT: FLUOROSILICONE ELASTOMER PER SAE AMS-R-25988, EXCEPT 4.6.6.1.

- SEALING PLUG:  
 TEFLON PER MS27488.

- CABLE ASSEMBLY:  
 TWINAXIAL CABLE:  
 JACKET: MODIFIED FEP  
 SHIELD: COPPER, AWG 40  
 FILLERS: FEP  
 DIELECTRIC: RAYFOAM H  
 CONDUCTORS: HIGH-STRENGTH COPPER ALLOY, AWG 26: 7 STRANDS OF AWG 34  
 SIZE 8 TWINAX SOCKET CONTACT ASSEMBLY: MATERIALS AS LISTED ABOVE  
 SEAL ASSEMBLY: MATERIALS AS LISTED ABOVE

- SHELL: ELECTROLYTIC NICKEL PER SAE AMS QQ-N-290 OVER  
 ELECTROLESS NICKEL PER SAE AMS-2404, CLASS 3.

- GUIDE PIN & MOUNTING POST: PASSIVATED

- SIZE 22 SOCKET AND SIZE 12 SOCKET CONTACT:  
 CONTACT BODY: 1.27µm MIN GOLD PER ASTM B488 OVER 2.54µm MIN NICKEL PER QQ-N-290 ON ENTIRE STOCK.  
 SLEEVE: PASSIVATED.

- SIZE 8 TWINAX SOCKET ASSEMBLY:  
 OUTER SHELL, PIN CONTACTS AND CRIMP FERRULE: 1.27µm MIN GOLD PER ASTM B488 OVER 1.27µm MIN NICKEL PER QQ-N-290 ON ENTIRE STOCK.  
 SLEEVE: PASSIVATED

- CABLE ASSEMBLY:  
 TWINAX CABLE:  
 SHIELD & CONDUCTORS: SILVER  
 SIZE 8 TWINAX SOCKET CONTACT ASSEMBLY: FINISHES AS LISTED ABOVE

- DATE CODE - YEAR & WEEK (YY WW)

- 6-32 SCREWS ARE REQUIRED FOR PANEL MOUNTING (NOT INCLUDED).  
 SCREW HEAD DIAMETER: 8.5mm MAX  
 RECOMMENDED TORQUE: 1.3 N-m [11.5 in-lb] MIN.

- 6-32 THREADED HOLES ARE SELF-LOCKING, HAVING THE SPIRALOCK® THREAD FORM. SPIRALOCK® IS A REGISTERED TRADEMARK OF SPIRALOCK CORPORATION.

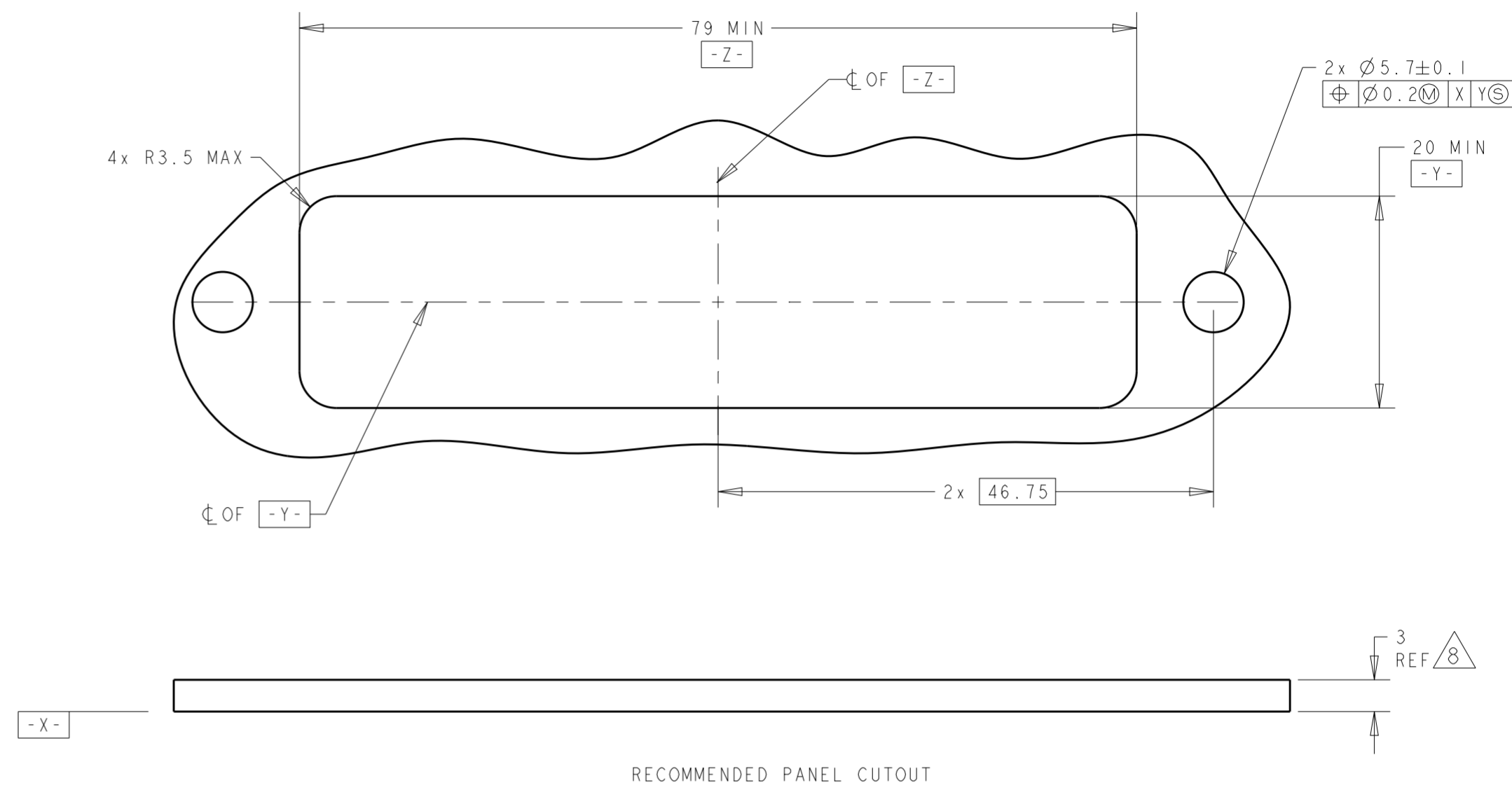
- THE PROTECTIVE COVERS ARE NOT SHOWN FOR CLARITY.

- PANEL THICKNESS: 4.06mm MAX.

- TWINAX CONTACT COMPONENTS ARE PACKAGED IN KIT FORM. THE CABLE MUST BE PURCHASED SEPARATELY.

- TOTAL LATERAL FLOAT: Ø4mm (±2mm)  
 REQUIRED AXIAL DISPLACEMENT IN THE MATING DIRECTION: 2.25±1mm

- THIS PRODUCT IS SOLD BY TYCO ELECTRONICS UNDER A LICENSE FROM RADIALL SA.



RECOMMENDED PANEL CUTOUT

THIS PRINT IS  
**PRELIMINARY**  
 UNQUALIFIED PRODUCT  
 CONTACT PRODUCT ENGINEERING  
 BEFORE USING THIS PRINT

THIS DRAWING IS A CONTROLLED DOCUMENT.		DWN BW	06 JAN 06	TE Connectivity	
		CHK JPM	06 JAN 06		
		APVD JPM	06 JAN 06		
		PRODUCT SPEC			
DIMENSIONS: mm		TOLERANCES UNLESS OTHERWISE SPECIFIED:		NAME KIT, PLUG CONNECTOR, GAIN, GPRB2 2mm SQ, AIRCRAFT DATA NETWORK	
0 PLC ±0.2		1 PLC ±0.2		SIZE	
2 PLC ±0.2		3 PLC ±		CAGE CODE	
4 PLC ±		ANGLES ±		DRAWING NO	
FINISH		FINISH		RESTRICTED TO	
MATERIAL		WEIGHT		A200779	
		CUSTOMER DRAWING		C-1877646	
		SCALE 2:1		SHEET 2 OF 2	
				REV 10	