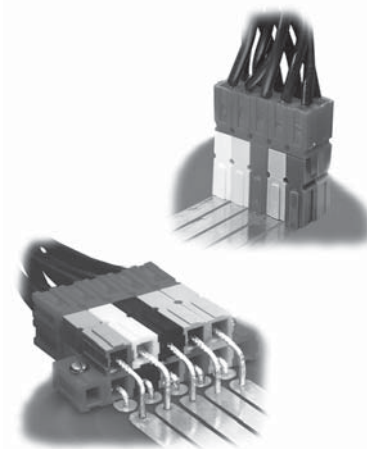



Anderson Power Products® printed circuit board (PCB) contact series, when utilized with the Powerpole® 15/45 connector housings, provides a reliable wire to printed circuit board connection. They are rated at 25 amps, 600 volts, AC/DC. This contact is available in both straight and right angle terminations for perpendicular and parallel mounting and is ideal for all applications that require high current connections to the PCB.

FEATURES

- **Straight & right angle terminals**
Flexibility of parallel or perpendicular mounting to the PCB
- **Tin plated copper contacts**
Minimal contact resistance at high currents
- **Fits standard housing & accessories**
Allows for configurations that can be color coded & polarized
- **Two level right angle contacts**
Dual level right angle powerpole assemblies provide high power density



PRODUCT SPECIFICATIONS

| | | | |
|--|-------------------------|---|---|
| Connector Model | 25A PCB | PCB traces | See temperature curve or contact the factory |
| Current rating for a single mated pair | 25 amps * | Housing material | Polycarbonate 94 V-0(Max. op. temp. = 105°C / 221°F) |
| Maximum operating voltage AC/DC | 600 volts | | Operating temp. = ambient temp. + temp. rise at current |
| Contact material | Tin plated copper alloy |  * See Temperature Rise Chart. Based on 0.002 in ² copper foil on PCB & 12AWG wire cross-section. | |
| PCB hole (inches) | .070 hole | | |
| PCB hole (mm) | 1.80 | | |

ORDERING INFORMATION

25 amp Right Angle PCB Contact*

| Part Number | Description | Contact Length in. | sq. mm |
|-------------|------------------|--------------------|--------|
| 1377G1 | Right Angle - LD | 0.70 | 17.8 |
| 1377G2 | Right Angle - LD | 0.40 | 10.2 |
| 1377G11 | Right Angle - LD | 0.70 | 17.8 |
| 1377G12 | Right Angle - LD | 0.40 | 10.2 |
| 1377G14 | Right Angle - LD | 0.18 | 4.6 |
| 1377G15 | Right Angle - LD | 1.02 | 25.9 |
| 1377G16 | Right Angle - LD | 0.72 | 18.3 |
| 1377G17 | Right Angle - LD | 0.88 | 22.4 |
| 1377G18 | Right Angle - LD | 0.58 | 14.7 |
| 1317G1 | Right Angle - HD | 0.70 | 17.8 |
| 1317G2 | Right Angle - HD | 0.40 | 10.2 |
| 1317G11 | Right Angle - HD | 0.70 | 17.8 |
| 1317G14 | Right Angle - HD | 0.18 | 4.6 |
| 1317G15 | Right Angle - HD | 1.02 | 25.9 |
| 1317G16 | Right Angle - HD | 0.72 | 18.3 |
| 1317G17 | Right Angle - HD | 0.88 | 22.4 |
| 1317G18 | Right Angle - HD | 0.58 | 14.7 |

25 amp Straight PCB Contact*

| Part Number | Description | Contact Length in. | sq. mm |
|-------------|------------------------|--------------------|--------|
| 1377G3 | Straight Terminal - LD | 2.16 | 54.9 |
| 1377G4 | Straight Terminal - LD | 1.7 | 43.2 |
| 1377G13 | Straight Terminal - LD | 1.11 | 28.2 |
| 1317G3 | Straight Terminal - HD | 2.16 | 54.9 |
| 1317G4 | Straight Terminal - HD | 2.16 | 43.2 |
| 1317G13 | Straight Terminal - HD | 1.11 | 28.2 |

Housings Only

| Part Number | Description |
|-------------|----------------|
| 1327 | Red housing |
| 1327G5 | Green housing |
| 1327G6 | Black housing |
| 1327G7 | White housing |
| 1327G8 | Blue housing |
| 1327G16 | Yellow housing |

housings only continued

| Part Number | Description |
|-------------|----------------|
| 1327G17 | Orange housing |
| 1327G18 | Gray housing |
| 1327G21 | Brown housing |
| 1327G22 | Pink housing |
| 1327G23 | Purple housing |

Accessories

| Part Number | Description |
|-------------|--------------------------------|
| 1399G9 | Red mounting wing |
| 1399G8 | Blue mounting wing |
| 1399G1** | Red short spacer with end hole |
| 1399G2** | Red long spacer |
| 1399G6** | Red short spacer without hole |
| 110G68 | PP15/45 retention clip |
| 114555P1 | Staple 1x1 (H x W) |
| 114555P2 | Staple 1x2 (H x W) |
| 114555P3 | Staple 1x3 (H x W) |
| 114555P7 | Staple 1x4 (H x W) |
| 114555P8 | Staple 1x6 (H x W) |
| 114555P5 | Staple 2x1 (H x W) |
| 114555P6 | Staple 2x2 (H x W) |
| 114555P9 | Staple 2x2 - long (H x W) |

* LD - low detent or HD - high detent

** Contact customer service for additional colors

Note: For additional colors please contact customer service.

HEADQUARTERS: 13 Pratts Junction Road, P.O. Box 579, Sterling, MA 01564 T:978-422-3600 F:978-422-3700

EUROPE: Rathealy Road, Fermoy Co. Cork, Ireland T:353-(0)25-32277 F:353-(0)25-32296

ASIA/PACIFIC: IDEAL Anderson Asia Pacific Ltd., Unit 922-928 Topsail Plaza, 11 On Sum Street, Shatin N.T., Hong Kong T:852-2636-0836 F:852-2635-9036

CHINA: IDEAL Anderson Technologies (Shenzhen) Ltd., Block A8 Tantou W. Ind. Par, Songgang Baoan District, Shenzhen, P.R. China 51810 T: 86-755-2768-2118 F: 86-755-2768-2218

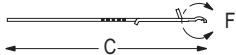
TAIWAN: IDEAL Anderson Asia Pacific Ltd., Taiwan Branch, 4F-2, No.116, Dadun 20th St., Situn District, Taichung City 407, Taiwan (R.O.C.) T: 886-4-2310-6451 F:886-4-2310-6460

www.andersonpower.com

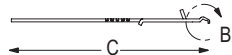
DIMENSIONS

Straight Terminals

| Part Number | -C- | | -E- | |
|-------------|------|------|------|------|
| | mm | in. | mm | in. |
| 1377G3 | 54.9 | 2.16 | 56.4 | 2.22 |
| 1377G4 | 43.2 | 1.70 | 44.7 | 1.76 |
| 1317G3 | 54.9 | 2.16 | 56.4 | 2.22 |
| 1317G4 | 43.2 | 2.16 | 44.7 | 1.76 |
| 1377G13 | 28.2 | 1.11 | 29.7 | 1.17 |
| 1317G13 | 28.2 | 1.11 | 29.7 | 1.17 |



Low Detent Contact, Straight Terminal



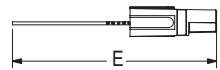
High Detent Contact, Straight Terminal



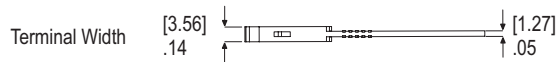
Low Detent Contact, Bent or Straight



High Detent Contact, Bent or Straight

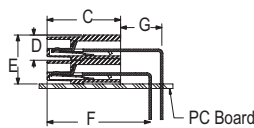
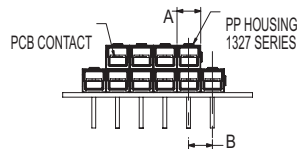


Straight Terminal Inside a Housing

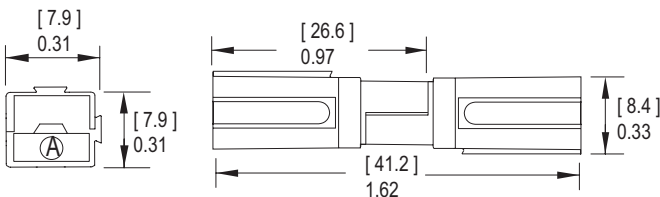


PCB Center Line

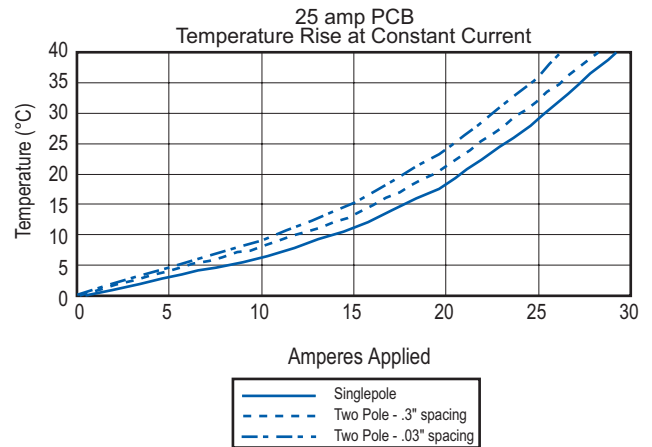
| -A- | -B- | -C- | -D- | -E- | -F- | -G- | |
|------|-----|------|------|------|-----|-----|-----|
| mm | in. | mm | in. | mm | in. | mm | in. |
| 7.9 | .31 | 7.9 | .31 | 24.7 | .97 | 8.4 | .33 |
| 16.3 | .64 | 34.5 | 1.36 | 13.7 | .54 | | |



Housing



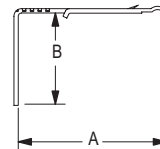
TEMPERATURE RISE CHART



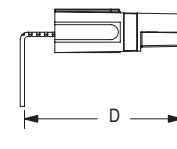
Note: Based on 0.002 in² copper foil on PCB & 12AWG wire cross-section.

Right Angle Contacts

| Part Number | -A- | | -B- | | -D- | |
|-------------|------|------|------|------|------|------|
| | mm | in. | mm | in. | mm | in. |
| 1377G1 | 36.8 | 1.46 | 17.8 | 0.70 | 38.6 | 1.52 |
| 1377G2 | 33.0 | 1.30 | 10.2 | 0.40 | 34.5 | 1.36 |
| 1377G11 | 29.0 | 1.14 | 17.8 | 0.70 | 30.7 | 1.21 |
| 1377G12 | 24.2 | 0.95 | 10.2 | 0.40 | 25.7 | 1.01 |
| 1377G14 | 33.0 | 1.30 | 4.6 | 0.18 | 34.5 | 1.36 |
| 1377G15 | 29.0 | 1.14 | 25.9 | 1.02 | 30.7 | 1.21 |
| 1377G16 | 24.1 | 0.95 | 18.3 | 0.72 | 25.4 | 1.00 |
| 1377G17 | 29.0 | 1.14 | 22.4 | 0.88 | 30.7 | 1.21 |
| 1377G18 | 25.4 | 1.00 | 14.7 | 0.58 | 27.2 | 1.07 |
| 1317G1 | 36.8 | 1.46 | 17.8 | 0.70 | 38.6 | 1.52 |
| 1317G2 | 33.0 | 1.30 | 10.2 | 0.40 | 34.5 | 1.36 |
| 1317G11 | 29.0 | 1.14 | 17.8 | 0.70 | 30.7 | 1.21 |
| 1317G14 | 33.0 | 1.30 | 4.6 | 0.18 | 34.5 | 1.36 |
| 1317G15 | 29.0 | 1.14 | 25.9 | 1.02 | 30.7 | 1.21 |
| 1317G16 | 24.1 | 0.95 | 18.3 | 0.72 | 25.4 | 1.00 |
| 1317G17 | 29.0 | 1.14 | 22.4 | 0.88 | 30.7 | 1.21 |
| 1317G18 | 25.4 | 1.00 | 14.7 | 0.58 | 27.2 | 1.07 |



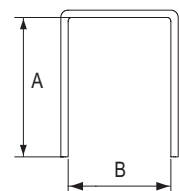
Right Angle Contact Without a Housing



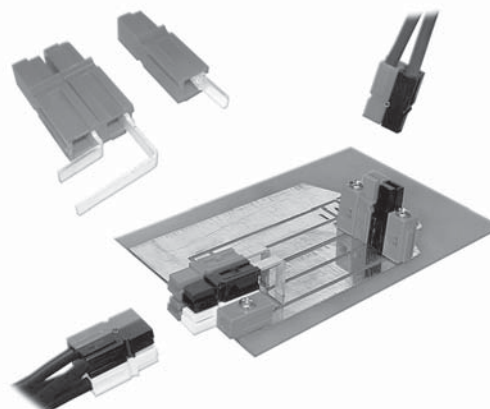
Right Angle Contact With a Housing

Staple

| Part Number | H x W | -A- | | -B- | |
|-------------|------------|------|-------|------|-------|
| | | mm | in. | mm | in. |
| 114555P1 | 1x1 | 12.0 | 0.472 | 6.0 | 0.236 |
| 114555P2 | 1x2 | 12.0 | 0.472 | 13.5 | 0.531 |
| 114555P3 | 1x3 | 12.0 | 0.472 | 21.5 | 0.846 |
| 114555P7 | 1x4 | 12.0 | 0.472 | 29.5 | 1.161 |
| 114555P8 | 1x6 | 12.0 | 0.472 | 45.5 | 1.791 |
| 114555P5 | 2x1 | 20.0 | 0.787 | 6.0 | 0.236 |
| 114555P6 | 2x2 | 20.0 | 0.787 | 13.5 | 0.531 |
| 114555P9 | 2x2 (long) | 23.0 | 0.905 | 13.5 | 0.531 |



Anderson Power Products High Current printed circuit board (PCB) contact series, when utilized with the Powerpole® 15/45 connector housings, provides a reliable wire to PCB connection. They are UL Recognized at 45 amps, AC or DC. The connector may be configured in 1 and 2 row configurations, in both vertical and right angle mounted terminations. This connector provides an ideal solution for applications that require high current connections to a PCB.



FEATURES

- **Current rating 45 amps**
Enables high current connections directly to the PCB
- **Vertical and right angle terminations**
Allows for design flexibility
- **High durability**
 - Rated up to 1,500 cycles (no load)
 - Under Load (Hot Plug 250 cycles @ 120V)
- **Offered in pre-assembled 1 and 2 row configurations (See Ordering Information)**
 - Reduces assembly costs of housings and contacts
 - Pre-assembled configurations prevent accidental separation of housings
- **Individual housings and contacts also sold separately**
 - Allows for customization of configurations
 - Allows for color coding of housings to wires for ease of manufacturing

PRODUCT SPECIFICATIONS

| | | | |
|---|---|--------------------------|----------------------------|
| UL Current Rating For Single Mated Pair | 45 amps (for others see rating curves)* | PCB Thickness - in. [mm] | 0.093 [2.4] - 0.125 [3.2] |
| Max Recommended Voltage - (per IEC 60950-1) | 150V (pollution degree 3) - 250V (pollution degree 2) | Contact Material | Tin plating copper alloy |
| Minimum Creepage | 2.8mm | Housing Material | Polycarbonate 94 V-0 rated |
| Voltage Drop For Mated Pair | ≤ 2.50 mV | | |
| Connector Mating Force For Mated Pair | 2 - 3 Lbf. | | |
| PCB Footprint | See following page | | |



* See Temperature Rise Chart

ORDERING INFORMATION

High Power Connector

| Part Number | Description |
|-------------|---|
| PP45PC12S | 1x2 vertical mount, short tail, black housing |
| PP45PC13S | 1x3 vertical mount, short tail, black housing |
| PP45PC12R | 1x2 horizontal, single row, right angle tail, black housing |
| PP45PC13R | 1x3 horizontal, single row, right angle tail, black housing |
| PP45PC21R | 2x1 horizontal, dual row, right angle tail, black housing |
| PP45PC22R | 2x2 horizontal, dual row, right angle tail, black housing |
| PP45PC23R | 2x3 horizontal, dual row, right angle tail, black housing |

High Power Contact

| Part Number | Description |
|-------------|--|
| 1335G1 | Vertical mount, short tail contact |
| 1336G1 | Horizontal (Bottom), right angle mount |
| 1337G1 | Horizontal (Top), right angle mount |

Housings Only

| Part Number | Description |
|-------------|----------------|
| 1327 | Red housing |
| 1327G5 | Green housing |
| 1327G6 | Black housing |
| 1327G7 | White housing |
| 1327G8 | Blue housing |
| 1327G16 | Yellow housing |
| 1327G17 | Orange housing |
| 1327G18 | Gray housing |
| 1327G21 | Brown housing |
| 1327G22 | Pink housing |
| 1327G23 | Purple housing |

Accessories

| Part Number | Description |
|-------------|--------------------------------|
| 1399G9 | Red mounting wing |
| 1399G8 | Blue mounting wing |
| 1399G1 | Red short spacer with end hole |
| 1399G2 | Red long spacer |
| 1399G6 | Red short spacer without hole |
| 110G68 | PP15/45 retention clip |
| 114555P1 | Staple 1x1 (H x W) |
| 114555P2 | Staple 1x2 (H x W) |
| 114555P3 | Staple 1x3 (H x W) |
| 114555P7 | Staple 1x4 (H x W) |
| 114555P8 | Staple 1x6 (H x W) |
| 114555P5 | Staple 2x1 (H x W) |
| 114555P6 | Staple 2x2 (H x W) |
| 114555P9 | Staple 2x2 - long (H x W) |

Note: For additional colors please contact customer service. For finger proof housings see page 18.

HEADQUARTERS: 13 Pratts Junction Road, P.O. Box 579, Sterling, MA 01564 T:978-422-3600 F:978-422-3700

EUROPE: Rathely Road, Fermoy Co. Cork, Ireland T:353-(0)25-32277 F:353-(0)25-32296

ASIA/PACIFIC: IDEAL Anderson Asia Pacific Ltd., Unit 922-928 Topsail Plaza, 11 On Sum Street, Shatin N.T., Hong Kong T:852-2636-0836 F:852-2635-9036

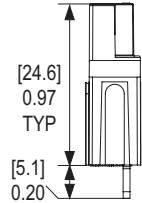
CHINA: IDEAL Anderson Technologies (Shenzhen) Ltd., Block A8 Tantou W. Ind. Par, Songgang Baoan District, Shenzhen, PR. China 51810 T: 86-755-2768-2118 F: 86-755-2768-2218

TAIWAN: IDEAL Anderson Asia Pacific Ltd., Taiwan Branch, 4F.-2, No.116, Dadun 20th St., Situn District, Taichung City 407, Taiwan (R.O.C.) T: 886-4-2310-6451 F:886-4-2310-6460

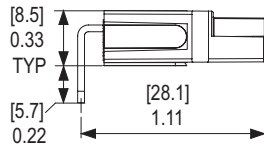
www.andersonpower.com

DIMENSIONS

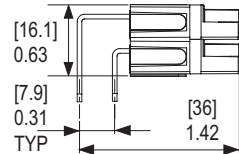
Straight Terminal



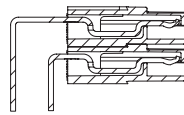
Right Angle Terminal



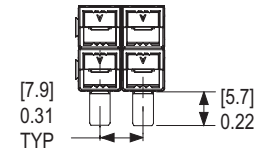
Right Angle Terminal 2 High



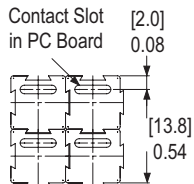
Typical Contact Orientation



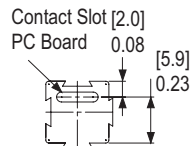
Blocked Housings 2 x 2



Footprint



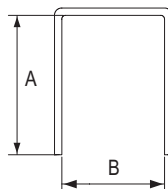
Multipole Vertical Mount Connector Typical Placement



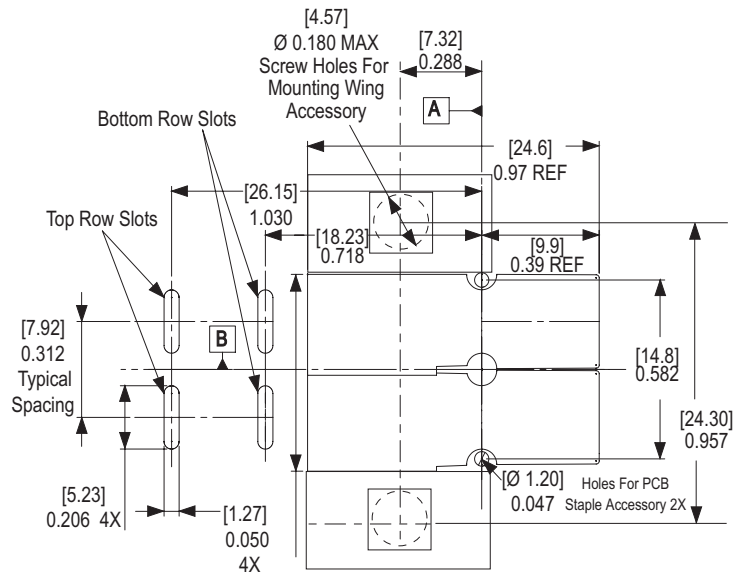
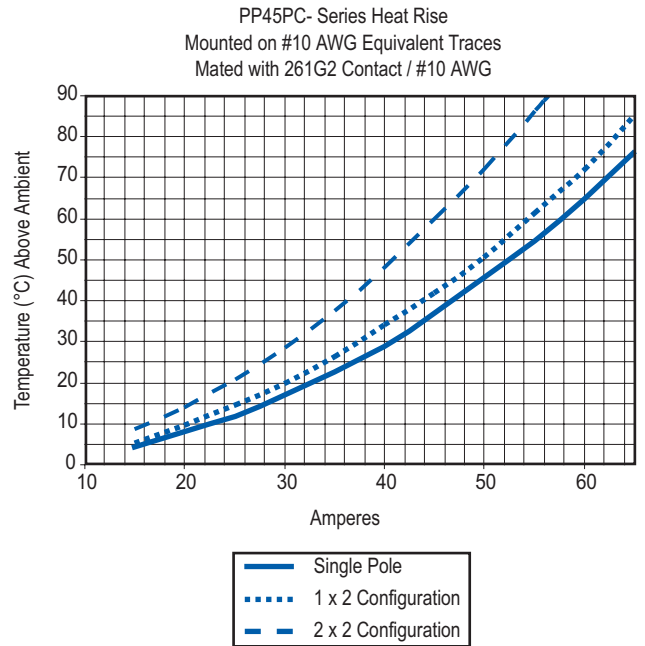
Singlepole Vertical Mount Connector Typical Placement

Staple

| Part Number | H x W | - A - mm in. | - B - mm in. |
|-------------|------------|-----------------|-----------------|
| 114555P1 | 1x1 | 12.0 0.472 | 6.0 0.236 |
| 114555P2 | 1x2 | 12.0 0.472 | 13.5 0.531 |
| 114555P3 | 1x3 | 12.0 0.472 | 21.5 0.846 |
| 114555P7 | 1x4 | 12.0 0.472 | 29.5 1.161 |
| 114555P8 | 1x6 | 12.0 0.472 | 45.5 1.791 |
| 114555P5 | 2x1 | 20.0 0.787 | 6.0 0.236 |
| 114555P6 | 2x2 | 20.0 0.787 | 13.5 0.531 |
| 114555P9 | 2x2 (long) | 23.0 0.905 | 13.5 0.531 |



TEMPERATURE RISE CHART



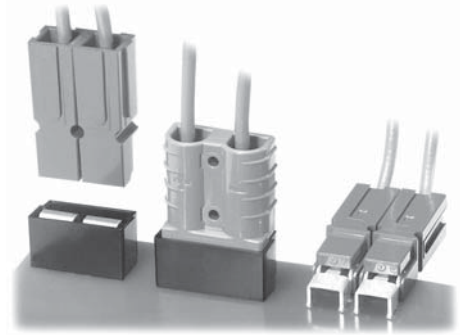
The innovative design of our Powerclaw® family of connectors for the power electronics market makes connecting and disconnecting a snap, enabling safe and convenient "hot swapping" during equipment maintenance without the need to power down. Compact and robust, they're rated at 55 amps for single pole and 50 amps for multipole connections.

Our mini horizontal and vertical Powerclaw contacts offer the same high current capacity as our original Powerclaws while providing the design engineer more options when board real estate is at a minimum.

* Contact factory for ratings

FEATURES

- Quick disconnect**
Avoids the need for unfastening ring type terminals
- Snap-On interface**
Ensures foolproof assembly and proper connection
- Vertical mini-powerclaw UL rated**
For current interruption (hot-plug) so that equipment can be hot swapped
- Anti-static packaging**
Meets electronics industry PCB requirements
- Vacuum packaging**
Prevents tarnishing of contacts during shelf life



PRODUCT SPECIFICATIONS

| Product Information | PP Powerclaw | SB® Powerclaw Powerclaw | Locking Mini-Powerclaw | Vertical & Horizontal |
|------------------------------------|---|---|---|---|
| Maximum Current* (per Tin Contact) | 55 amps | 50 amps | 55 amps | 55 amps |
| Maximum Voltage (AC or DC) | 600 volts | 600 volts | 600 volts | 600 volts |
| Housing Material | Polycarbonate | Polycarbonate | Polycarbonate | Polycarbonate for vertical guide housings |
| Contact Material | Copper Alloy | Copper Alloy | Copper Alloy | Copper Alloy |
| Contact Plating: Tin | 100 microinches Sn over 50 microinches Ni | 100 microinches Sn over 50 microinches Ni | 100 microinches Sn over 50 microinches Ni | 100 microinches Sn over 50 microinches Ni |
| Contact Plating: Silver | 100 microinches Ag over 50 microinches Ni | 100 microinches Ag over 50 microinches Ni | 100 microinches Ag over 50 microinches Ni | 100 microinches Ag over 50 microinches Ni |
| Mating/Unmating Forces | 7 lbf. Average (31 Newtons) | 15 lbf. Average (66 Newtons) | 7 lbf. Average (31 Newtons) | 4 lbf. per contact (17 Newtons) |
| Suggested Board Thickness | .150" max. | .150" max. | .150" max. | .250" max. |

* See Temperature Rise Chart

| High Power PCB Contacts | | High Power PCB Contacts | |
|-----------------------------------|---|-------------------------|--|
| Test Condition | Specification Tested to and Met: | Test Condition | Specification Tested to and Met: |
| Mechanical | | Environmental | |
| Sine Vibration | MIL-STD-1344, Method 2005, Test Condition I. | Temperature Cycling | MIL-STD-1344, Method 1003, Test Condition A. |
| Mechanical Shock | MIL-STD-1344, Method 2004, Test Condition I. | Humidity | MIL-STD-1344, Method 3001, Type 1. |
| Mating Force | APP Specification, 7 lbf. average mating force. | Flammability | |
| Durability | 10,000 cycles, APP Specification | PP-, LP-, SB-series | UL94 V-0 |
| Electrical | | | |
| Temperature Rise at rated current | UL1977 | | |
| Dielectric Voltage | MIL-STD-1344, Method 3001, Type 1. | | |
| Withstand | Type 1. | | |
| Contact Resistance | MIL-STD-1344, Method 3004, Type 1 | | |



HEADQUARTERS: 13 Pratts Junction Road, P.O. Box 579, Sterling, MA 01564 T:978-422-3600 F:978-422-3700

EUROPE: Rathely Road, Fermoy Co. Cork, Ireland T:353-(0)25-32277 F:353-(0)25-32296

ASIA/PACIFIC: IDEAL Anderson Asia Pacific Ltd., Unit 922-928 Topsail Plaza, 11 On Sum Street, Shatin N.T., Hong Kong T:852-2636-0836 F:852-2635-9036

CHINA: IDEAL Anderson Technologies (Shenzhen) Ltd., Block A8 Tantou W. Ind. Par, Songgang Baoan District, Shenzhen, P.R. China 51810 T: 86-755-2768-2118 F: 86-755-2768-2218

TAIWAN: IDEAL Anderson Asia Pacific Ltd., Taiwan Branch, 4F.-2, No.116, Dadun 20th St., Situn District, Taichung City 407, Taiwan (R.O.C.) T: 886-4-2310-6451 F:886-4-2310-6460

www.andersonpower.com

ORDERING INFORMATION

Standard Powerclaw

| Position Definition | PC | XXX | X | XX |
|---------------------|-------------|-----------|-----------|-------------------------|
| | (Powerclaw) | (Color) | (Plating) | (Housing) |
| | | BLK-Black | T-Tin | PP-Powerpole 75 |
| | | RED-Red | S-Silver | LP-Locking Powerpole 75 |
| | | BLU-Blue | | SB-SB50 |
| | | WHT-White | | |
| | | GRA-Gray | | |
| | | GRN-Green | | |

Example: Blue 75 locking Powerclaw with tin plating (PC-BLU-T-LP)

Note: For additional colors please contact customer service

Individual Contacts and Guide Housings*

| Part No. | Description |
|-----------|---|
| PC5930S | Std PC horizontal mount contact – Silver (Ag) |
| PC5930T | Std PC horizontal mount contact – Tin (Sn) |
| PC5933T | Mini-PC vertical contact – Tin (Sn) |
| PC5933S | Mini-PC vertical contact – Silver (Ag) |
| PC5934T | Mini-PC horizontal contact – Tin (Sn) |
| PC5934S | Mini-PC horizontal contact – Silver (Ag) |
| PC-HSG-SB | Guide housing for SB50 (Black) |
| PC-HSG-PP | Guide housing for PP75 (Black) |

* For non-ESD bulk packaged product, add -BK to part number when ordering.

Packaging Quantity

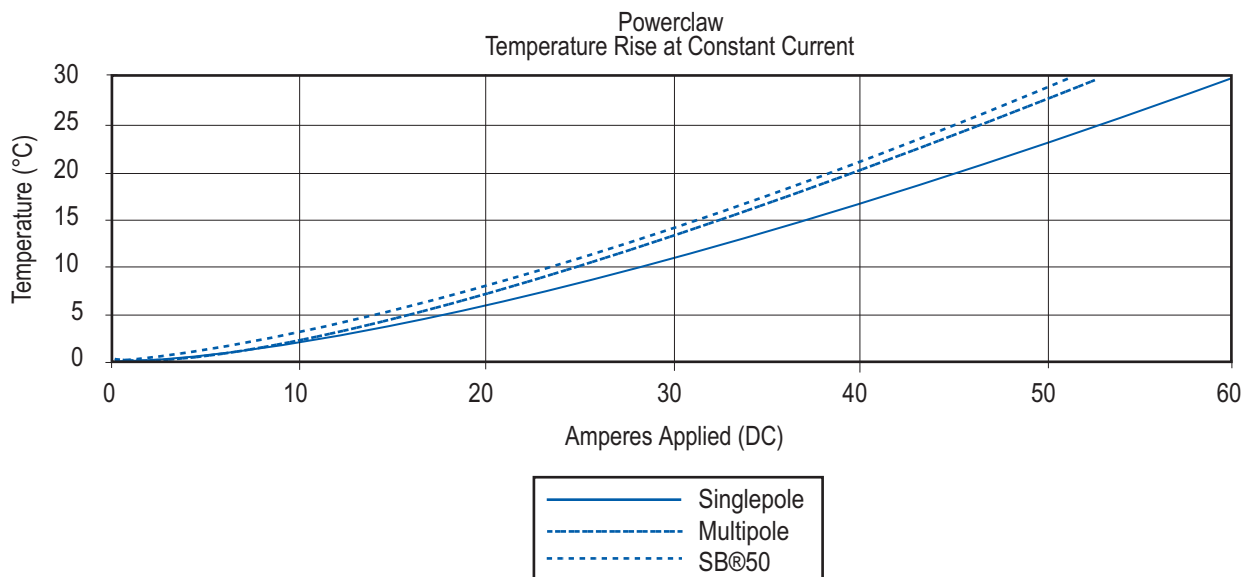
APP's Powerclaw® contacts and connectors are packaged in ESD plastic and foam. This prevents our contacts and connectors from carrying any electrostatic charge that could damage ICs and other sensitive components on a PC board during assembly. The vacuum-sealed package also prevents tarnishing or adverse environmental reactions to occur on the contact. Contacts and housings are also available in bulk quantities, packaged in non-ESD cartons.

| Packaging | Quantity |
|-------------------------|--------------------|
| PP Powerclaw | 20 per bag |
| Locking PP Powerclaw | 20 per bag |
| SB Powerclaw | 10 per bag |
| Mini-Powerclaw contacts | 20 per bag |
| Guide Housings | 10 per bag or bulk |

TEMPERATURE RISE CHART

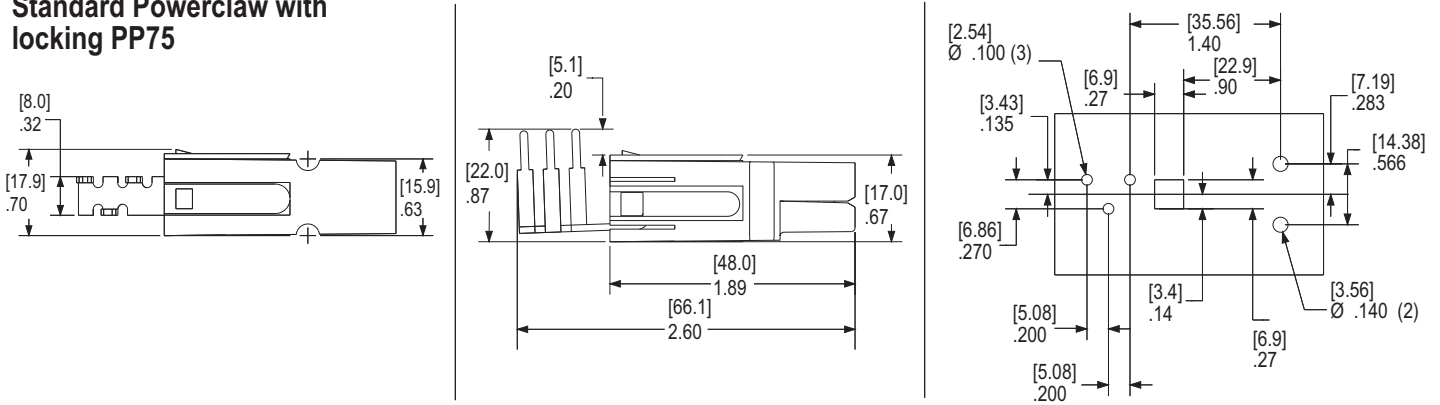
Temperature Rise at Constant Currents

Powerclaw® Tested in Accordance with EIA 364-70, No enclosure, 25+/-5 deg. C. ambient (#8 AWG Foil on Board Side, #6 AWG conductor on wire side, Contact Cat. No. 5900). Temperature Rise of Contact at exit from Housing Interface (No Air Flow over Test Loop).

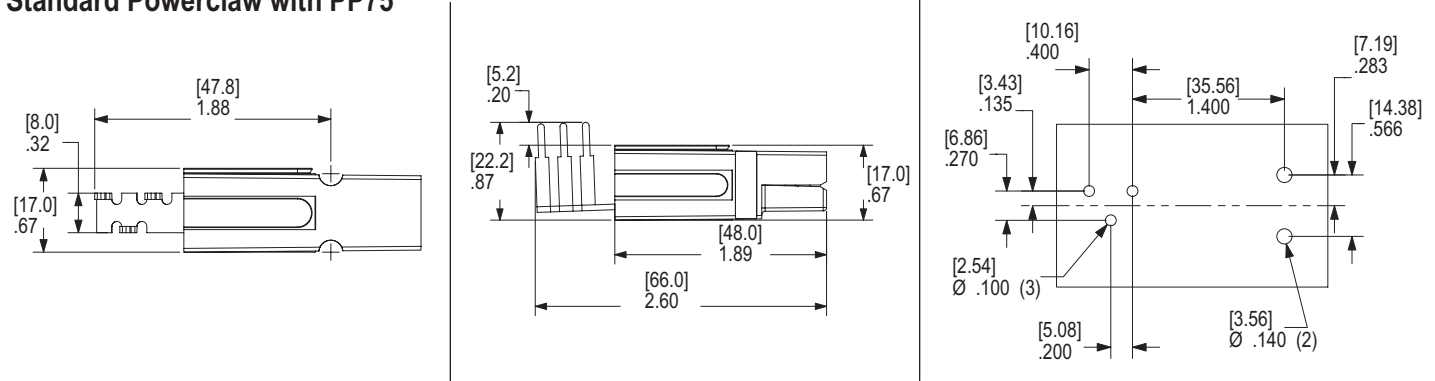


STANDARD POWERCLAW DIMENSIONS

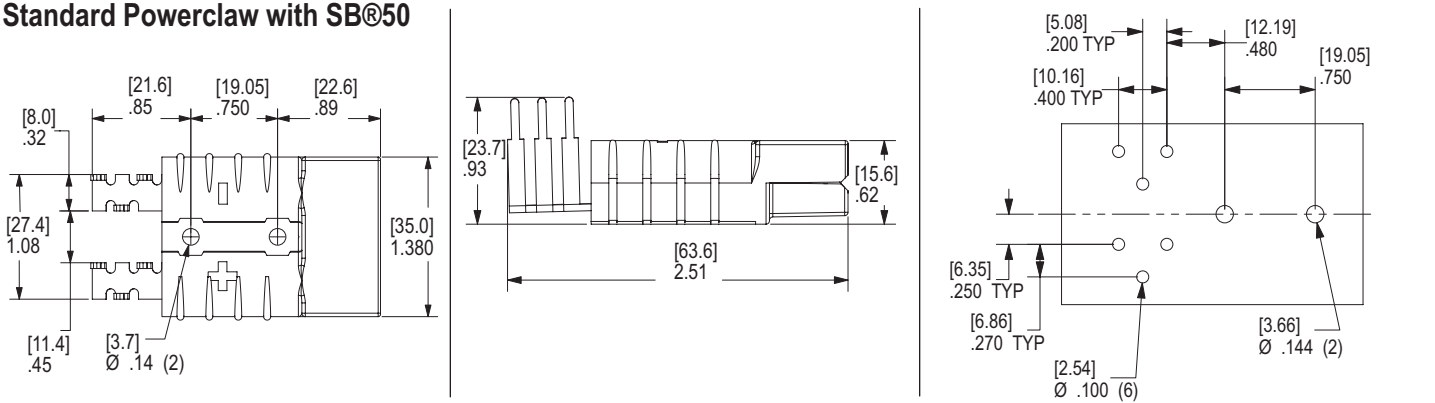
Standard Powerclaw with locking PP75



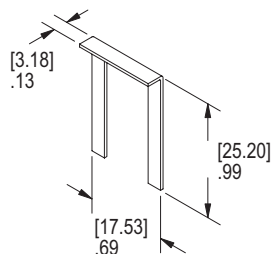
Standard Powerclaw with PP75



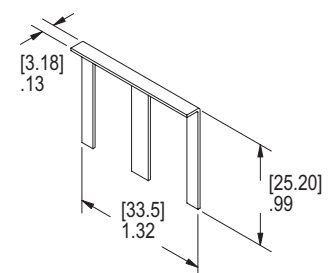
Standard Powerclaw with SB®50



Staple for single powerpole Part Number: PCSTAPLE-1

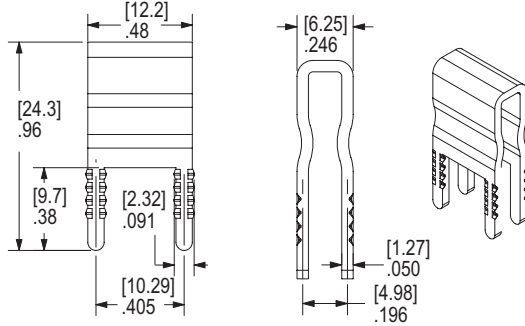


Staple for double powerpole Part Number: PCSTAPLE-2

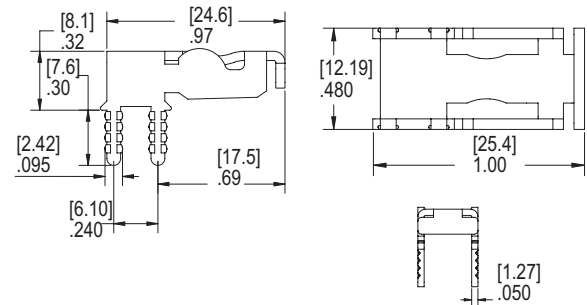


MINI-POWERCLAW DIMENSIONS

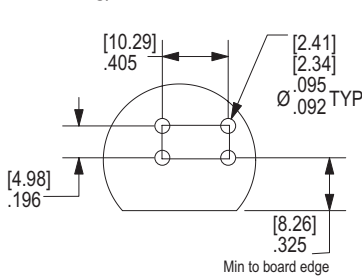
Vertical Powerclaw



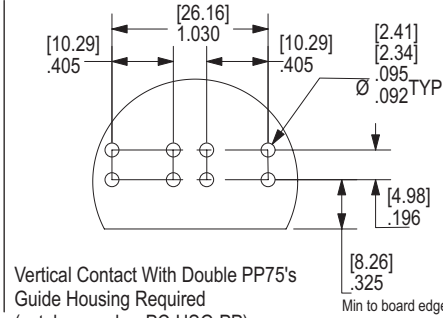
Horizontal Powerclaw



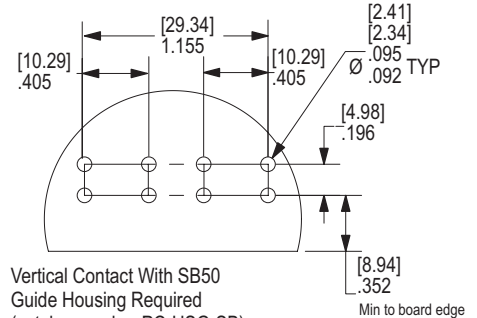
Vertical PCB Placement - Hole Configuration (with or without housing)



Vertical Contact With Single PP75 Guide Housing NOT Required

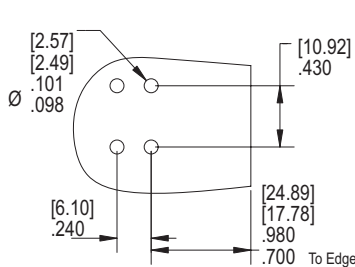


Vertical Contact With Double PP75's Guide Housing Required (catalog number PC-HSG-PP)

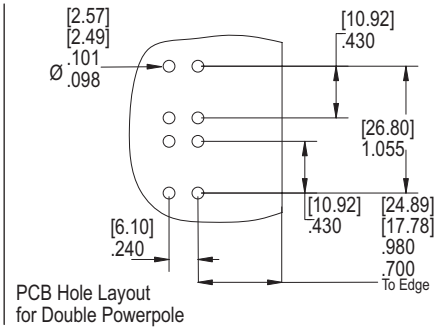


Vertical Contact With SB50 Guide Housing Required (catalog number PC-HSG-SB)

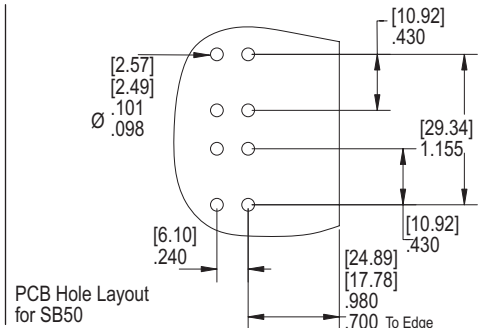
Horizontal PCB Placement - Hole Configuration



PCB Hole Layout for Singlepole Powerpole

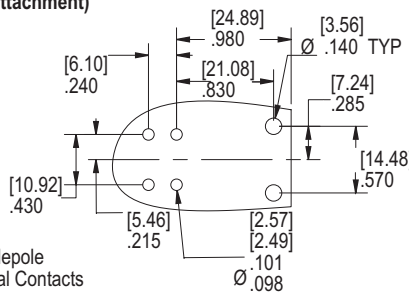


PCB Hole Layout for Double Powerpole

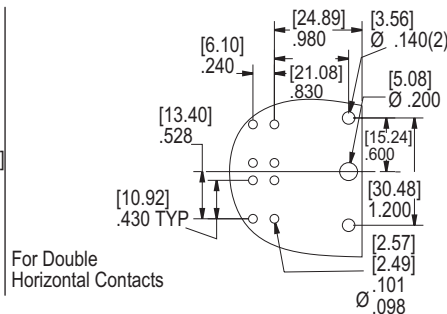


PCB Hole Layout for SB50

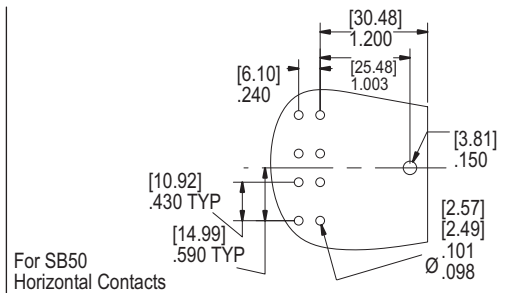
Mated Horizontal Contacts (board attachment)



For Singlepole Horizontal Contacts



For Double Horizontal Contacts



For SB50 Horizontal Contacts

Mouser Electronics

Authorized Distributor

Click to View Pricing, Inventory, Delivery & Lifecycle Information:

[Anderson Power Products:](#)

[1317G16](#) [1317G1-BK](#) [1317G2-BK](#) [1317G3-BK](#) [1377g14](#)