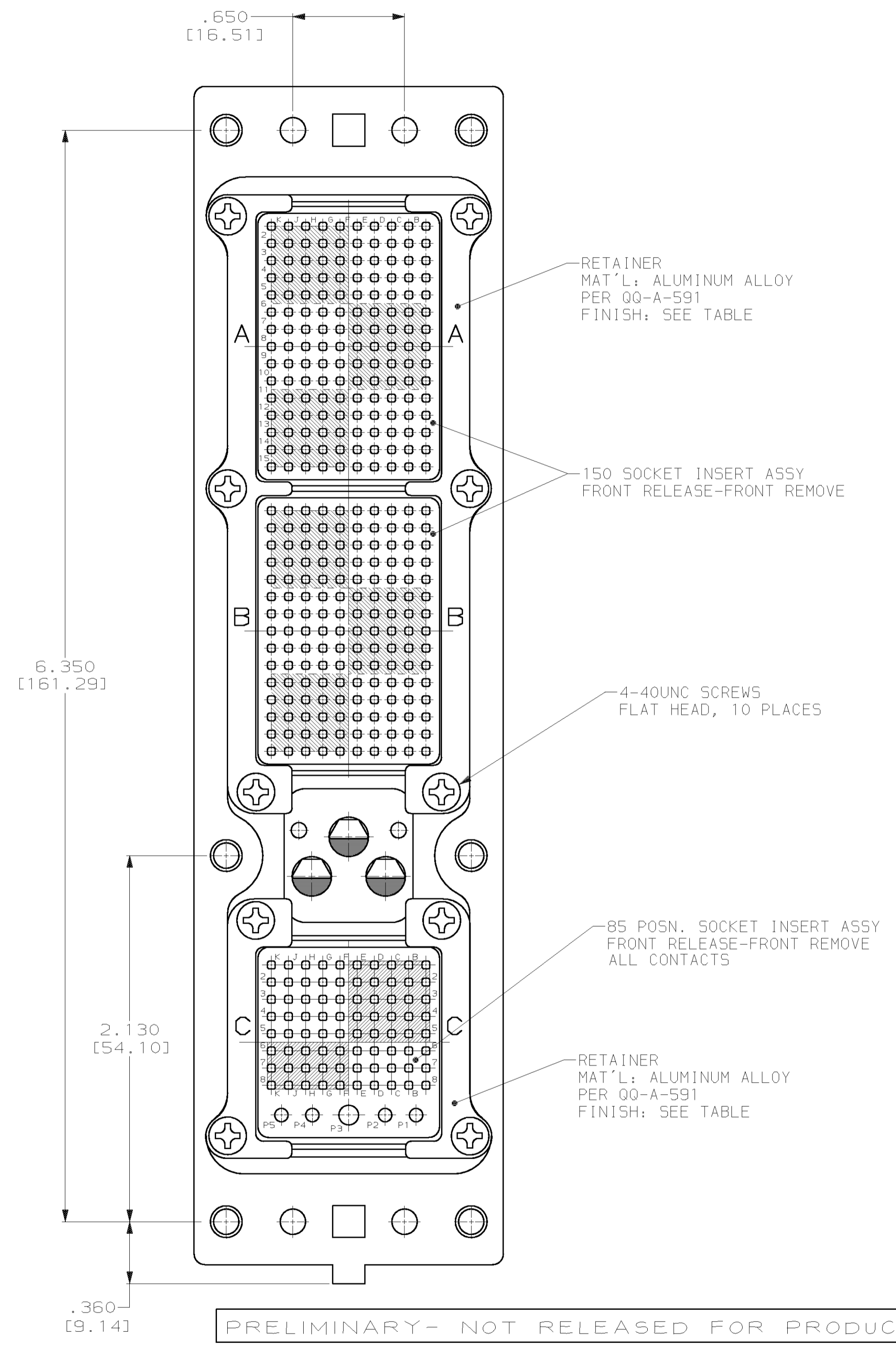
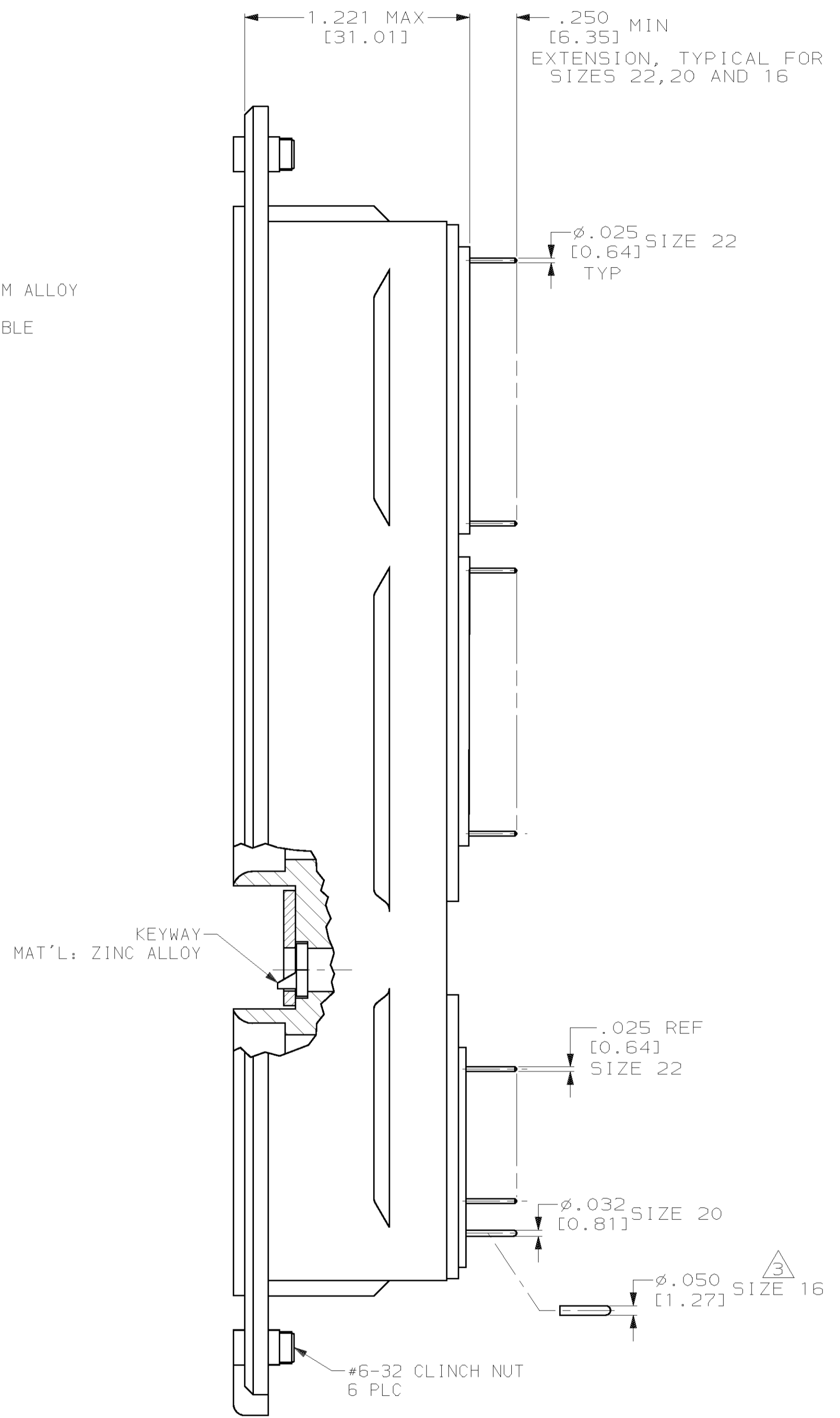


SHELL
 MAT'L: ALUMINUM ALLOY
 PER QQ-A-591
 FINISH: SEE TABLE



PRELIMINARY - NOT RELEASED FOR PRODUCTION

CHROMATE COATING PER MIL-C-5541, CLASS 1A	"00"	1218681-2
ENI PER MIL-C-26074	"01"	1218681-1
SHELL & RETAINER PLATE FINISH	KEYING POSITION	PART NUMBER

- CONNECTOR IS SUPPLIED WITH CONTACTS LOADED AS SHOWN.
 - KEYING SHOWN IN POSITION "01" FOR REF ONLY, KEYING POSITION PER TABLE. FOR POSITION "00" KEYING HARDWARE SHIPPED UNASSEMBLED.
- 3 SHOWN OUT OF LOCATION FOR DIMENSIONING ONLY.

DIMENSIONS:		TOLERANCES UNLESS OTHERWISE SPECIFIED:		APPROVED:		DATE:	
INCHES (mm)		0 PLC	±	OWN	C.C. THOMAS	2/24/00	
		1 PLC	±	CHK	S. GLATFELTER	2/24/00	
		2 PLC	±	APP'D	S. GLATFELTER	2/24/00	
		3 PLC	±.010 [0.25]	NAME	S. GLATFELTER		
		4 PLC	±	PRODUCT SPEC			
		ANGLES	±	APPLICATION SPEC			
MATERIAL	FINISH	WEIGHT		SIZE	CAGE CODE	DRAWING NO	RESTRICTED TO
SEE CALLOUTS	SEE CALLOUTS			A1	00779	1218681	
CUSTOMER DRAWING		SCALE	2:1	SHEET	1	OF	1
		REV	B				