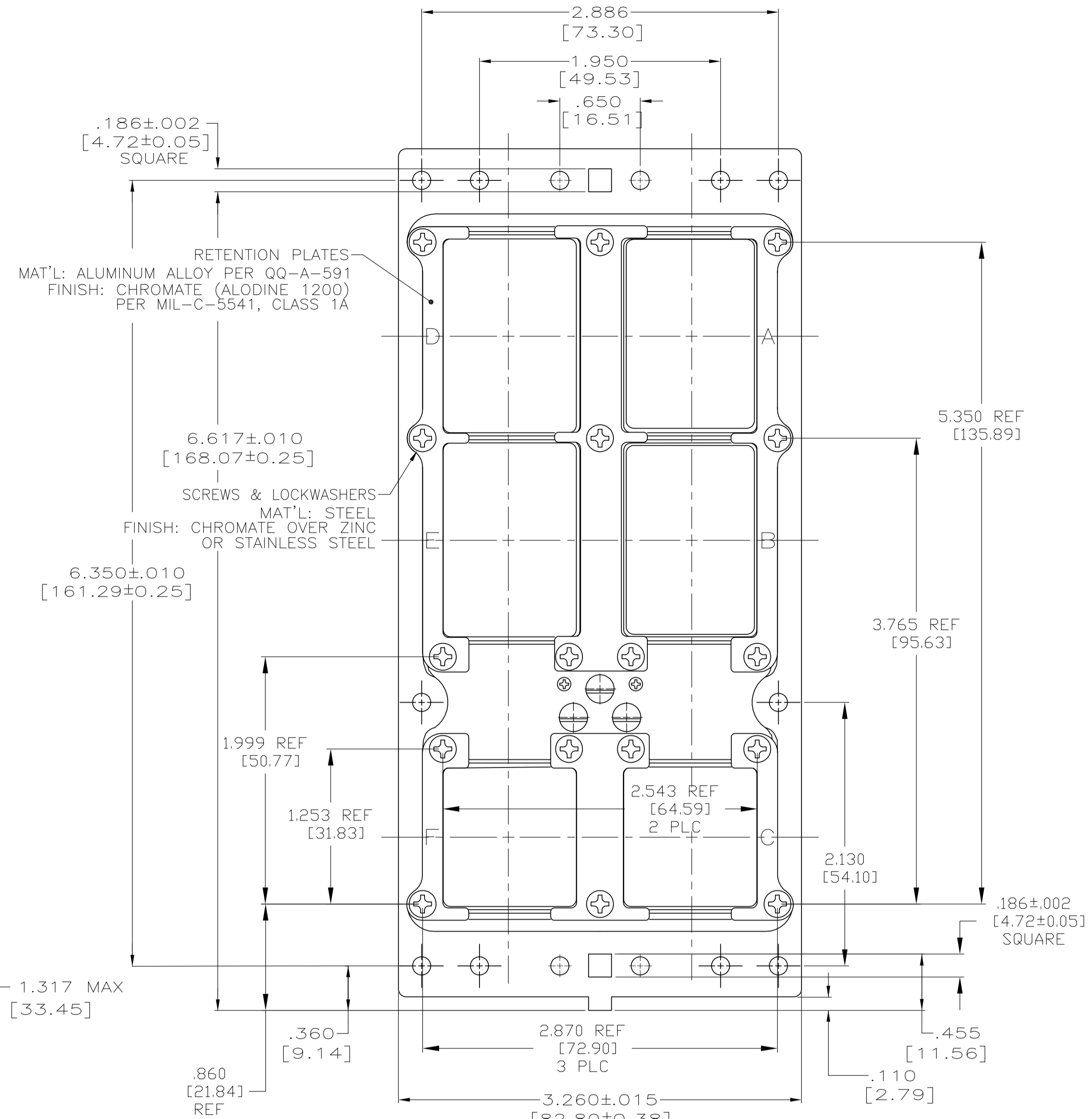
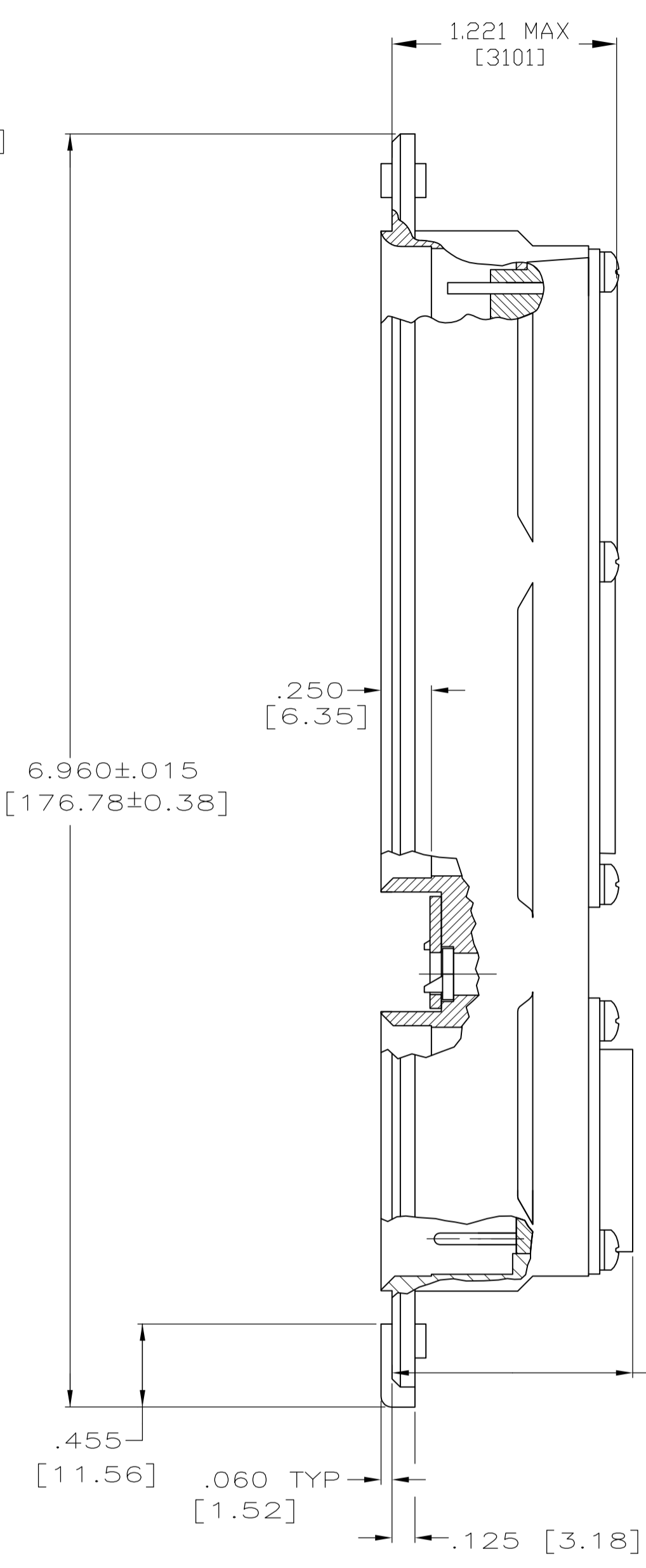
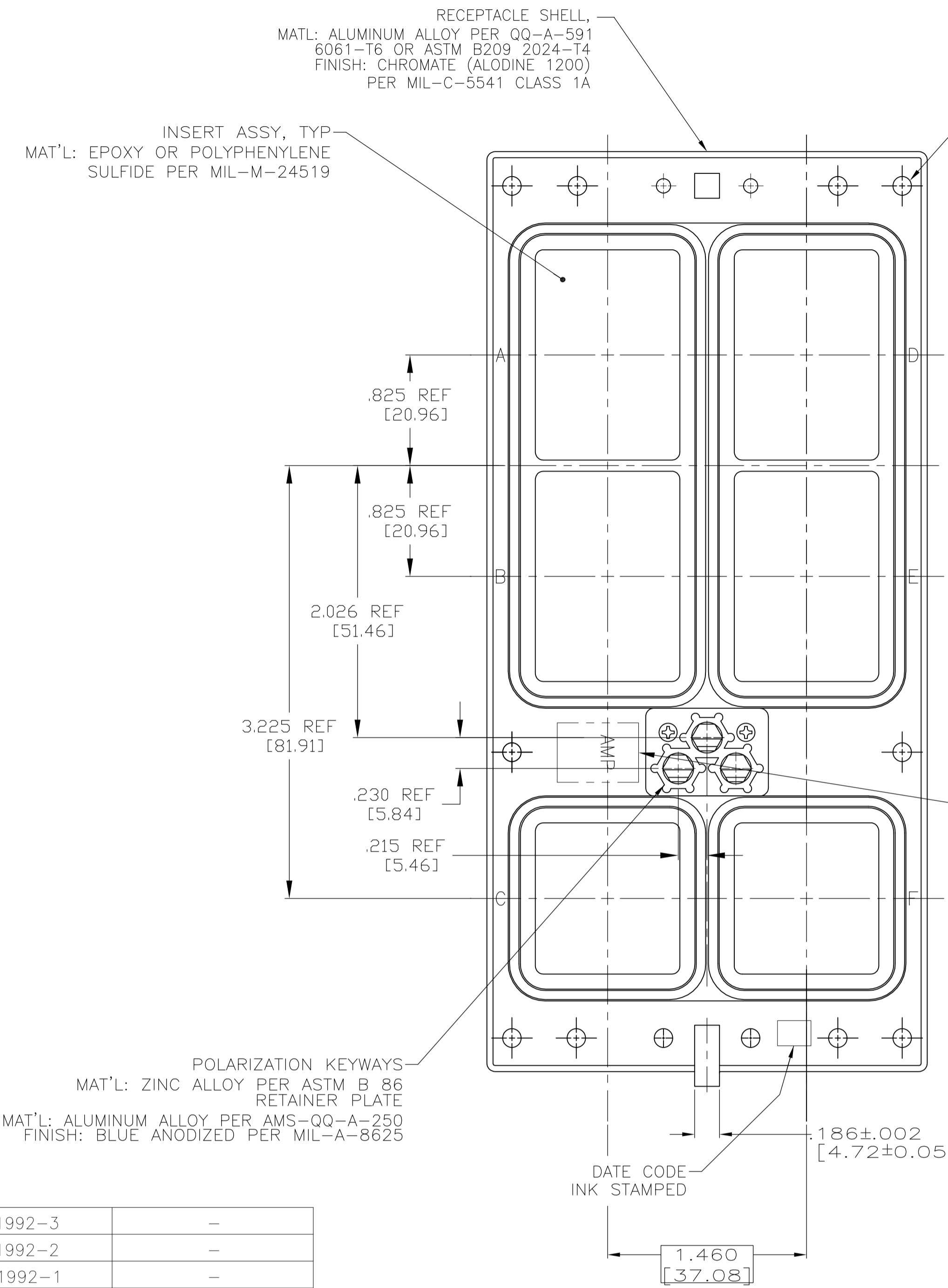


REVISIONS				
P	LTR	DESCRIPTION	DATE	OWN
L	REV PER ECO	17-007041	5-16-17	CT



- CONTACTS ARE SHOWN IN POSITION FOR ILLUSTRATION ONLY. FOR SHIPMENT CONTACTS ARE INCLUDED IN A CONTAINER WITHIN THE CONNECTOR PACKAGE. COAX CONTACTS ARE NOT SUPPLIED AND MUST BE ORDERED SEPARATELY.
- ALL DIMENSIONS PER ARINC 600 SPECIFICATIONS.
- POLARIZING KEYS SHOWN IN POSITION 01 FOR ILLUSTRATION ONLY. CONNECTORS SHIPPED WITH KEYING PER ORDERING INSTRUCTIONS. CONTACT INSERTS AS SHOWN FOR ILLUSTRATION ONLY. SEE TABLE FOR DISCRIPTIVE NUMBER.
- FRONT RELEASE FEATURE PERTAINS TO SIGNAL INSERTS ONLY.
- TE LOGO APPEARS IN THIS APPROXIMATE LOCATION ON MACHINED FROM BILLET SHELLS.
- ASSEMBLY SHOWN WITH DIE CAST SHELL. ASSEMBLIES WITH MACHINED SHELLS MAY VARY SLIGHTLY IN APPEARANCE.

2-211992-3	-
2-211992-2	-
2-211992-1	-
2-211992-0	-
1-211992-9	-
1-211992-8	-
1-211992-7	-
1-211992-6	-
1-211992-5	-
1-211992-4	-
1-211992-3	NIC66J33FA00CA1
1-211992-2	-
1-211992-1	NIC66J31FA00CA1
1-211992-0	-
211992-9	-
211992-8	-
211992-7	NIC66J31FA27FA1
211992-6	NIC66J31FA03FA1
211992-5	NIC66J31FA01FH0
211992-4	NIC66J31FA01FF0
211992-3	NIC66J32FA00FA1
211992-2	-
211992-1	NIC66J31FA01FA1

PART NUMBER	DESCRIPTIVE NUMBER
-	-
-	-
-	-
-	-
-	-
-	-
-	-
-	-
-	-
-	-
-	-
-	-
-	-
2-211992-4	NIC66J31FA01FJ0

CONTACTS	CONTACTS
.025 SQUARE FRONT RELEASE #22 CONTACTS	.025 ROUND FRONT RELEASE #22 CONTACTS
3	3
2	2
1	1
NUMBER OF WRAPS	MIN POST EXTENSION FROM REAR OF INSERT
AMP PART NUMBER	AMP PART NUMBER

PRELIMINARY NOT RELEASED FOR PRODUCTION

THIS DRAWING IS A CONTROLLED DOCUMENT.

DIMENSIONS: INCHES

TOLERANCES UNLESS OTHERWISE SPECIFIED:
0.1 PLC ± -
1.1 PLC ± -
2.1 PLC ± -
3.1 PLC ± .005 [0.13]
4.1 PLC ± -
ANGLES ± -

MATERIAL: SEE CALLOUTS

FINISH: SEE CALLOUTS

WEIGHT: 0.000000

CUSTOMER DRAWING

DIN C.C.THOMAS 11-27-95
CHK: R.GROSS 4-11-96
APP'D: R.GROSS 4-11-96
NAME: NAME
APPLICATION SPEC
PRODUCT SPEC

SIZE: A1
CASE CODE: 00779
DRAWING NO: 211992
RESTRICTED TO: -

SCALE: 1:1 SHEET: 1 OF 1 REV: L

TE Connectivity
CONNECTOR ASSY, SIZE 3
CLASS A, RCPT, ARINC 600
FRONT RELEASE

Mouser Electronics

Authorized Distributor

Click to View Pricing, Inventory, Delivery & Lifecycle Information:

[TE Connectivity:](#)

[1-211992-8](#)