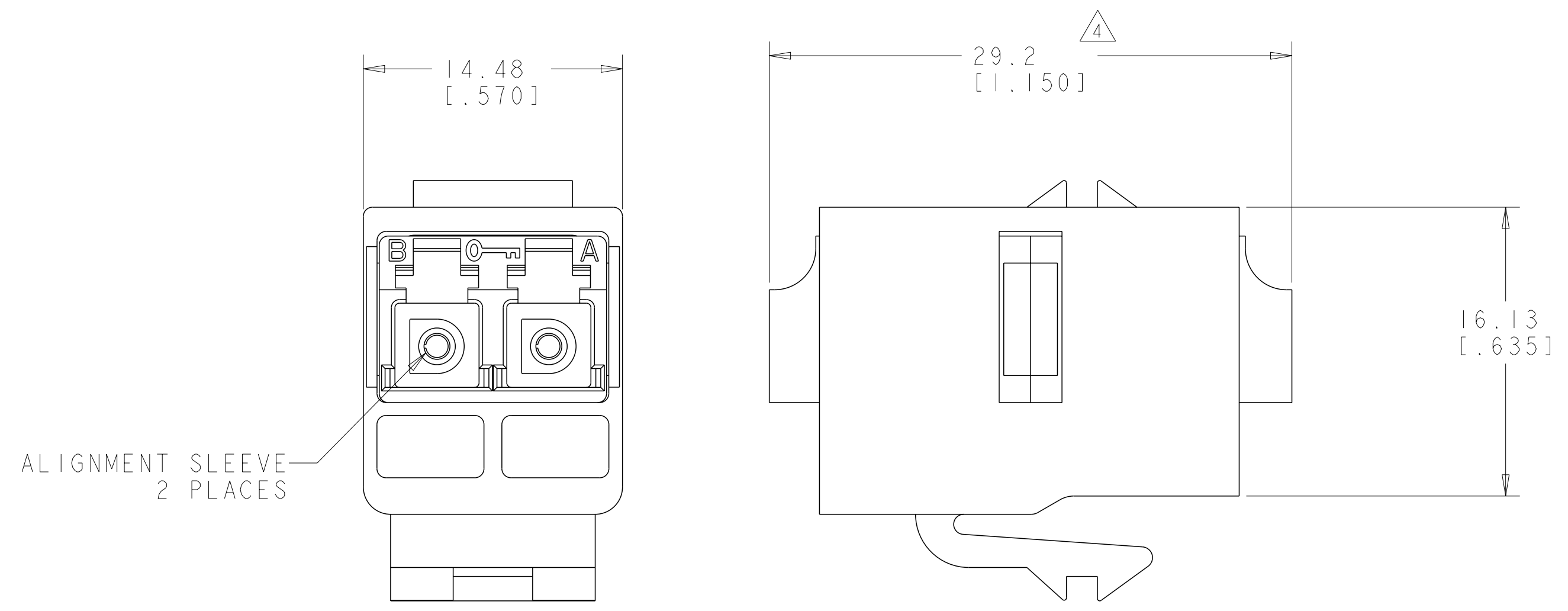
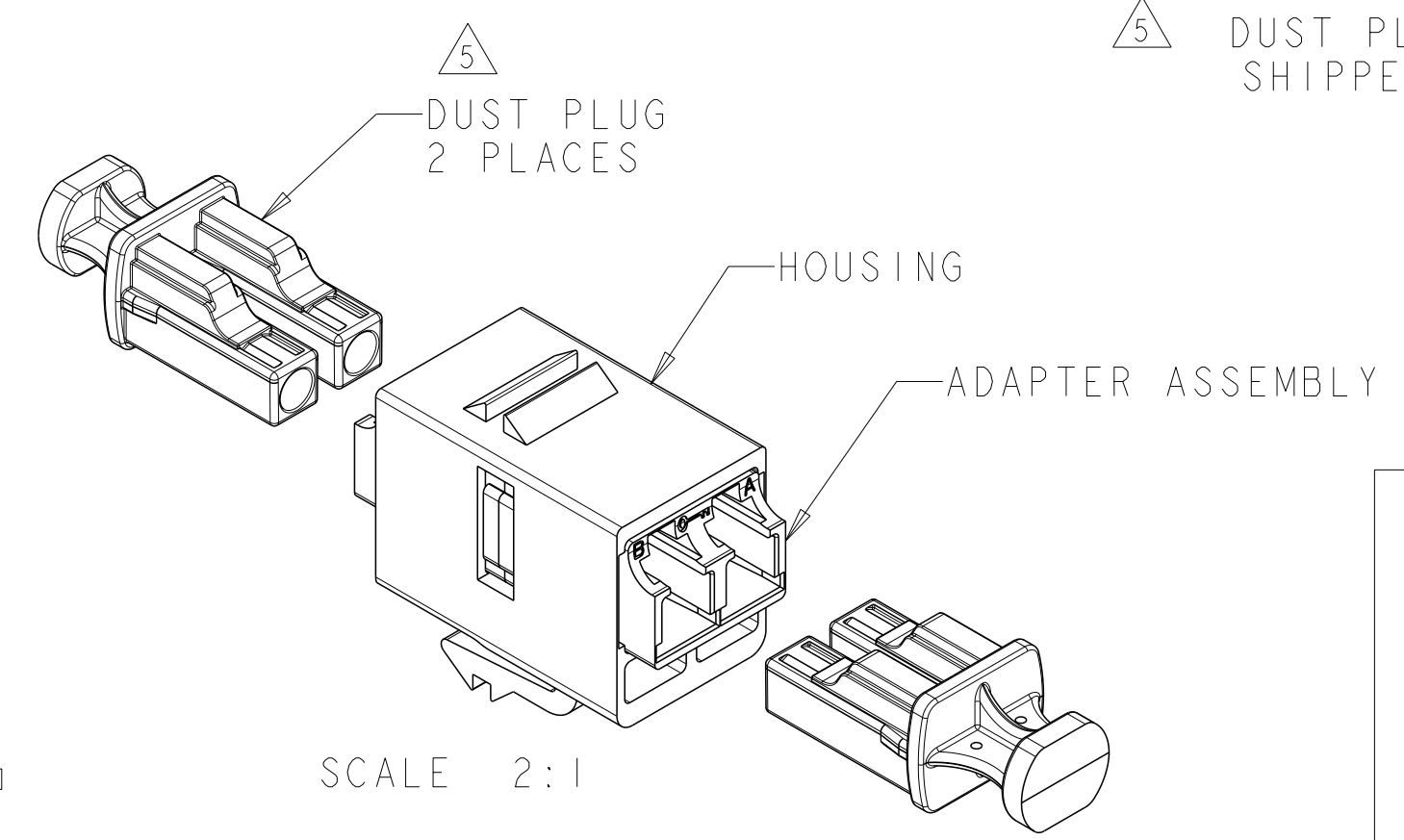
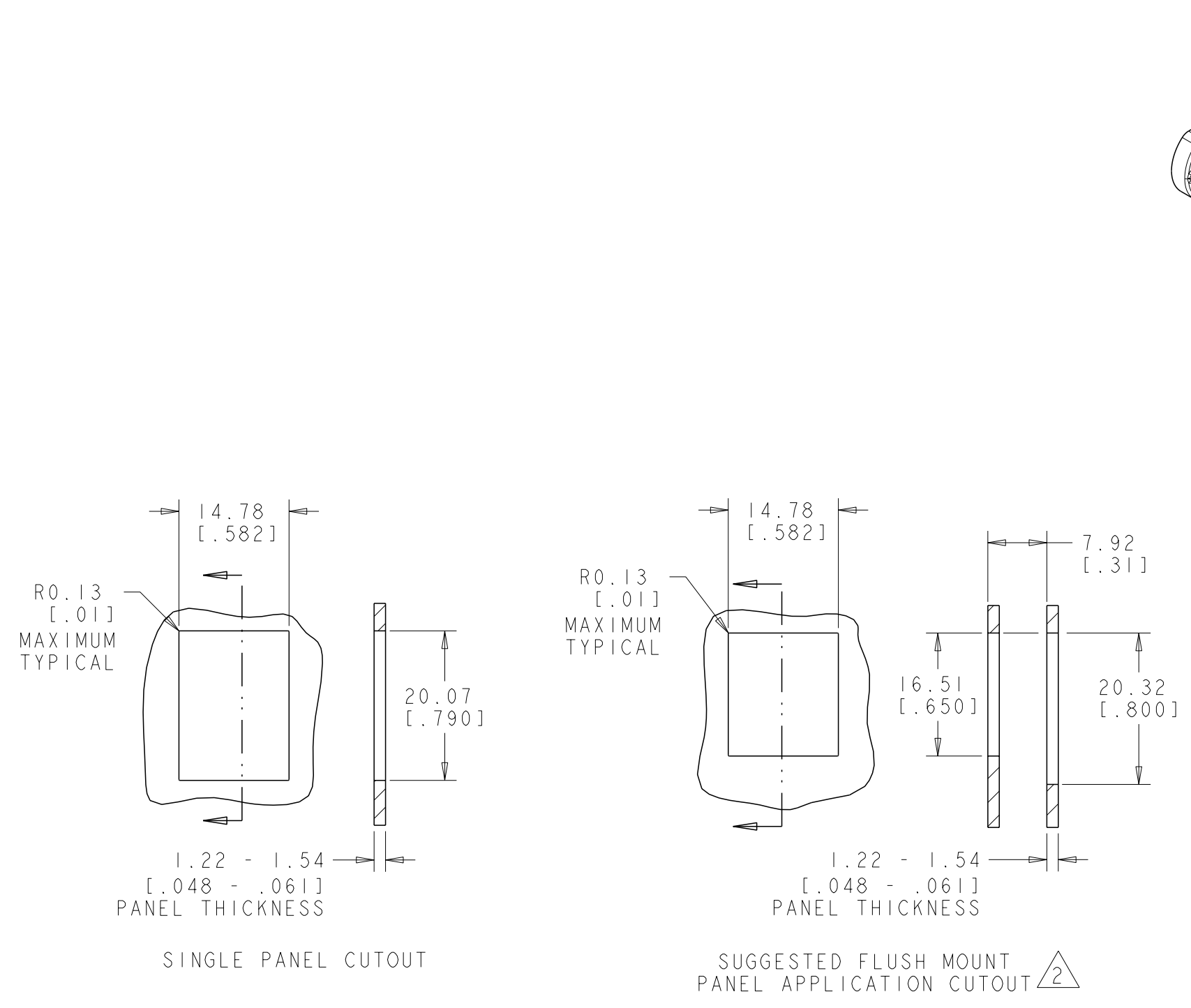


THIS DRAWING IS UNPUBLISHED. RELEASED FOR PUBLICATION 20
 © COPYRIGHT 20 BY - ALL RIGHTS RESERVED.

REVISIONS				
P	LTR	DESCRIPTION	DATE	APVD
B		REV; 40026011MCO	04MAR2016	GG TE



- △1 MATERIAL:
 HOUSING - POLYPHENYLENE OXIDE, 94V-0 RATED. SEE TABLE FOR COLOR.
 ADAPTER ASSEMBLY - HOUSINGS - THERMOPLASTIC, PPE-PS*, SEE TABLE FOR COLOR
 ALIGNMENT SLEEVES - CERAMIC
 DUST PLUGS: THERMOPLASTIC ELASTOMERS*
 *UL 94V-0 RATED AT QUALIFYING THICKNESS
- △2 THESE TWO SUGGESTED CUTOUT OPENINGS ARE USED IN TANDEM WITH DUAL FRONT AND BACK CUTOUTS.
- △3 PACKAGED ONE ASSEMBLY PER POLYBAG.
- △4 DIMENSION APPLIES WITH DUST PLUGS REMOVED.
- △5 DUST PLUGS SHOWN NOT ASSEMBLED BUT SHIPPED ASSEMBLED TO DUPLEX LC ADAPTER.



PACKAGE	COLOR	PART NUMBER
	BLACK	1-1933422-1
	SLATE	1-1933422-0
	ORANGE	1933422-9
	VIOLET	1933422-8
	BROWN	1933422-7
	AQUA	1933422-6
	ROSE	1933422-5
	BLUE	1933422-4
	GREEN	1933422-3
	YELLOW	1933422-2
	RED	1933422-1

THIS DRAWING IS A CONTROLLED DOCUMENT.

DWN J MCNEAL 02OCT2007
 CHK G BOWMAN 02OCT2007
 APVD G BOWMAN 02OCT2007

DIMENSIONS: MM [INCHES]

TOLERANCES UNLESS OTHERWISE SPECIFIED:
 0 PLC ±
 1 PLC ±
 2 PLC ±
 3 PLC ±
 4 PLC ±
 ANGLES ±
 FINISH -

MATERIAL: △1

PRODUCT SPEC -
 APPLICATION SPEC -
 WEIGHT -

NAME ADAPTER, DUPLEX, LC, SECURE, SL

SIZE A2 CAGE CODE - DRAWING NO. 1933422 RESTRICTED TO -

CUSTOMER DRAWING SCALE 4:1 SHEET 1 OF 1 REV B

STE TE Connectivity

Mouser Electronics

Authorized Distributor

Click to View Pricing, Inventory, Delivery & Lifecycle Information:

[TE Connectivity:](#)

[1933422-3](#)