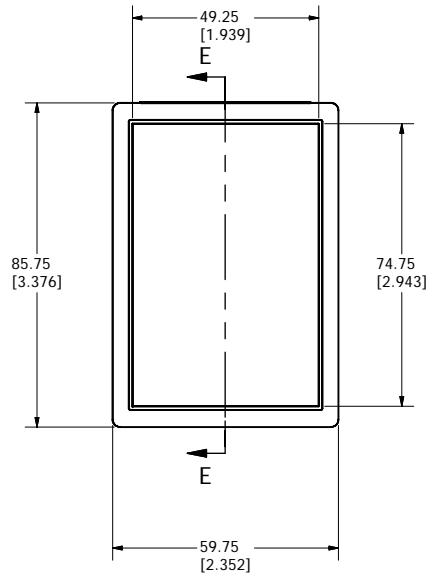
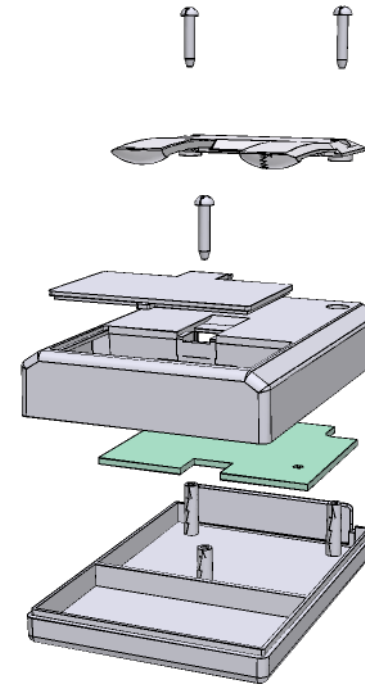
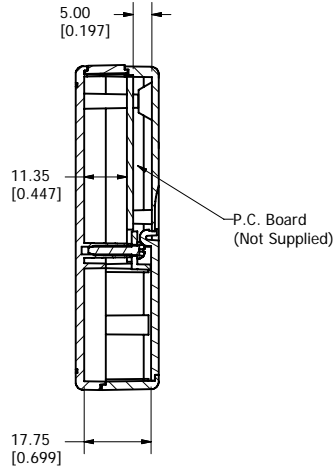


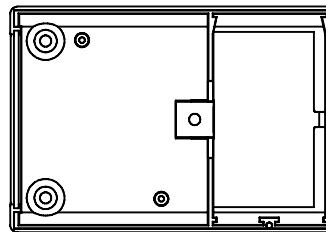
Top View of Assembly



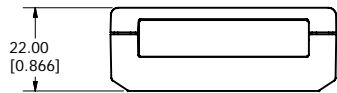
SECTION E-E (Side Inside Assembly)



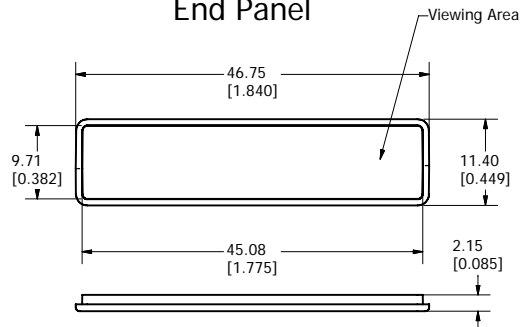
Inside Bottom Cover



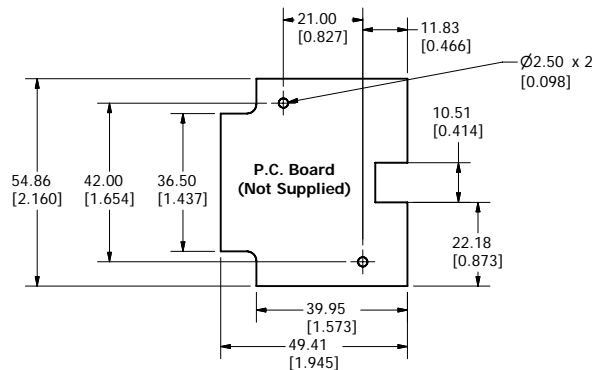
End View of Assembly



End Panel



Maximum P.C. Board Size



NOTE

Clip and PC Board not included

PART NUMBERS

Clipper Enclosure

Black Enclosure RAL 9018	001102
Grey Enclosure RAL 7035	001113

INCLUDES

#	Description	Material
1	Enclosure	FR ABS-UL94-V0
1	End Panel	FR ABS-UL94-V0
3	Cover Screws #2x1/2 Pan Head	

ACCESSORIES

Black Pocket Clip	001151
Grey Pocket Clip	001152
Infra Red Panel	001150

**HAMMOND
MANUFACTURING™**
Medium Clipper Enclosure 2
www.hammondmfg.com

Mouser Electronics

Authorized Distributor

Click to View Pricing, Inventory, Delivery & Lifecycle Information:

[Hammond:](#)

[001150-10](#)