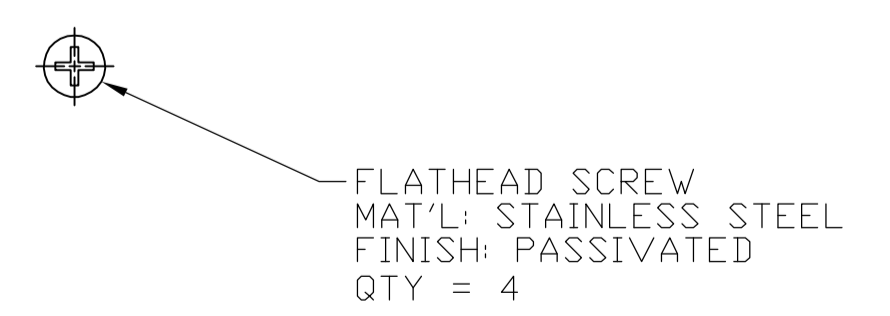
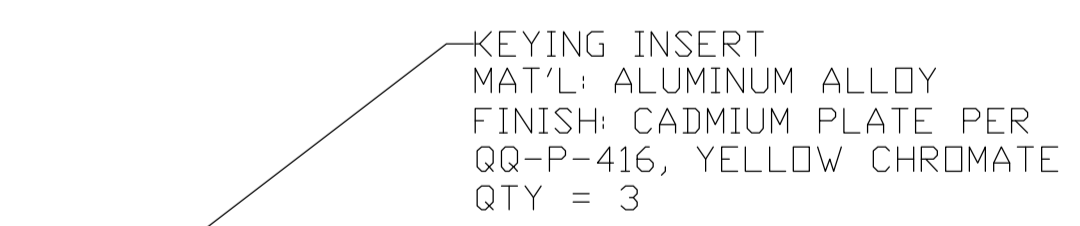
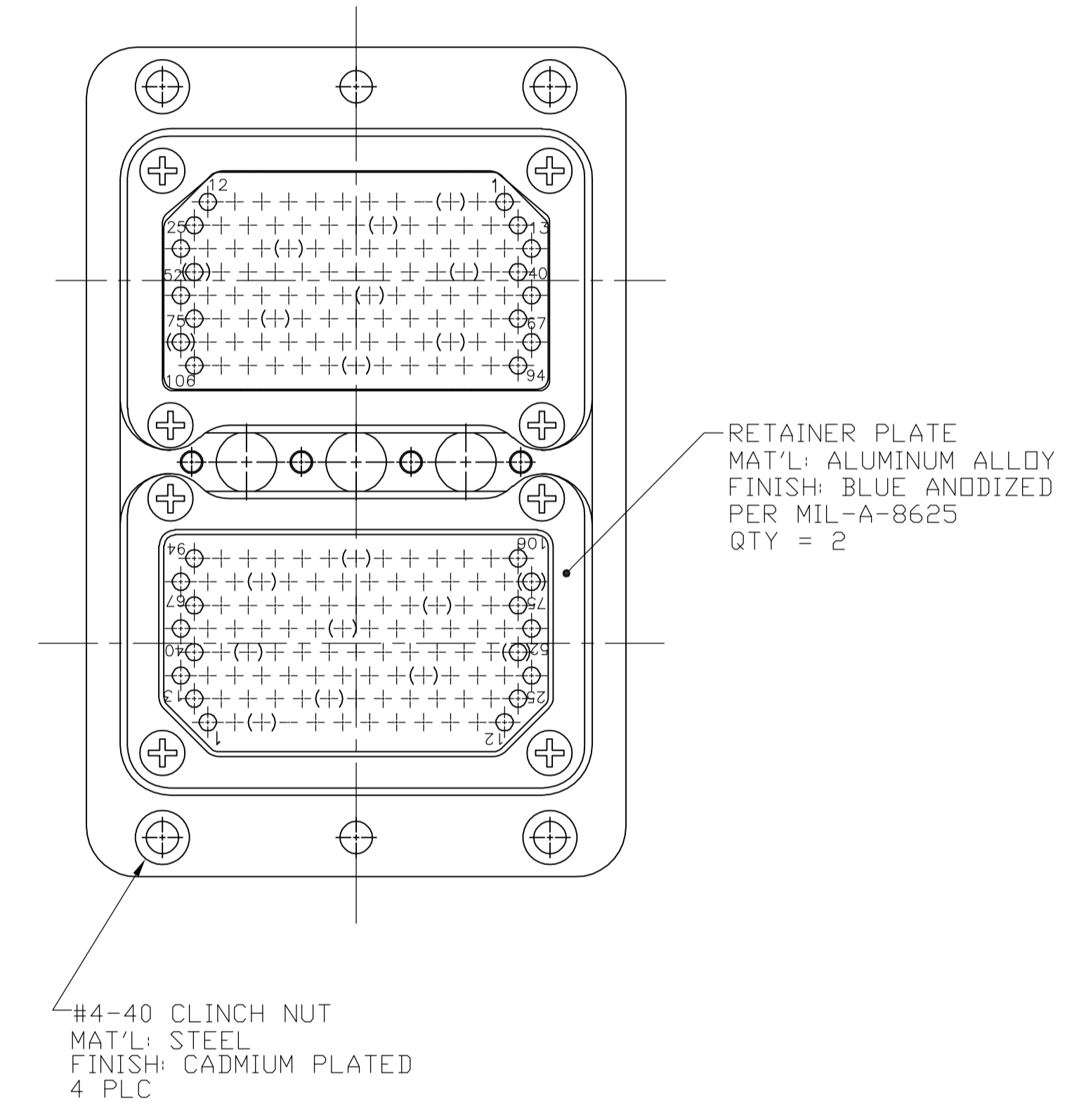
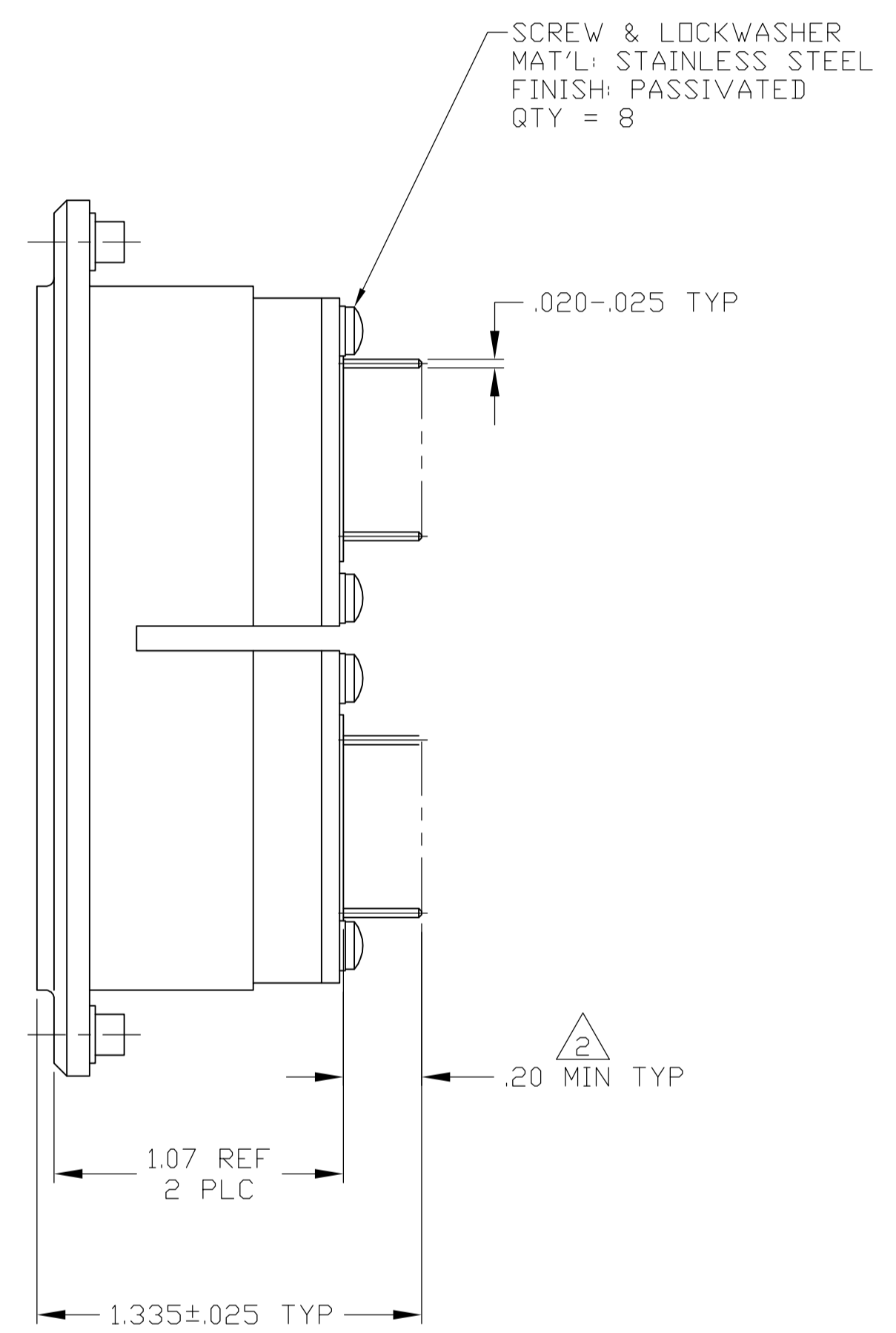
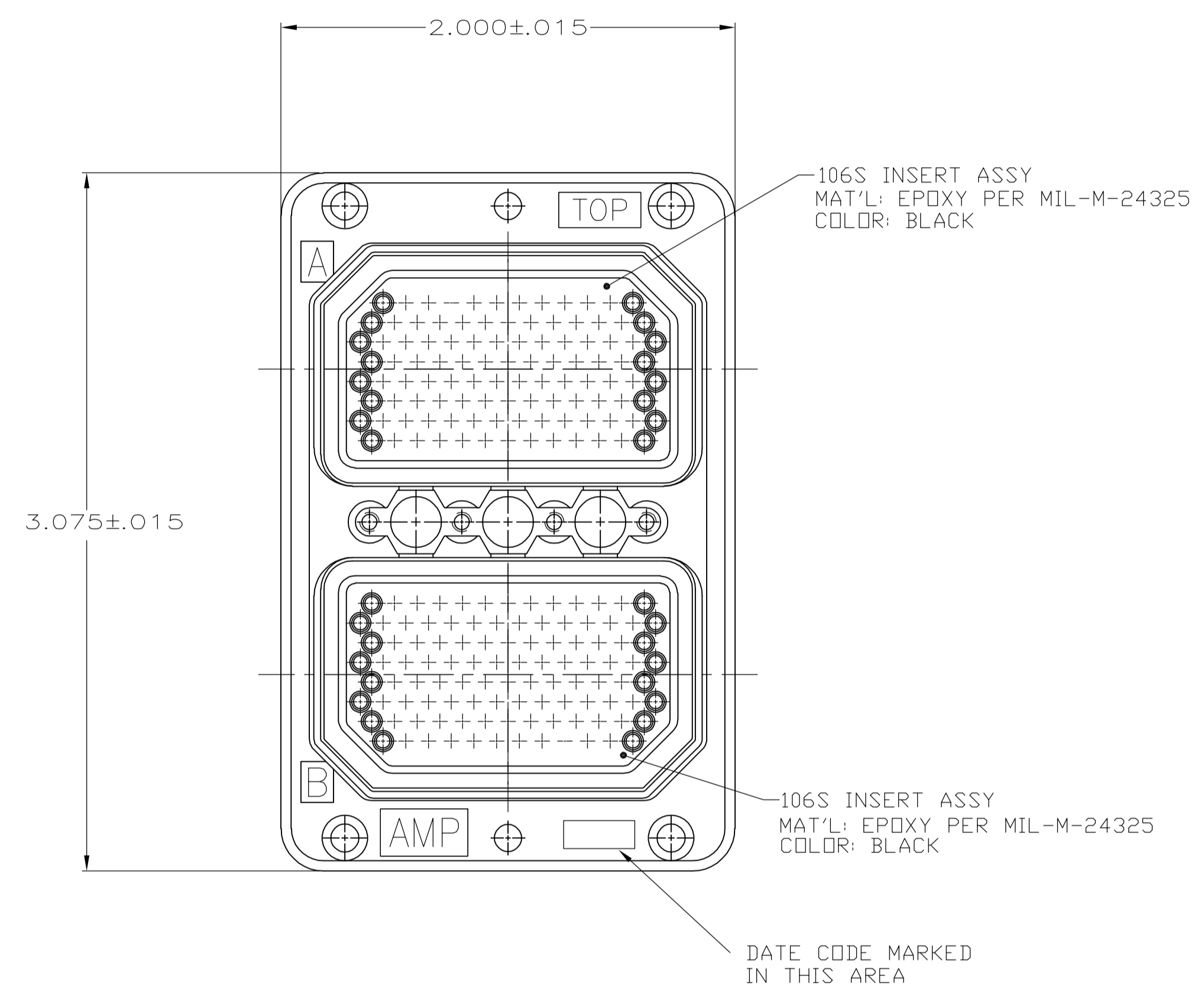
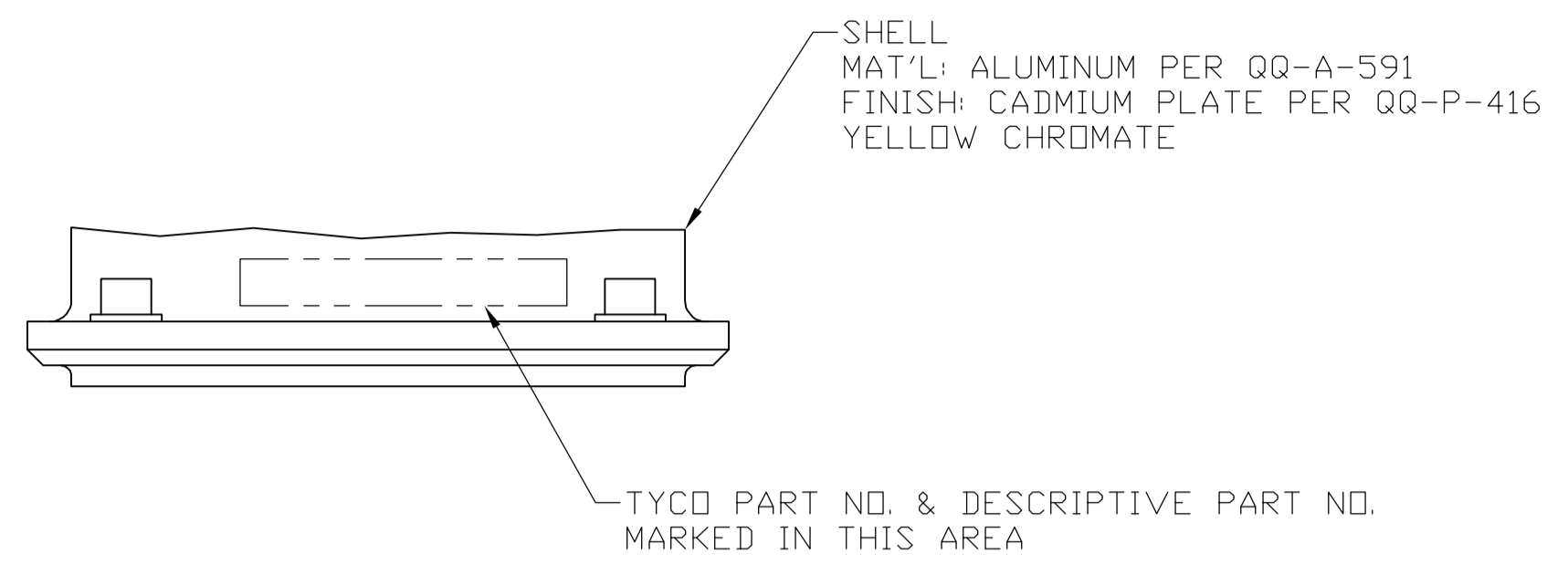


LOC		DIST		REVISIONS			
P	LTR	DESCRIPTION	DATE	DWN	APVD		
A		REV PER ECO 06-20476	8-24-06	CT	DE		

- 1. CONTACTS AND KEYING HARDWARE ARE PACKAGED SEPARATELY AND SHIPPED WITH CONNECTOR.
- 2. POST LENGTH FROM REAR OF INSERT.



1663998-1
 PART NUMBER

THIS DRAWING IS A CONTROLLED DOCUMENT.		DIN C.C.THOMAS 8-28-06	Tyco Electronics Corporation Harrisburg, PA 17105-3608	
DIMENSIONS: INCHES		CHK D.FARY 8-28-06	NAME RCPT ASSY,ARINC 404,RM2R106S106S-01 (206)	
TOLERANCES UNLESS OTHERWISE SPECIFIED:		APVD D.FARY 8-28-06	APPLICATION SPEC	
0 PLC ± -		SIZE A1		
1 PLC ± -		CAGE CODE 00779		
2 PLC ± -		DRAWING NO 1663998		
3 PLC ± -		RESTRICTED TO		
4 PLC ± -		CUSTOMER DRAWING		
ANGLES ± -		SCALE 2:1		
MATERIAL SEE CALLOUTS		SHEET 1 OF 1		
FINISH SEE CALLOUTS		REV A		

Mouser Electronics

Authorized Distributor

Click to View Pricing, Inventory, Delivery & Lifecycle Information:

[TE Connectivity:](#)

[1663998-1](#)