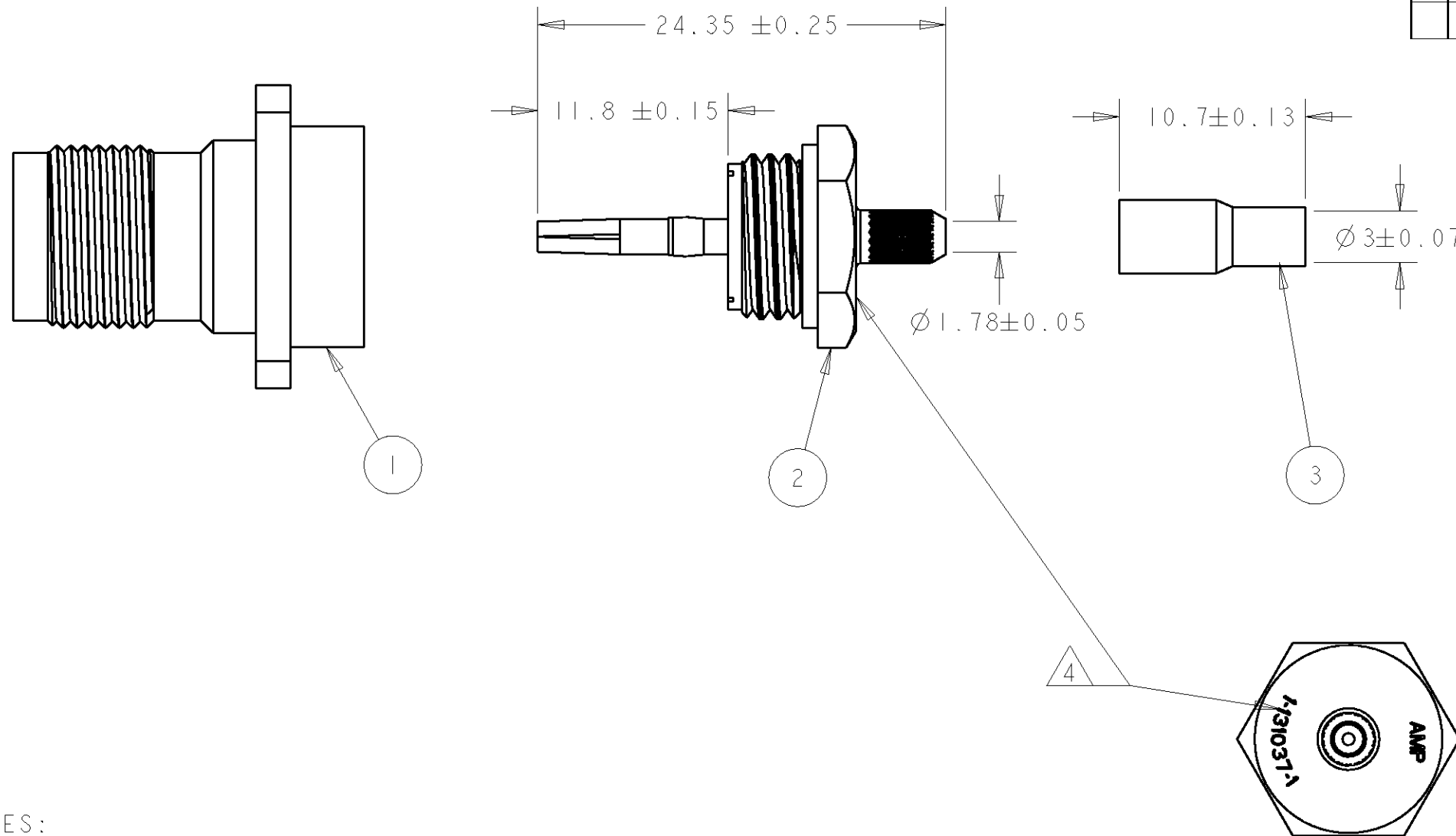
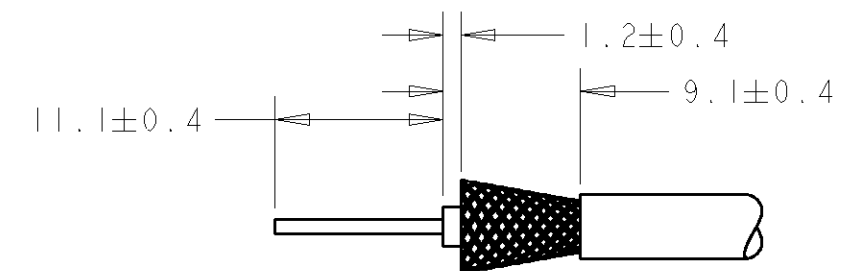


THIS DRAWING IS UNPUBLISHED. RELEASED FOR PUBLICATION 20
 © COPYRIGHT 20 BY TYCO ELECTRONICS CORPORATION. ALL RIGHTS RESERVED.

LOC	DIST	REVISIONS			
P	LTR	DESCRIPTION	DATE	DWN	APVD
B	E	A	FIRST ISSUE	18/06/08	MJG JA



RECOMMENDED CABLE PREPARATION
 DENUDAGE RECOMMANDE



NOTES:

- FOR USE WITH RG174, RG188, KX3 & KX22 CABLE
 UTILISER AVEC CABLE RG174, RG188, KX3, KX22
 - CRIMP WITH HAND TOOL Pt No 476408 OR 69710-1 + INSET 476410
 PINCE A SERTIR REF: 476408 ou 69710-1 + MATRICE 476410
 - INSTRUCTION SHEET 408-1799-1
 INSTRUCTION DE SERTISSAGE: 408-1799-1
- △ 4 PART NO FOR CONTACT SUB ASSEMBLY (1-131037-1)

	1	FERRULE	3
	1	CONTACT ASSY	2
	1	PANEL JACK ASSY	1
131197	QTY -1	DESCRIPTION	ITEM

DIMENSIONS:		TOLERANCES UNLESS OTHERWISE SPECIFIED:		DWN 18JUN2008		Tyco Electronics Tyco Electronics UK Ltd.	
mm		0 PLC ±0.5	1 PLC ±0.5	M.GREENER		Bideford, North Devon, EX39 4HE	
		2 PLC ±0.5	3 PLC ±0.5	CHK 18JUN2008		NAME PANEL JACK ASSEMBLY TNC SERIES	
		4 PLC ±0.5	ANGLES ±0.5	J.AMBROSE 18JUN2008			
MATERIAL		FINISH -		APVD 18JUN2008		SIZE CAGE CODE DRAWING NO RESTRICTED TO	
				PRODUCT SPEC 108-12001		A300779 C-131197	
				APPLICATION SPEC -		SCALE NTS SHEET 1 OF 1 REV A	
				WEIGHT -		CUSTOMER DRAWING	