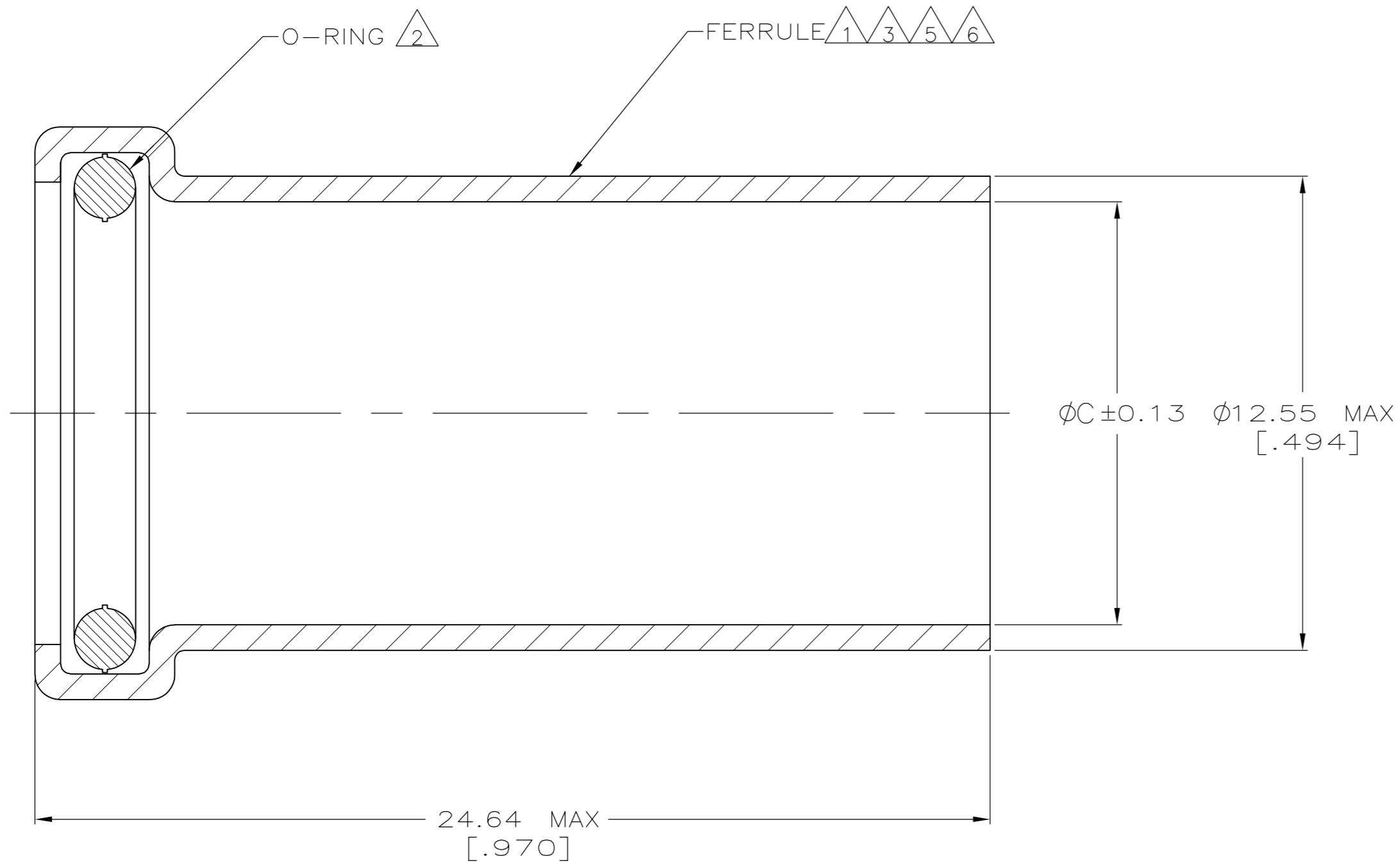


THIS DRAWING IS UNPUBLISHED. RELEASED FOR PUBLICATION
 © COPYRIGHT BY TYCO ELECTRONICS CORPORATION. ALL RIGHTS RESERVED.

LOC	DIST	REVISIONS					
		P	LTR	DESCRIPTION	DATE	DWN	APVD
AJ	17		N	REVISED PER ECO-10-008441	21MAY10	HMR	KW

- △1 COPPER ALLOY.
- △2 SILICONE RUBBER PER ZZ-R-765.
- △3 SILVER PLATE PER QQ-S-365.
- △4 TIN PLATE PER ASTM-B-545.
- △5 RHODIUM FLASH PER MIL-R-46085, OVER SILVER PER QQ-S-365.
- △6 GOLD PLATE PER MIL-G-45204.



	11.23	[.442]	△3	9-331987-5
	11.23	[.442]	△3	9-331987-4
	11.23	[.442]	△3	9-331987-3
	11.23	[.442]	△4	9-331987-2
	11.23	[.442]	△4	9-331987-1
	11.23	[.442]	△4	9-331987-0
	10.92	[.430]	△4	2-331987-0
	11.23	[.442]	△3	1-331987-9
OBSOLETE	11.23	[.442]	△6	1-331987-8
	11.23	[.442]	△4	1-331987-5
	11.23	[.442]	△4	1-331987-4
	11.23	[.442]	△3	1-331987-3
OBSOLETE	11.10	[.437]	△5	1-331987-2
OBSOLETE	11.23	[.442]	△5	1-331987-1
	11.10	[.437]	△3	1-331987-0
	11.23	[.442]	△3	331987
	C		FINISH	PART NO

THIS DRAWING IS A CONTROLLED DOCUMENT.		DWN B. MOYER 08-09-93	Tyco Electronics Corporation Harrisburg, Pa 17105-3608	
DIMENSIONS: INCHES		CHK B. KOBLER 8-10-93	NAME FERRULE ASSY, SERIES N	
TOLERANCES UNLESS OTHERWISE SPECIFIED: 0 PLC ± - 1 PLC ± - 2 PLC ± 0.13 [.005] 3 PLC ± - 4 PLC ± - ANGLES ± -		APVD B. KOBLER 8-10-93	PRODUCT SPEC -	RESTRICTED TO -
MATERIAL △1 △2		FINISH △3 △4 △5 △6	SIZE A2	CAGE CODE 00779
		WEIGHT -	DRAWING NO C=331987	SCALE 8:1
		CUSTOMER DRAWING	SHEET 1 OF 1	REV N

Mouser Electronics

Authorized Distributor

Click to View Pricing, Inventory, Delivery & Lifecycle Information:

[TE Connectivity:](#)

[1-331987-3](#)