

I/O PANEL DIRECTION
PRIMARY (COMPONENT) SIDE

I/O PANEL DIRECTION
SECONDARY (SOLDER) SIDE

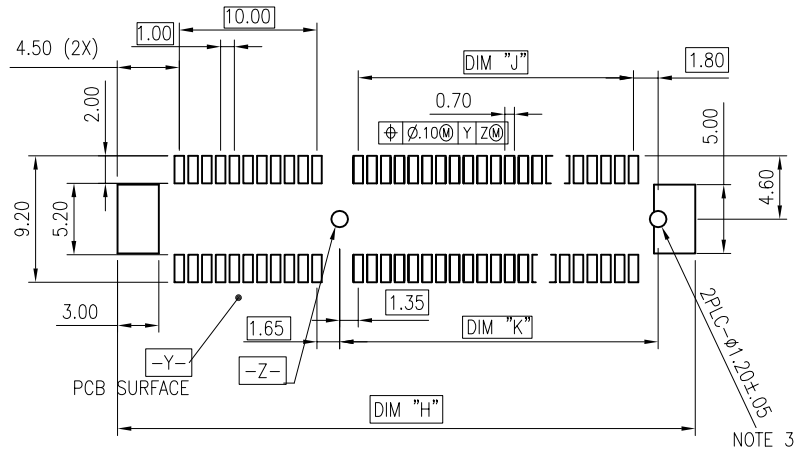
#	POS	REF.	N	DIM "G"	DIM "F"	"F"
36	6		8.15	6.00	B17	
64	20		22.15	20.00	B31	
98	37		39.15	37.00	B48	
164	70		72.15	70.00	B81	

ADD-IN CARD EDGE-FINGER DIMENSIONS

mat'l. code				surface 58/ISO 1302		tolerance ISO 406 ISO 1101		projection		product family PCI_EXPRESS					
ltr ecn no dr date				tolerances unless otherwise specified						title					
K - - -				angles linear		.X±.2		MM		PCI_EXPRESS_CARD_EDGE ASSEMBLY(SMT)					
				0°±2'		.XX±.13		scale 2		dwg no		sheet 2 of 6		size	
				dr MAGGIE_WU		06'/6/21		FCJ		10061913				A4	
				enr RICHARD_CHIU		06'/6/21				type		CUSTOMER Drawing			
				chr PAUL_WANG		06'/6/21									
				app JOSEPH_HSIA		06'/6/21									
sheet index		revision sheet		K 2											



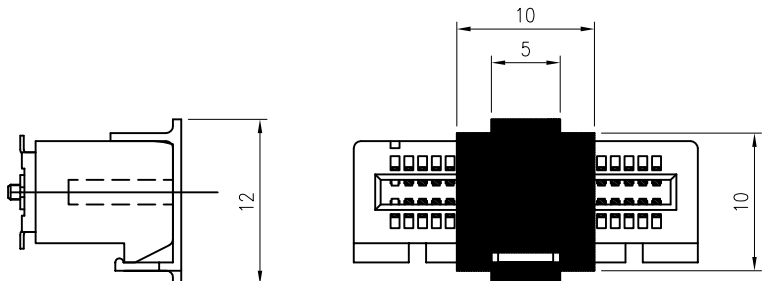
Copyright FCI



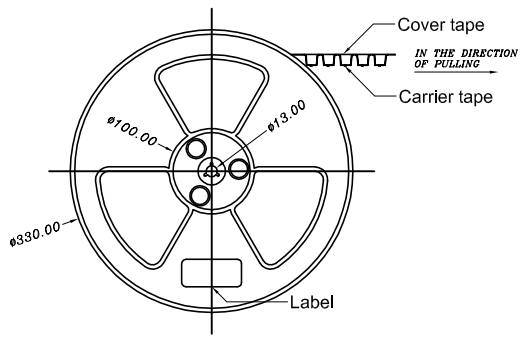
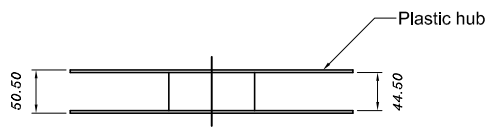
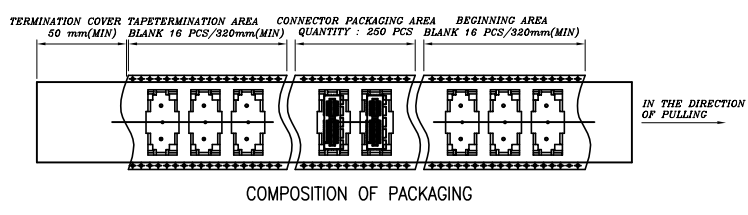
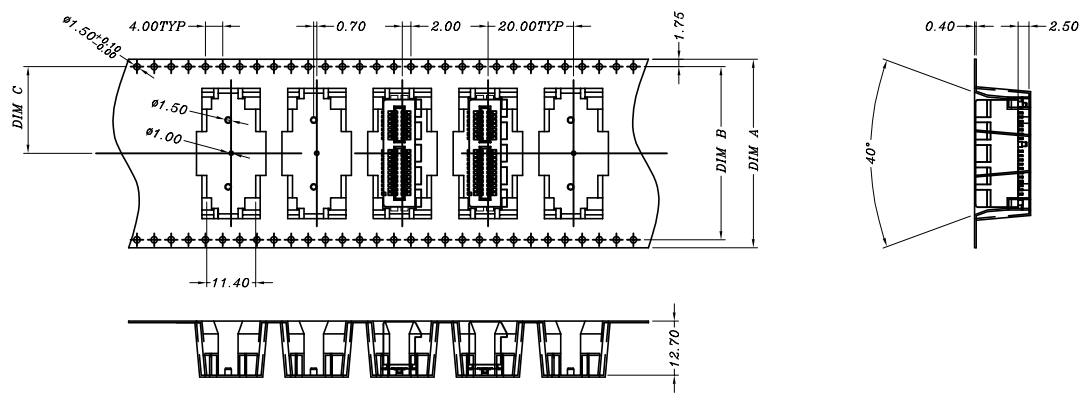
RECOMMENDED PCB LAYOUT, PAD TYPE

DIMENSIONS								
POSITION	A	B $\begin{smallmatrix} +0.15 \\ -0.05 \end{smallmatrix}$	C ± 0.20	D ± 0.23	E ± 0.20	H ± 0.10	J	K ± 0.10
36	6.00	7.65	9.15	25.00	27.00	28.00	6.00	9.15
64	20.00	21.65	23.15	39.00	41.00	42.00	20.00	23.15
98	37.00	38.65	40.15	56.00	58.00	59.00	37.00	40.15
164	70.00	71.65	73.15	89.00	91.00	92.00	70.00	73.15

POSTION OF CAP



mat'l. code				surface 58/ISO 1302		tolerance ISO 406 ISO 1101		projection		product family			
-				✓		ISO 1101		MM		PCI_EXPRESS			
ltr	ecn no	dr	date	tolerances unless otherwise specified						title			
K	-	-	-	angles linear		.X±.2		MM		PCI_EXPRESS_CARD_EDGE ASSEMBLY(SMT)			
				0'±2'		.XX±.13		scale 2		dwg no		sheet 3 of 6	size
				dr	MAGGIE_WU	06'/6/21	FCI		10061913		A4		
				enr	RICHARD_CHIU	06'/6/21			type		CUSTOMER Drawing		
				chr	PAUL_WANG	06'/6/21							
				app	JOSEPH_HSIA	06'/6/21							
sheet index	revision sheet	K	3										



TAPE AND REEL
PACKING
RECOMMENDED FOR
36PINS ONLY

DIMENSIONS					
POSITIONS	A	B	C	D REF.	E REF.
36 (10061913-xxxxALF)	44.00	40.40	20.20	44.5	50.5
64	56.00	52.60	26.30	56.4	60.4

mat'l. code			surface 58/ISO 1302		tolerance ISO 406 ISO 1101		projection		product family PCI_EXPRESS		
ltr	ecn no	dr	date	tolerances unless otherwise specified			MM		title PCI_EXPRESS_CARD_EDGE ASSEMBLY(SMT)		
K	-	-	-	angles	linear	.X±.3	scale 1		dwg no		
				0°±2'		.XX±.20	FCJ		sheet 5 of 6		size
				dr	MAGGIE_WU	06'/6/21			10061913		A4
				enr	RICHARD_CHIU	06'/6/21			type		CUSTOMER Drawing
				chr	PAUL_WANG	06'/6/21					
				app	JOSEPH_HSIA	06'/6/21					
sheet index	revision sheet	K	5								



Copyright FCI

1 For PCI EXPRESS SMT TYPE 36P ONLY.

2. Material :

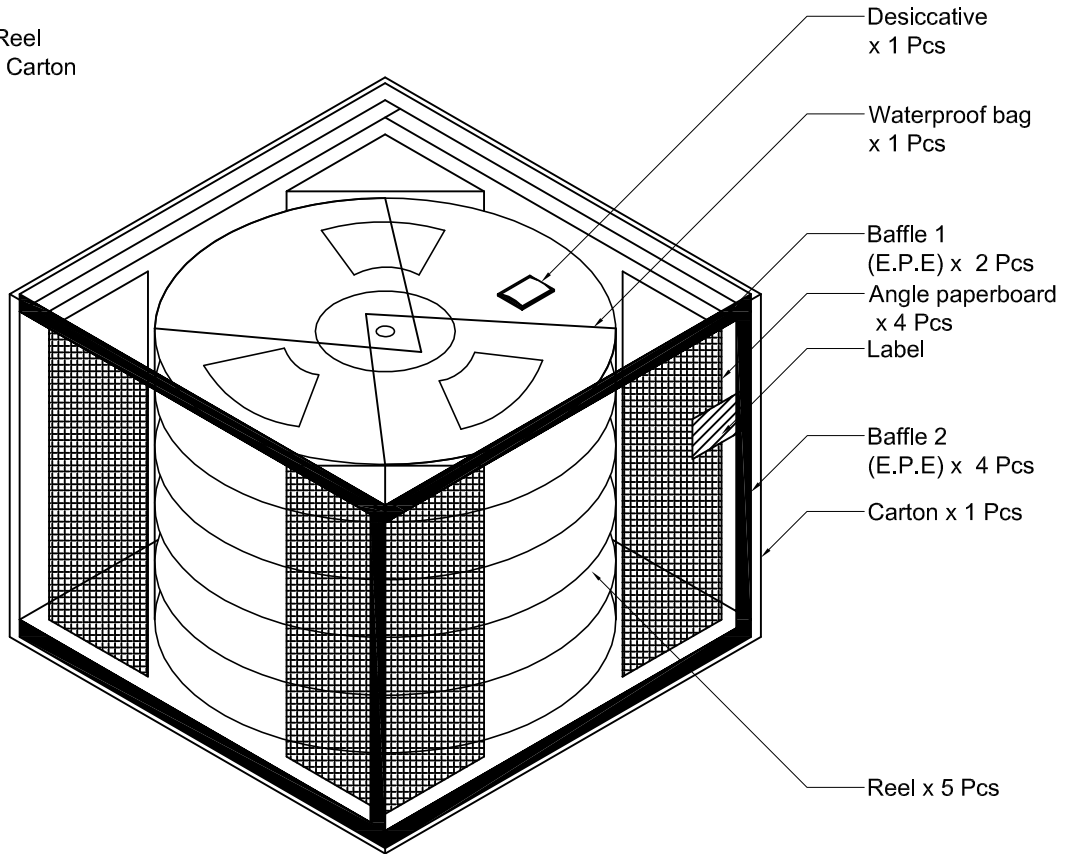
- 2.1 Reel :
 - 2.1.1 Plastic hub : High Impact Polystyrene
 - 2.1.2 Cover tape : PE
 - 2.1.3 Carrier tape : ABS
- 2.2 Waterproof bag : PE
- 2.3 Desiccative : Silica Gel
- 2.4 Carton : Corrugated paper
- 2.5 Baffle : E.P.E
- 2.6 Angle paperboard : Corrugated paper

3. Dimension :

- 3.1 Reel :
 - 3.1.1 Plastic hub : $\phi 330 \times T50.5$ mm
 - 3.1.2 Cover tape : $5690(L) \times 37.4(W)$ mm
 - 3.1.3 Carrier tape : $5640(L) \times 44(W)$ mm
- 3.2 Waterproof bag : $600(H) \times 465(W) \times 0.06(T)$ mm
- 3.3 Desiccative : 25 gram / Package
- 3.4 Carton : $380(L) \times 380(W) \times 300(H)$ mm
- 3.5 Baffle (1): $370(L) \times 370(W) \times 15(H)$ mm
- 3.6 Baffle (2): $355(L) \times 252(W) \times 15(H)$ mm
- 3.7 Angle paperboard : 252(H)

4. Quantity :

- 4.1 250 Pcs / Reel
- 4.2 1250 Pcs / Carton



FCIconnect.com

Copyright FCI

mat'l. code				surface 58/ISO 1302 <input checked="" type="checkbox"/>		tolerance ISO 406 ISO 1101		projection		product family PCI_EXPRESS		
ltr	ecn no	dr	date	tolerances unless otherwise specified		angles linear		MM		title PCI_EXPRESS_CARD_EDGE ASSEMBLY(SMT)		
K	-	-	-					scale 1		dwg no 10061913		sheet 6 of 6
				dr MAGGIE_WU 06'/6/21		engr RICHARD_CHIU 06'/6/21				size A4		type CUSTOMER Drawing
				chr PAUL_WANG 06'/6/21		app JOSEPH_HSIA 06'/6/21						
sheet index	revision sheet	K	6									

Mouser Electronics

Authorized Distributor

Click to View Pricing, Inventory, Delivery & Lifecycle Information:

[FCI:](#)

[10061913-110RLF](#) [10061913-102PLF](#) [10061913-121PLF](#) [10061913-003CLF](#) [10061913-132CLF](#) [10061913-103BLF](#)
[10061913-003ZLF](#) [10061913-112PLF](#) [10061913-113NLF](#) [10061913-113BLF](#) [10061913-131CLF](#) [10061913-120PLF](#)
[10061913-112NLF](#) [10061913-133CLF](#)