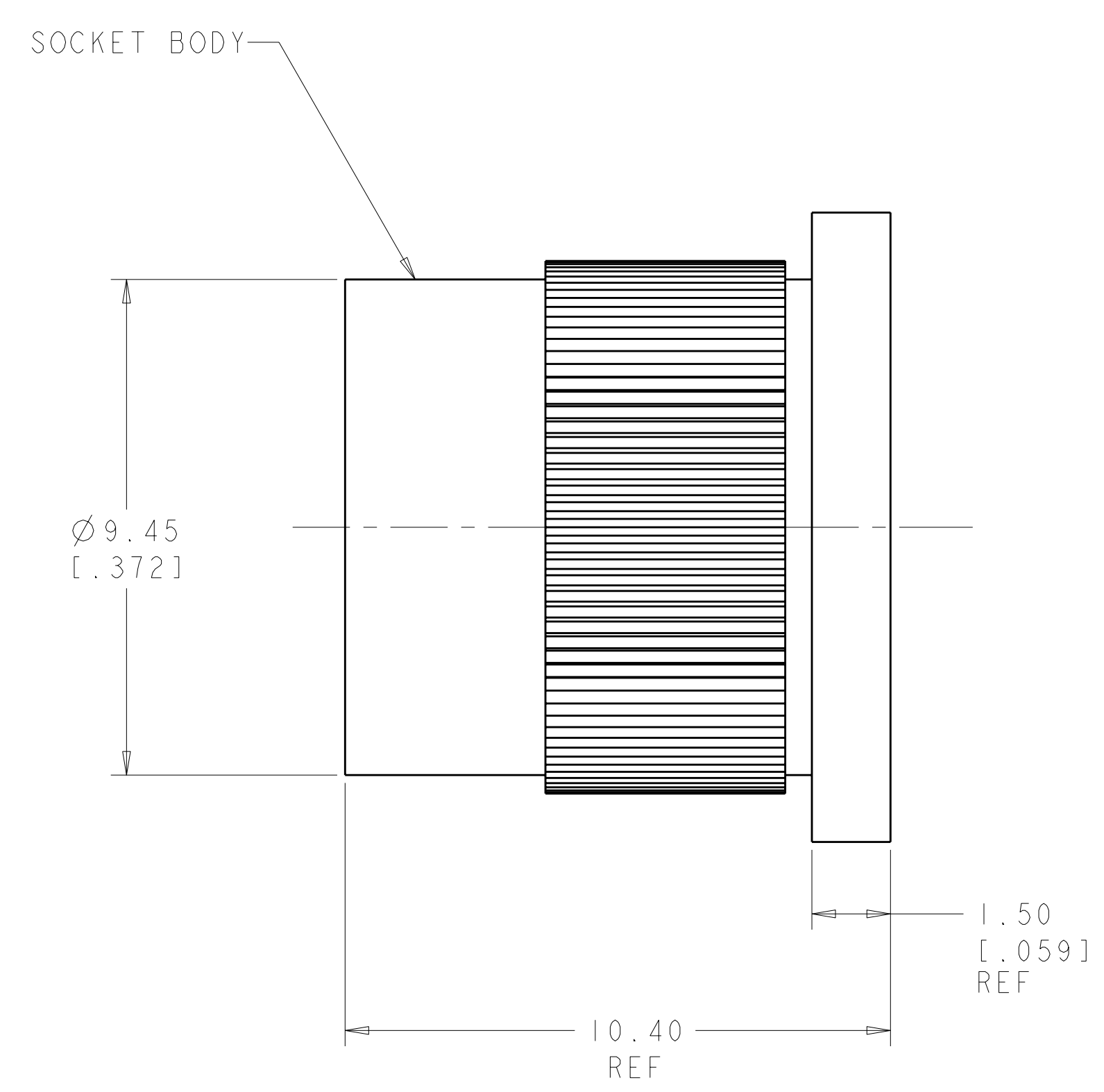
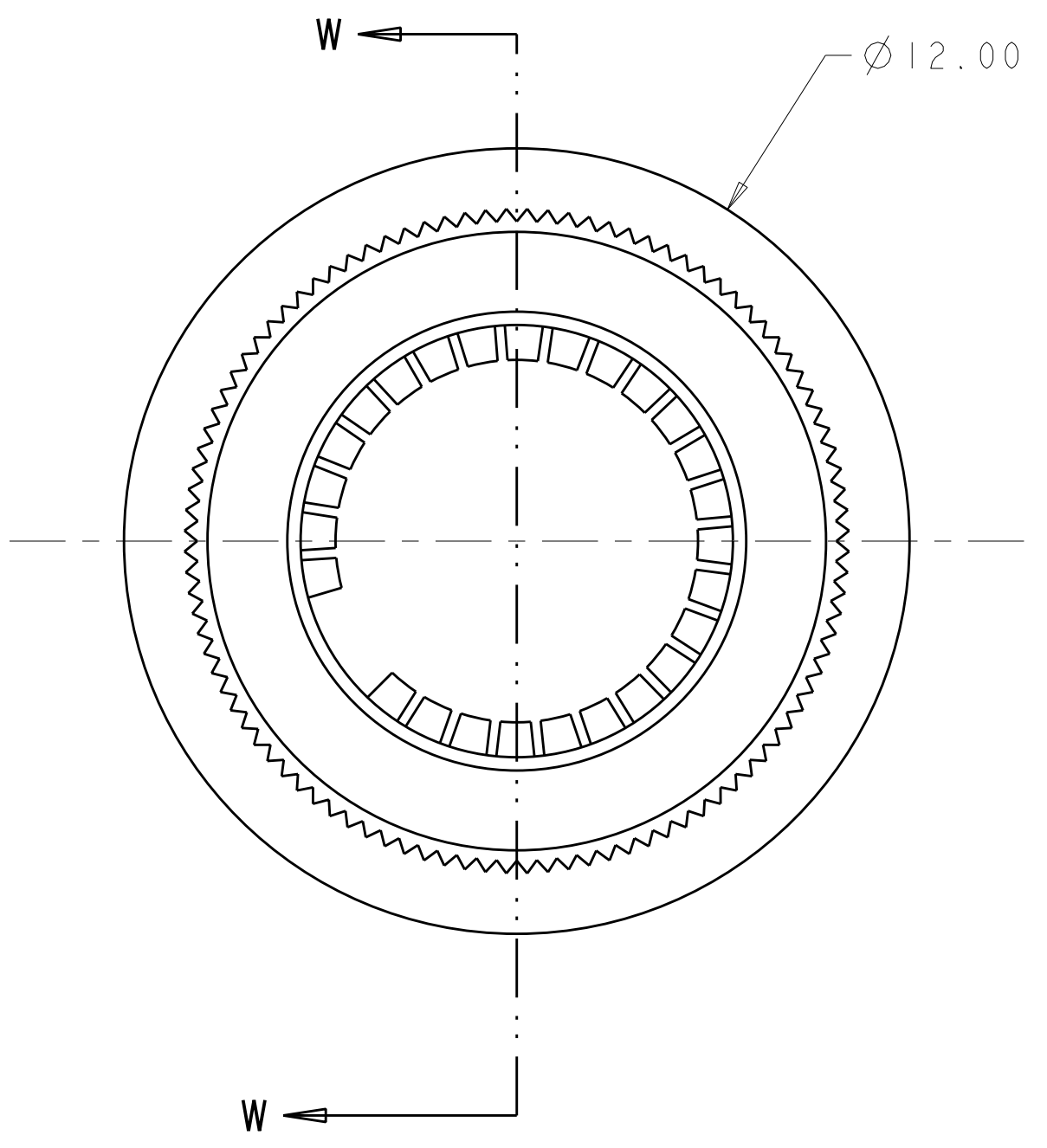
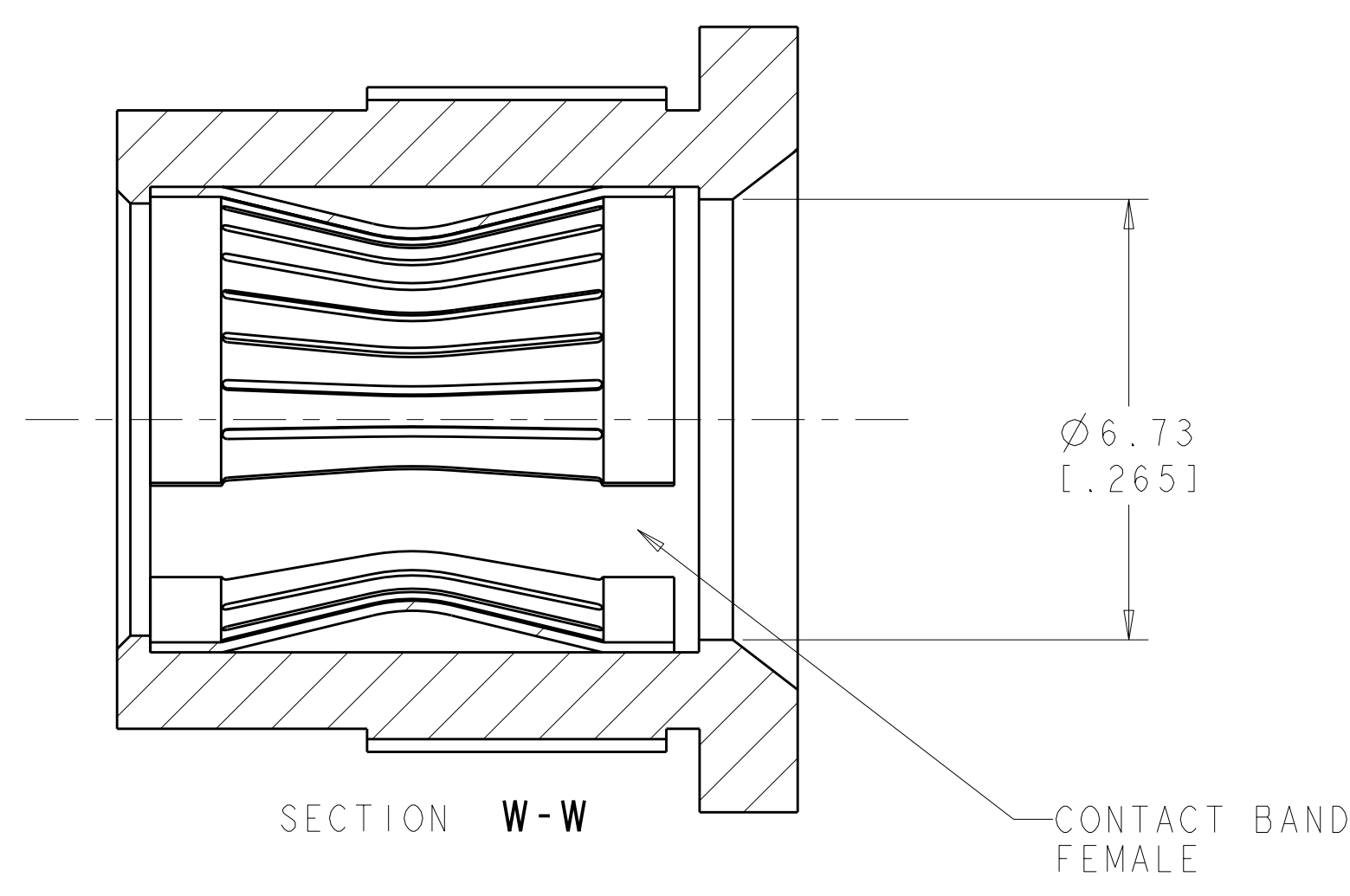


REV	DATE	DESCRIPTION	DATE	DWN	APVD
1	11DEC2007	PROPOSED DESIGN		WVS	GRD
2	24APR2008	REMOVED INCH DIMENSIONS		WVS	GRD



- PART NUMBER CHANGES AND/OR DESIGN CHANGES AFFECTING ITEM INTERCHANGEABILITY REQUIRES PRIOR TYCO ELECTRONICS APPROVAL AND AUTHORIZATION BY REVISION TO THIS DRAWING.
- ITEMS PROVIDED TO THIS SPECIFICATION SHALL BE IDENTIFIED ON THE PACKAGE AS FOLLOWS: MANUFACTURER IDENTIFICATION PART NUMBER.
- RECOMENDED BUS BAR HOLE  $\varnothing 10.03 \pm 0.03$  [ $\varnothing .395 \pm .001$ ].
- MATES WITH A  $\varnothing 6.35$  [.250] PIN.
- MATERIAL:  
 SOCKET BODY - COPPER ALLOY  
 CONTACT BAND - COPPER ALLOY
- FINISH:  
 SOCKET BODY - SILVER PLATE OVER NICKEL PLATE OVER ALL  
 CONTACT BAND - GOLD PLATE IN CONTACT AREA OVER NICKEL PLATE OVER ALL
- THIS PRODUCT HAS NOT COMPLETED QUALIFICATION TESTING.

AS SHOWN	1926755-1
DESCRIPTION	PART NO

THIS PRINT IS  
**PRELIMINARY**  
 UNQUALIFIED PRODUCT  
 CONTACT PRODUCT ENGINEERING  
 BEFORE USING THIS PRINT

DIMENSIONS: mm [ INCHES ]	TOLERANCES UNLESS OTHERWISE SPECIFIED: 9 PLC ± 1 PLC ±0.25 [1.010] 5 PLC ± 4 PLC ± ANGLES ±2°	DWN: WJ-VAN SG/CS 13NOV2007 CHK: G.R. DEB TRAUH 13NOV2007 APVD: G.R. DEB TRAUH 13NOV2007 PRODUCT SPEC APPLICATION SPEC WEIGHT FINISH	 Tyco Electronics Harrisburg, PA 17105-3608 ASSEMBLY, #4 SOCKET, BUSBAR, SHORT SIZE: CAGE CODE: DRAWING NO: A100779C=1926755 RESTRICTED TO: - SCALE: 4:1 SHEET 1 OF 1 REV 2 CUSTOMER DRAWING
------------------------------	--	--	--