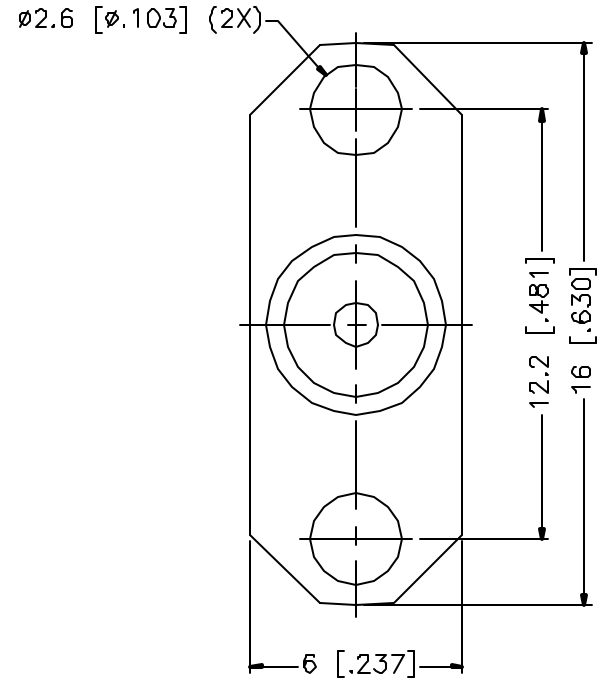
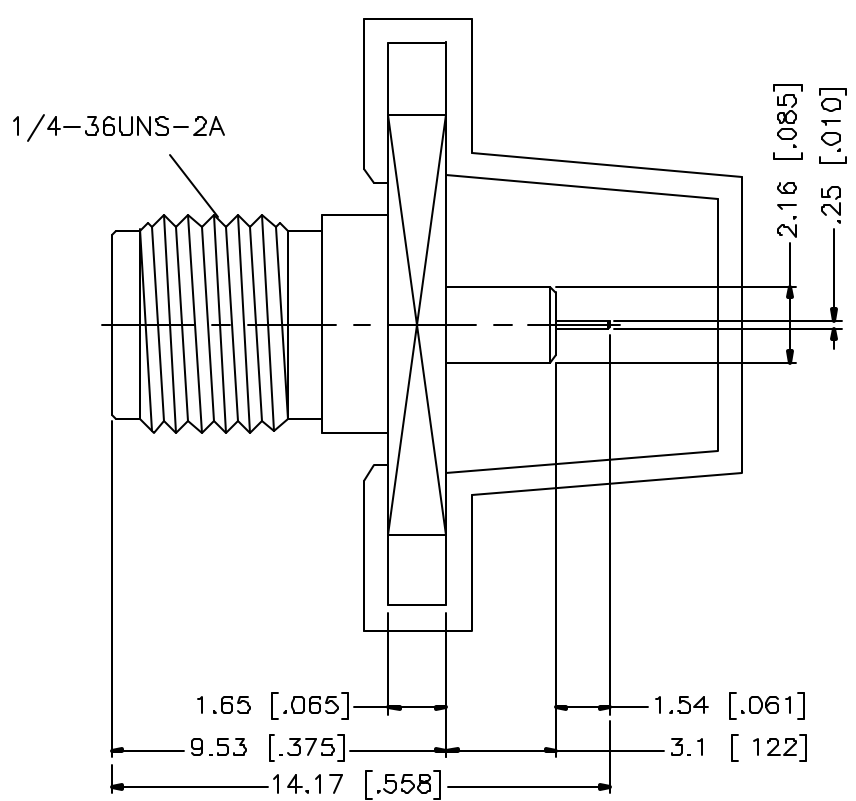



REV.	DATE	DESCRIPTION
NC	01/14/01	INITIAL RELEASE



DESCRIPTION	MATERIAL	FINISH	UNLESS OTHERWISE SPECIFIED DIMENSIONS ARE IN MILLIMETERS DIMENSIONS IN [ ] ARE IN INCHES FOR CUSTOMER REFERENCE ONLY	APPROVALS	DATE				
1 BODY	BRASS	GOLD		UNLESS OTHERWISE SPECIFIED TOLERANCES FOR MILLIMETERS ARE: 0.5-6 = ± 0.2 6-30 = ± 0.4 30-120 = ± 0.6 120-315 = ± 1 315-1000 = ± 1.6 1000-2000 = ± 2.4	DRAWN G.R.S.				
2 INSULATOR	TEFLON	NATURAL	CHECKED			SIZE A	FSCM NO 99001	DWG. NO. 132224.DWG	REV NC
3 CONTACT PIN	BER. COPPER	GOLD	ISSUED			SCALE NA	PART NO 132224	SHEET 1 OF 1	
4 COVER	PE	NATURAL							
5									
6									
7									
8			DO NOT SCALE DRAWING						

# Mouser Electronics

Authorized Distributor

Click to View Pricing, Inventory, Delivery & Lifecycle Information:

[Amphenol:](#)

[132224](#)