

# CR2330

## ■ Dimensions(mm)



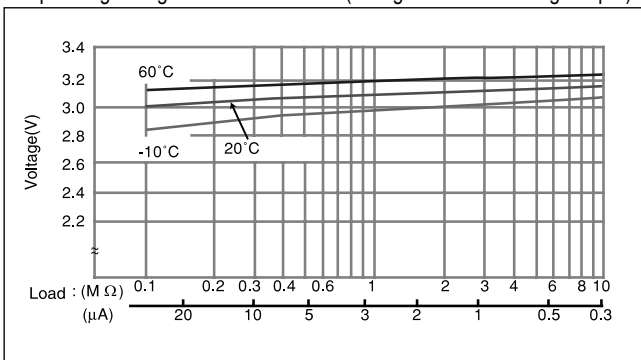
## ■ Specification

|                           |            |
|---------------------------|------------|
| Nominal voltage(V)        | 3          |
| Nominal capacity(mAh)     | 265        |
| Continuous drain(mA)      | 0.2        |
| Operating temperature(°C) | -30 to +60 |

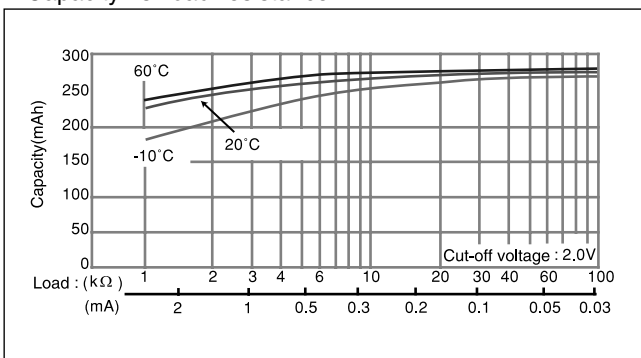
## ■ Discharge temperature characteristics



## ■ Operating voltage vs. load resistance(voltage at 50% discharge depth)

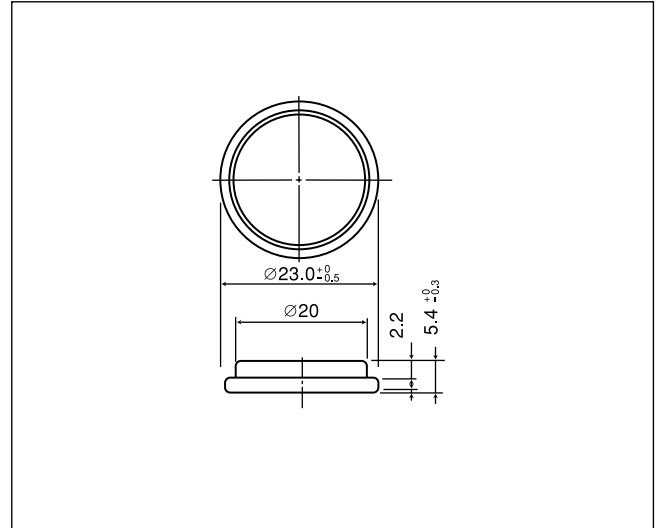


## ■ Capacity vs. load resistance



# CR2354

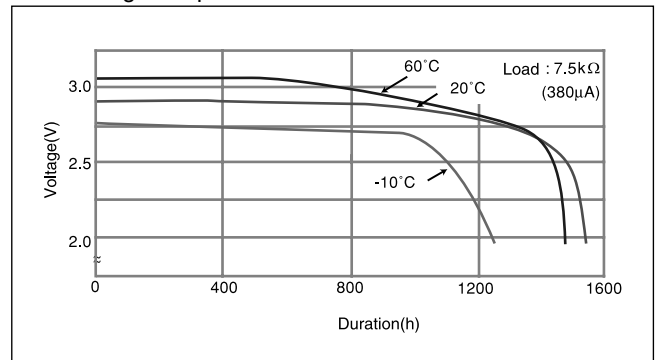
## ■ Dimensions(mm)



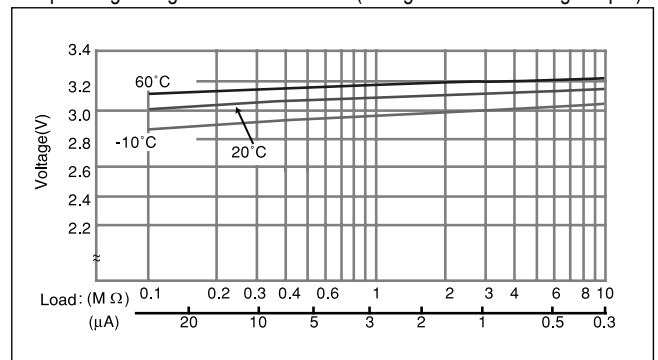
## ■ Specification

|                           |            |
|---------------------------|------------|
| Nominal voltage(V)        | 3          |
| Nominal capacity(mAh)     | 560        |
| Continuous drain(mA)      | 0.2        |
| Operating temperature(°C) | -30 to +60 |

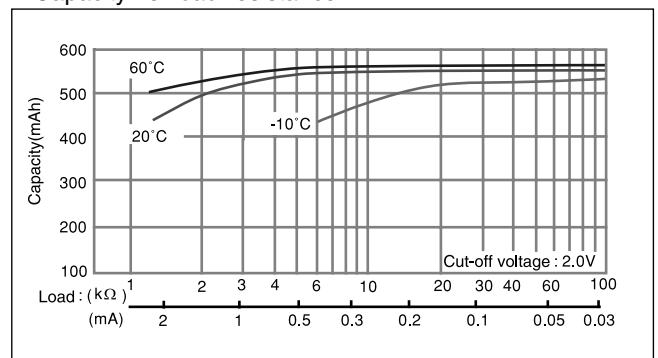
## ■ Discharge temperature characteristics



## ■ Operating voltage vs. load resistance(voltage at 50% discharge depth)



## ■ Capacity vs. load resistance



# Mouser Electronics

Authorized Distributor

Click to View Pricing, Inventory, Delivery & Lifecycle Information:

[Panasonic:](#)

[CR-2354/GUN](#) [CR-2354/GUFN](#) [CR-2354/GVFN](#) [CR-2354/HEN](#) [CR-2354/HMN](#)