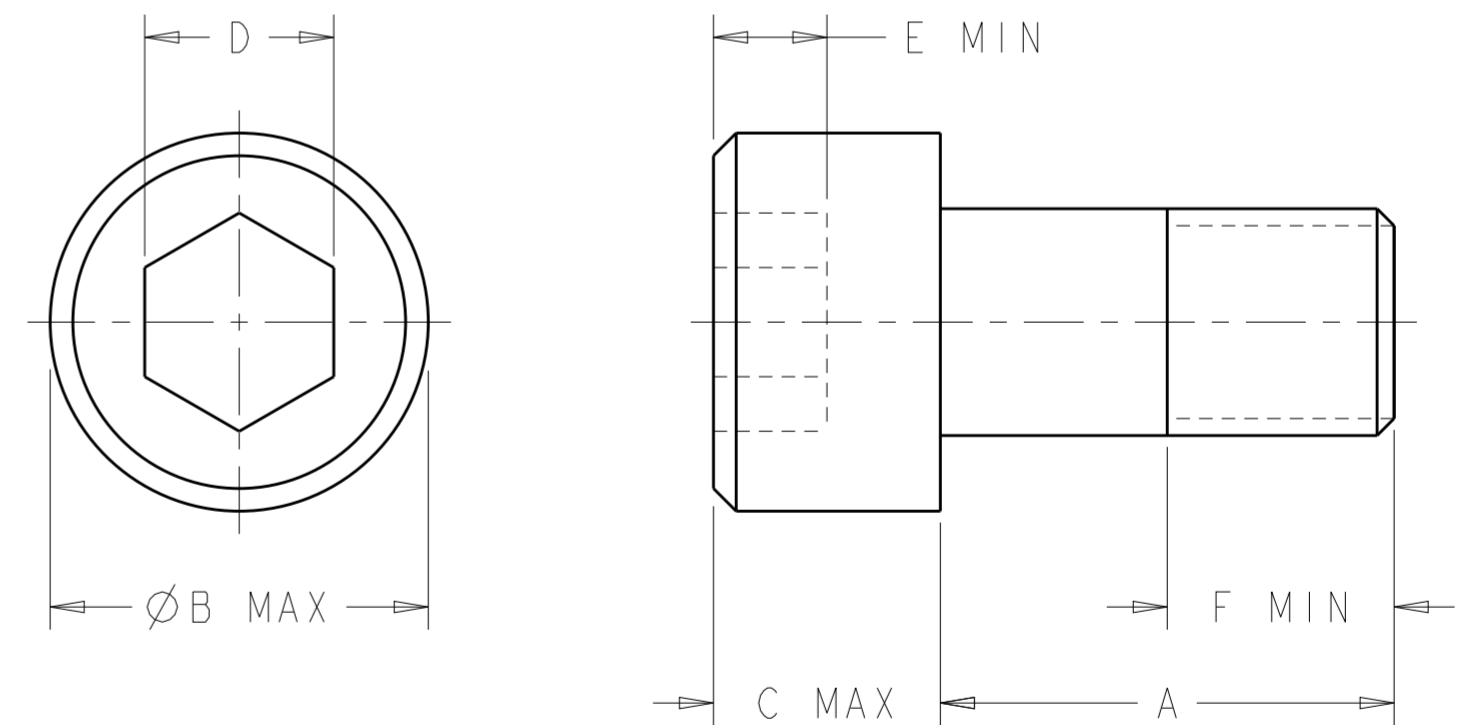


THIS DRAWING IS A CONTROLLED DOCUMENT

NUMBER
994962

PART NUMBER	REV	MASS REF Grams	THREAD	A	B	C	D	E	F
994962-1	O	0.55	M2	16	3.8	2.0	1.5	1.0	FULL
994962-2	A	6.99	M4	60	7.0	4.0	3.0	2.0	20.00
994962-3	D	1.24	M2.5	25	4.5	2.5	2.0	1.0	FULL
994962-4	C	0.51	M2	14	3.8	2.0	1.5	1.0	FULL
994962-5	E	0.67	M2.5	10	4.5	2.5	2.0	1.0	FULL
994962-6	J	4.91	M6	8	10.0	6.0	5.0	3.0	FULL
994962-7	G	23.11	M6	90	10.0	6.0	5.0	3.0	FULL
994962-8	H	4.46	M6	6	10.0	6.0	5.0	3.0	FULL
994962-9	K	3.26	M3	50	5.5	3.0	2.5	1.5	18.00
1-994962-0	L	24.45	M10	18	16.0	10.0	8.0	5.0	FULL
1-994962-1	L	1.49	M3	18	5.5	3.0	2.5	1.5	FULL
1-994962-2	L	4.23	M5	15	8.5	5.0	4.0	2.5	FULL
1-994962-3	L	4.70	M5	18	8.5	5.0	4.0	2.5	FULL
1-994962-4	L	8.02	M6	22	10.0	6.0	5.0	3.0	FULL
1-994962-5	M	50.55	M12	35	18.0	12.0	10.0	6.0	FULL
1-994962-6	N	2.84	M4	18	7.0	4.0	3.0	2.0	FULL
1-994962-7	P	46.68	M8	100	13.0	8.0	6.0	4.0	28.00
1-994962-8	R	2.99	M3	45	5.5	3.0	2.5	1.5	18.00
1-994962-9	S	4.37	M3	70	5.5	3.0	2.5	1.5	18.00
2-994962-0	T	7.97	M4	70	7.0	4.0	3.0	2.0	20.00
2-994962-1	U	8.68	M6	25	10.0	6.0	5.0	3.0	FULL
2-994962-2	V	3.54	M3	55	5.5	3.0	2.5	1.5	18.00
2-994962-3	W	237.32	M20	60	30.0	20.0	17.0	10.0	FULL
2-994962-4	Y	5.01	M4	40	7.0	4.0	3.0	2.0	FULL
2-994962-5	Z	0.43	M2.5	4	4.5	2.5	2.0	1.0	FULL
2-994962-6	Z	0.47	M2.5	5	4.5	2.5	2.0	1.0	FULL
2-994962-7	AA	34.93	M10	35	16.0	10.0	8.0	5.0	FULL
2-994962-8	AB	20.75	M10	12	16.0	10.0	8.0	5.0	FULL
2-994962-9	AC	16.56	M5	95	8.5	5.0	4.0	2.5	22.00
3-994962-0	AD	20.89	M6	80	10.0	6.0	5.0	3.0	24.00
3-994962-1	AD	60.77	M14	25	21.0	14.0	12.0	7.0	FULL
3-994962-2	AE	7.32	M5	35	8.5	5.0	4.0	2.5	FULL
3-994962-3	A	5.80	M6	12	10.0	6.0	5.0	3.0	FULL
3-994962-4	AG	13.12	M6	45	10.0	6.0	5.0	3.0	FULL

1. MANUFACTURER/VENDOR PART NUMBER:
NONE
2. MANUFACTURER/VENDOR:
NONE
3. DIMENSIONS/TOLERANCES:
SHALL COMPLY WITH ASME B18.3.1M AND DIN 912
4. COMPLIANCE:
RoHS COMPLIANT
5. REQUIRED CHARACTERISTICS/PERFORMANCE:
MATERIAL SHALL BE ALLOY STEEL THAT MEETS OR EXCEEDS ISO STANDARD 898/1, CLASS 12.9
SEE TABLE FOR ADDITIONAL INFORMATION.
6. ALTERNATE PART NUMBER AND MANUFACTURER/VENDOR:
TE ENGINEERING APPROVED EQUIVALENT.



SEE ALSO 18023

DIMENSIONS: mm	MATERIAL SEE NOTES	FINISH BLACK OXIDE
TITLE SCREW, CAP, SOCKET HEAD, METRIC SERIES		
SIZE A2	NUMBER 994962	SHEET 1 OF 1
REV AG		

**APPLICATION TOOLING COMMERCIALY
PURCHASED PRODUCT SPECIFICATION**

AG	ECR-18-003199	28FEB2018	DJG	-
LTR	REVISION RECORD	DATE	DWN	APVD

THIS INFORMATION IS CONFIDENTIAL AND PROPRIETARY TO TYCO ELECTRONICS CORPORATION AND ITS WORLDWIDE SUBSIDIARIES AND AFFILIATES (TE). IT MAY NOT BE DISCLOSED TO ANYONE, OTHER THAN TE PERSONNEL, WITHOUT AUTHORIZATION FROM TE (www.te.com).