

## Distributor - SAC-ASI-J-Y-B-FFKDS - 1407579


Please be informed that the data shown in this PDF Document is generated from our Online Catalog. Please find the complete data in the user's documentation. Our General Terms of Use for Downloads are valid (<http://phoenixcontact.com/download>)



AS-Interface distributor, for a branch from two flat-ribbon conductors to two double spring-cage terminal blocks



### Key Commercial Data

Packing unit	1 STK
GTIN	 4 046356 779999
GTIN	4046356779999

### Technical data

#### Ambient conditions

Degree of protection	IP20
Ambient temperature (operation)	-25 °C ... 75 °C
Ambient temperature (storage/transport)	-25 °C ... 85 °C

#### General data

Rated current at 40°C	4 A
Rated voltage	≤ 32 V DC
Number of positions	4
Overvoltage category	III
Degree of pollution	3
Connection method	AS-i penetration technique

#### Characteristics head 1

Head type	Load center AS-i Screw locking
No. of positions (pin connector pattern)	4
Material (component)	CuSn (Contact)
	Ni/Au (Contact surface)
	PBT (Contact carriers)
	PBT (Housing)

# Distributor - SAC-ASI-J-Y-B-FFKDS - 1407579

## Technical data

### Characteristics head 1

	Stainless steel (Screw connection)
Torque	1.65 Nm (Locking screw)
Stripping length of the individual wire	10 mm

### Characteristics head 2

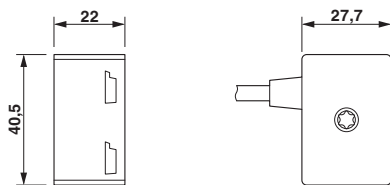
Color	black
-------	-------

### Environmental Product Compliance

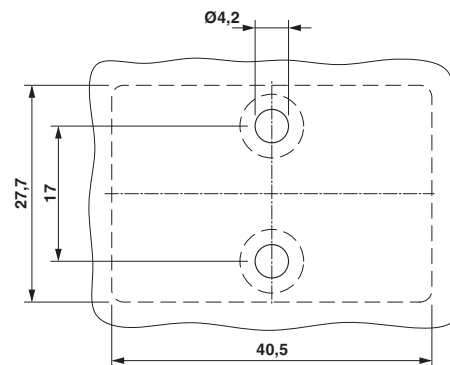
China RoHS	Environmentally friendly use period: unlimited = EFUP-e
	No hazardous substances above threshold values

## Drawings

Dimensional drawing



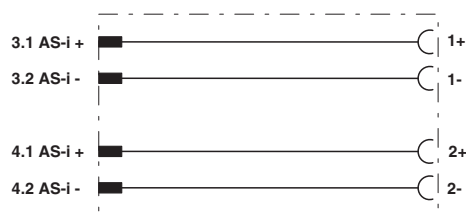
Dimensional drawing



Distributor, AS-Interface

Distance and position of the mounting holes

Circuit diagram



Contact assignment of the AS-Interface distributor

Phoenix Contact 2018 © - all rights reserved  
<http://www.phoenixcontact.com>

PHOENIX CONTACT GmbH & Co. KG  
Flachmarktstr. 8  
32825 Blomberg  
Germany  
Tel. +49 5235 300  
Fax +49 5235 3 41200  
<http://www.phoenixcontact.com>