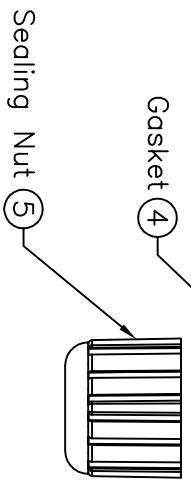
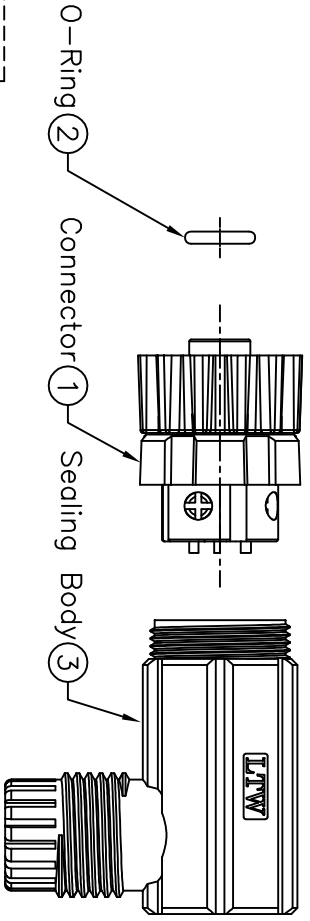
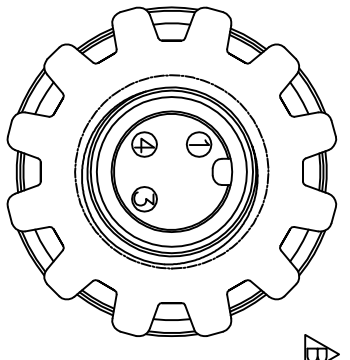
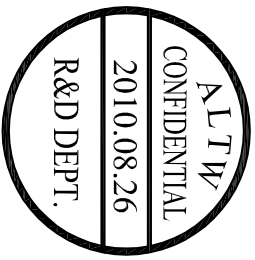
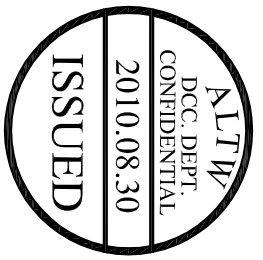
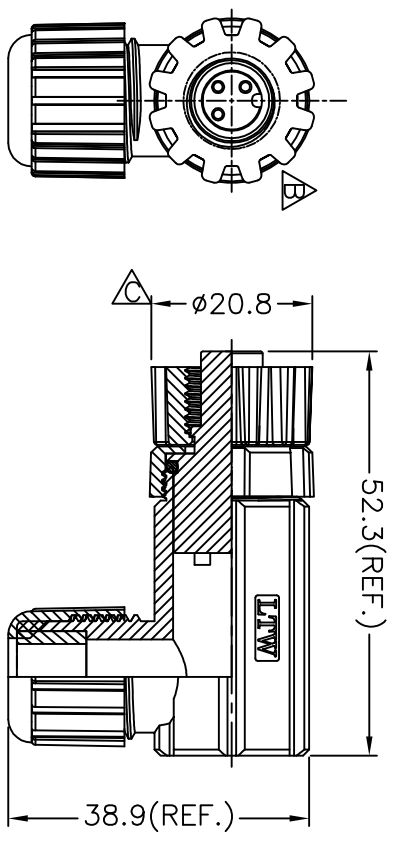


REV.	E	EGN NO.	2010.08.30	DATE	2010/08/26	SIGN.	Zhang Xing	DESCRIPTION	Change Connector Material.
B	LEN-080266	2008/08/12	Gao Ling	Change Dimension.					
C									



Note:

- * Waterproof Rate : IP67
- * Connector: PPO V0150B,Black
- * Pin: Copper Alloy,Gold Plated
- * O-Ring 1: Viton,Green.
- * O-Ring 2: EPDM,Black.
- * Holder: Nylon+GF,Black
- * Clamp Ring: Nylon 66,Black.
- * Gasket: EPDM,Black.
- * Sealing Nut:Black,Nylon 66.
- * Nut:Black,Nylon+GF,Black.
- * Seals For Cable OD ϕ 4.5mm~ ϕ 6.0mm
- * Temperature Range: -40°C~+85°C.

UNIT:mm		TITLE		ITEM NO		DRAWN BY		DATE	
M12 Screw In Female Conn		3Pin A Code		12P-03BFFB-SR7001		Zhang Xing		2010/08/26	
TOLERANCE		SCALE		DMG NO		CHECKED BY		DATE	
±0.25		F/Free		12P-03BFFB-SR7001		Ting		2010/08/26	
±0.1		SIZE		CUSTOMER		APPROVED BY		DATE	
±0.05		A4		ALTW		Can		2010/08/26	
ANGLES		REV.		SHEET		OF			
±1°		C		1		1			
				: Inspection Item					