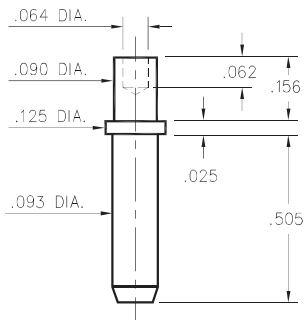
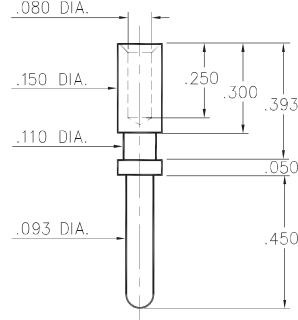


5231



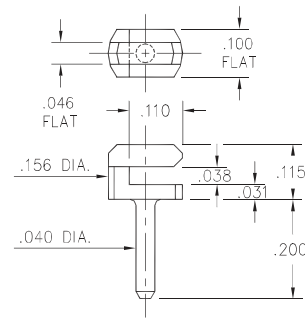
5231-0-00-XX-00-00-38-0
Swage mount in .094 hole.
For .125 thick board.

9092



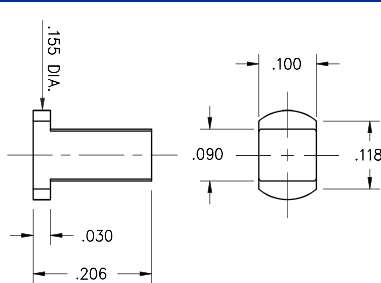
9092-0-00-XX-00-00-38-0
Wire Termination.

7310



7310-0-01-XX-00-00-08-0
Board edge press-fit

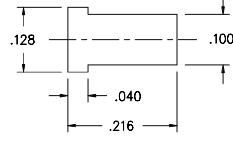
7937



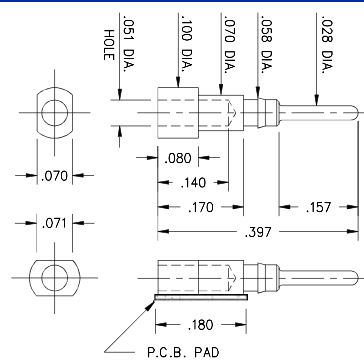
7937-0-00-15-00-00-03-0
Target Contact, Horizontal surface mount
Also available on 16mm wide carrier
tape: 2,400 parts per 13" reel.
Order as: 7937-0-58-15-00-00-03-0



P.C.B. Layout



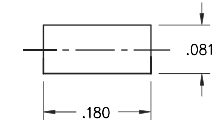
1502



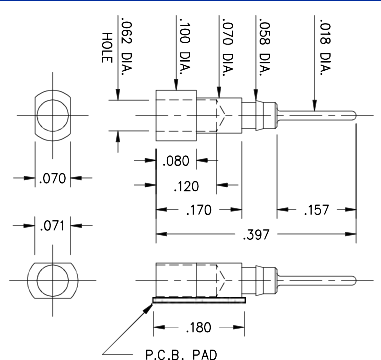
1502-0-00-XX-00-00-33-0
Press-fit in .057 mounting hole



P.C.B. Layout



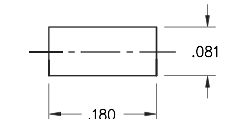
5102



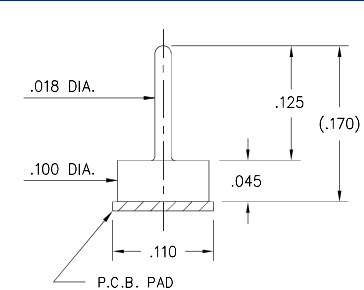
5102-0-00-XX-00-00-33-0
Press-fit in .057 mounting hole



P.C.B. Layout



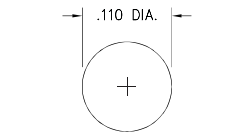
1508



1508-0-00-15-00-00-03-0
Testpoint Pin, Surface mount
Also available on 16mm wide carrier
tape: 1,600 parts per 13" reel.
Order as: 1508-0-57-15-00-00-03-0



P.C.B. Layout



SPECIFICATIONS

PIN MATERIAL:
Brass Alloy 360, 1/2 Hard
(Except Swage pins which
are annealed)

DIMENSION IN INCHES
TOLERANCES ON:
LENGTHS: ±.005
DIAMETERS: ±.002
ANGLES: ± 2°



ORDER CODE: XXXX - X - 0X - XX - 00 - 00 - XX - 0

BASIC PART #

SPECIFY PIN FINISH:

- 01 200µ" TIN/LEAD OVER NICKEL
- ◇ 80 200µ" TIN OVER NICKEL (RoHS)
- ◇ 15 10µ" GOLD OVER NICKEL (RoHS)
- ◇ 21 20µ" GOLD OVER NICKEL (RoHS)
- ◇ 34 50µ" GOLD OVER NICKEL (RoHS)