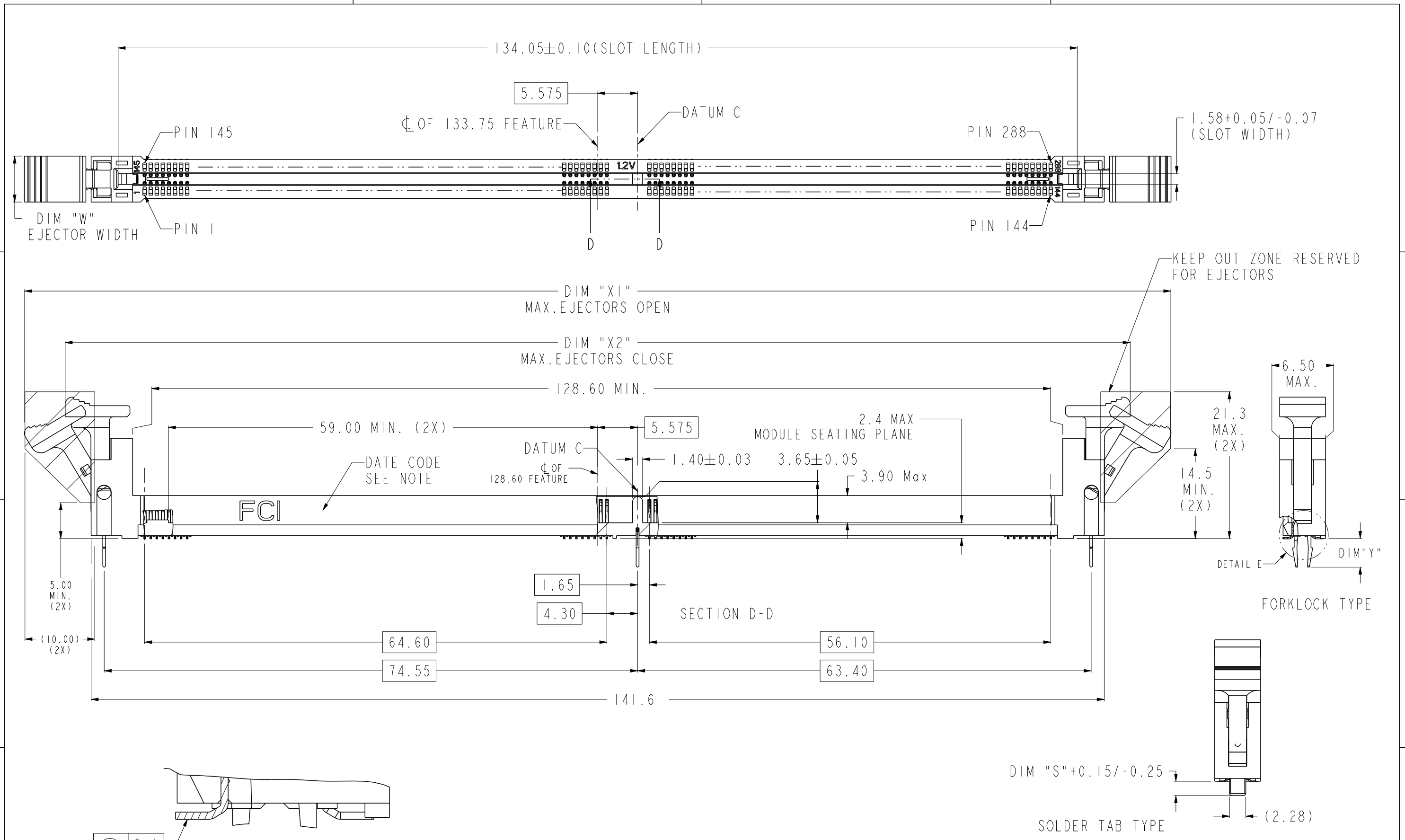


Amphenol
FCi

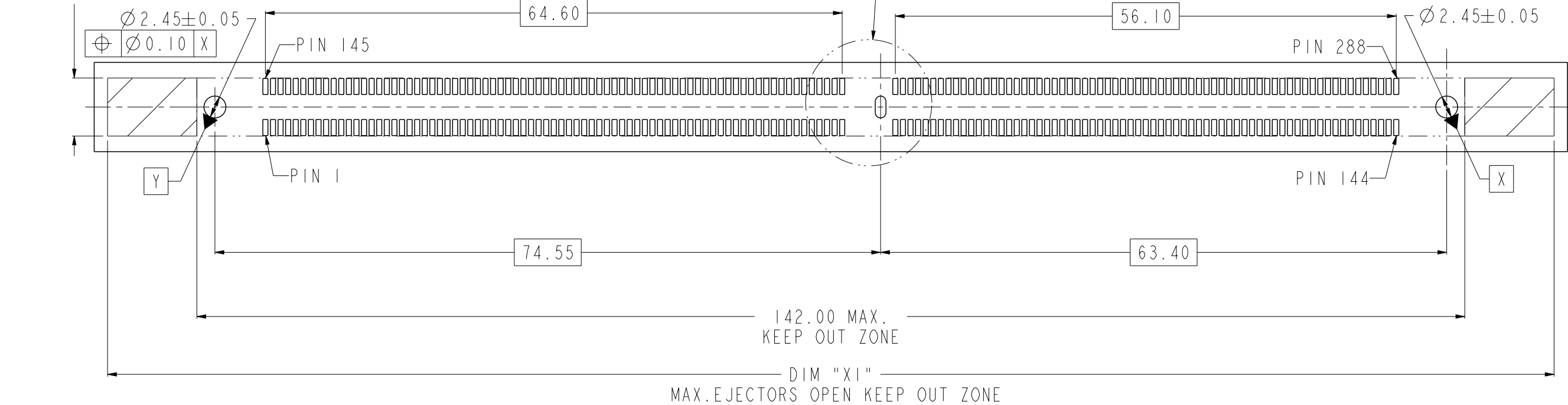
© 2016 AFCI



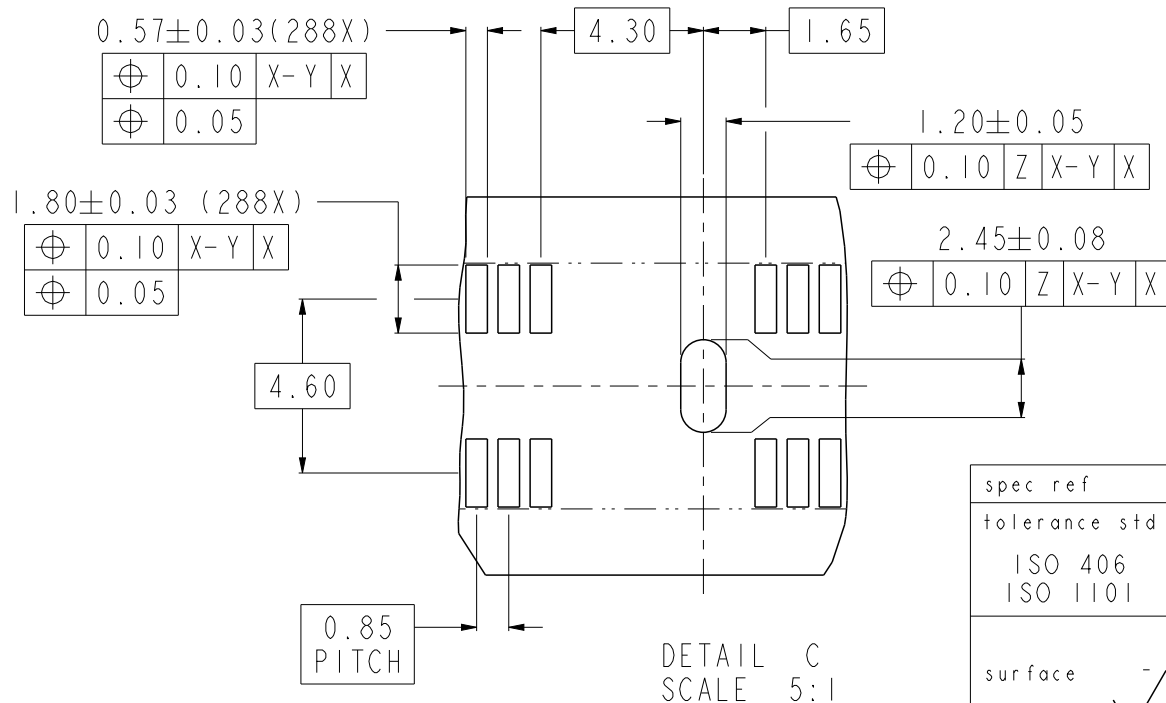
spec ref	-	dr	Nickor Zuo	2013/05/30	projection	mm	size	A3	scale	1:1	
tolerance std	ISO 406 ISO 1101	eng	Jeny Ren	2018/06/19			ecn no	ELX-DG-30475-1			
TOLERANCES UNLESS OTHERWISE SPECIFIED		chr	-	-				rel level	Released		
surface	linear	appr	Nickor Zuo	2018/06/22	product family	-	dwg no	10124677		rev	F
ISO 1302	angular			cat. no.	-	Product - Customer Drw		sheet 1 of 5			

RECOMMENDED PCB LAYOUT
MORE INFORMATION REFER TO JEDEC SO-017

6.50 MAX.
KEEP OUT ZONE



THICKNESS
1.6~3.2mm



ADDITIONAL NOTES:

1. RECOMMENDED STENCIL THICKNESS IS NOT LESS THAN 0.15mm

spec ref	-	dr	Nickor Zuo	2013/05/30	projection	mm	size	A3	scale	1:1
tolerance std	ISO 406 ISO 1101	eng	Jeny Ren	2018/06/19			ecn no	ELX-DG-30475-1		
surface	ISO 1302	chr	-	2018/06/22			product family	-	rel level	Released
linear	0.X ±0.30 0.XX ±0.20 0.XXX ±0.10	Amphenol FCI		DDR4 288 PIN DIMM CONNECTOR		dwg no	10124677		rev	F
angular	0° ±2°	cat. no.		-	Product - Customer Drw		sheet 3 of 5			

PRODUCT PART NUMBER

10124677-□□□□□□□□

ADDITIONAL REQUIREMENTS

0: DEFAULT

HOLD DOWNS CONFIGURATIONS

- 0: 3 FORKLOCKS, DIM "Y"=4.00±0.25
- 1: 3 FORKLOCKS, DIM "Y"=2.50±0.25
- 2: 3 FORKLOCKS, DIM "Y"=3.78±0.25
- 3: 3 SOLDER TABS, DIM"S"=2.00
- 5: 2 SOLDER TABS AT BOTH END +1 FORKLOCK AT MIDDLE
DIM "Y"=4.00±0.25
- 6: 3 SOLDER TABS, DIM"S"=1.50

MYLAR AND PACKAGE

- 0. WITH MYLAR(LENGTH=30mm),HARD TRAY PACKAGE
- 1. WITH MYLAR(LENGTH=90mm),HARD TRAY PACKAGE
- 2. WITHOUT MYLAR, HARD TRAY PACKAGE
- 3. WITHOUT MYLAR, SPECIFIED HARD TRAY PACKAGE (OMIT FOUR CORNERS)
- 4. WITH CAP, HARD TRAY PACKAGE

HOUSING COLOR

- 0: NATURAL
- 1: BLACK
- 2: BLUE

SMT TAIL PLATING

LF: 100u" MIN. MATTE TIN
TL: 100u" MIN. TIN LEAD

CONTACT AREA PLATING

CONTACTS LUBRICATION

- 0: WITHOUT
- 1: WITH

EJECTOR TYPE

CODE	CONTACT AREA	UNDERPLATING
1	15u" MIN.GOLD	50u" MIN.NICKEL
3	30u" MIN.GOLD	
4	30u" MIN.GXT	
5	15u" MIN.GXT	90u" MIN.NICKEL
6	30u" MIN.GOLD	
7	15u" MIN.GOLD	

CODE	COLOR	DIM"X1" MAX.EJECTORS OPEN DISTANCE	DIM"X2" MAX.EJECTORS CLOSE DISTANCE	DIM"W" EJECTOR WIDTH	EJECTOR FIGURE
0	NATURAL	162.00	149.00	(6.42)	
1	BLACK				
D	BLUE				
3	NATURAL	153.00	143.00	(6.42)	
4	BLACK				
S	SEE NOTE 7				
H	GREEN				
B	NATURAL	153.00	143.00	(6.42)	
C	BLACK				
6	NATURAL	158.00	146.00	(4.00)	
7	BLACK				
E OR J	NATURAL	156.00	146.00	(6.42)	
F OR K	BLACK				
U	BLUE				

CODE	COLOR	DIM"X1" MAX.EJECTORS OPEN DISTANCE	DIM"X2" MAX.EJECTORS CLOSE DISTANCE	DIM"W" EJECTOR WIDTH	EJECTOR FIGURE
R	NATURAL	157.00	146.00	(6.42)	
P	BLACK				
V	BLUE				

spec ref	-	dr	Nickor Zuo	2013/05/30	projection	mm	size	A3	scale	1:1
tolerance std	ISO 406 ISO 1101	eng	Jeny Ren	2018/06/19		←→	ecn no	ELX-DG-30475-1		
	TOLERANCES UNLESS OTHERWISE SPECIFIED	chr	-	-	product family	-	rel level	Released		
surface	linear	appr	Nickor Zuo	2018/06/22	DDR4 288 PIN DIMM CONNECTOR		dwg no	10124677	rev	F
	angular				SMT TERMINATION					
	0.X ±0.30	cat. no.	-	Product - Customer Drw	sheet 4 of 5					
	0.XX ±0.20									
	0.XXX ±0.10									
	0° ±2°									

Amphenol FCI

© 2016 AFCI

PRODUCT PART NUMBER

10124677-□□□□□□□□

ADDITIONAL REQUIREMENTS

1: LOW HALOGEN

HOLD DOWNS CONFIGURATIONS

- 0: 3 FORKLOCKS, DIM "Y"=4.00±0.25
- 1: 3 FORKLOCKS, DIM "Y"=2.50±0.25
- 2: 3 FORKLOCKS, DIM "Y"=3.78±0.25
- 3: 3 SOLDER TABS, DIM"S"=2.00
- 5: 2 SOLDER TABS AT BOTH END +1 FORKLOCK AT MIDDLE
DIM "Y"=4.00±0.25
- 6: 3 SOLDER TABS, DIM"S"=1.50

MYLAR AND PACKAGE

- 0. WITH MYLAR(LENGTH=30mm),HARD TRAY PACKAGE
- 1. WITH MYLAR(LENGTH=90mm),HARD TRAY PACKAGE
- 2. WITHOUT MYLAR, HARD TRAY PACKAGE
- 3. WITHOUT MYLAR, SPECIFIED HARD TRAY PACKAGE (OMIT FOUR CORNERS)

HOUSING COLOR

- 0: NATURAL
- 1: BLACK
- 2: BLUE

EJECTOR TYPE

CODE	COLOR	DIM"X1" MAX.EJECTORS OPEN DISTANCE	DIM"X2" MAX.EJECTORS CLOSE DISTANCE	DIM"W" EJECTOR WIDTH	EJECTOR FIGURE
0	NATURAL	162.00	149.00	(6.42)	
1	BLACK				
3	NATURAL	153.00	143.00		
4	BLACK				

SMT TAIL PLATING

LF: 100u" MIN. MATTE TIN
TL: 100u" MIN. TIN LEAD

CONTACT AREA PLATING

CONTACTS LUBRICATION

- 0: WITHOUT
- 1: WITH

CODE	CONTACT AREA	UNDERPLATING
1	15u" MIN.GOLD	50u" MIN.NICKEL
3	30u" MIN.GOLD	
4	30u" MIN.GXT	
5	15u" MIN.GXT	90u" MIN.NICKEL
6	30u" MIN.GOLD	
7	15u" MIN.GOLD	

NOTES:

1. MATERIALS:
HOUSING: HIGH PERFORMANCE RESINS, GLASS FIBER FILLED, UL94 V-0 RATED.
EJECTOR: HIGH PERFORMANCE RESINS, GLASS FIBER FILLED, UL94 V-0 RATED.
TERMINAL: COPPER ALLOY
FORKLOCK: COPPER ALLOY
SOLDER TAB: COPPER ALLOY
2. STENCIL THICKNESS IS NOT LESS THAN 0.15mm.
3. DATE CODE "MMDDYYL", MMDDYY IS ASSEMBLY DATE, L IS FCI PRODUCTION LINE.
4. SPECIFICATION:
PRODUCTION SPECIFICATION: FCI GS-12-1092.
PACKAGE SPECIFICATION: FCI GS-14-2267.
APPLICATION SPECIFICATION: FCI GS-20-0353.
5. LEAD FREE PRODUCT MEETS EUROPEAN UNION DIRECTIVES AND OTHER COUNTRY REGULATIONS AS DESCRIBED IN FCI GS-22-008.
6. THIS PRODUCT WILL WITHSTAND EXPOSURE TO 260°C PEAK TEMPERATURE FOR 10 SECONDS IN REFLOW SOLDERING APPLICATION.
7. NATURE EJECTOR NEAR PIN 1#+BLACK EJECTOR NEAR PIN 288#

spec ref	-	dr	Nickor Zuo	2013/05/30	projection		mm	size	A3	scale	1:1
tolerance std	ISO 406 ISO 1101	eng	Jeny Ren	2018/06/19	chr	-		ecn no	ELX-DG-30475-1		
	TOLERANCES UNLESS OTHERWISE SPECIFIED	appr	Nickor Zuo	2018/06/22	product family	-		rel level	Released		
surface	linear	0.X	±0.30	Amphenol FCi	DDR4 288 PIN DIMM CONNECTOR SMT TERMINATION	dwg no	10124677	rev	F		
		0.XX	±0.20								
		0.XXX	±0.10								
ISO 1302	angular	0°	±2°	cat. no.	-	Product - Customer Drw	sheet 5 of 5				

Amphenol
FCi

© 2016 AFCI

Mouser Electronics

Authorized Distributor

Click to View Pricing, Inventory, Delivery & Lifecycle Information:

[FCI / Amphenol:](#)

10124677-0001001LF	10124677-0001303LF	10124677-0301106LF	10124677-0301006LF	10124677-0100613LF
10124677-0311403LF	10124677-0621403LF	10124677-0101603LF	10124677-0100E13LF	10124677-0021D03LF
10124677-1612301LF	10124677-1611301LF	10124677-0301K13LF	10124677-0201116LF	10124677-1611001LF
10124677-1612001LF	10124677-0001K03LF	10124677-0121F13LF	10124677-0131F14LF	10124677-0120E13LF
10124677-0611001LF	10124677-0301103LF	10124677-0501D01LF	10124677-1602001LF	10124677-1601001LF
10124677-0101E13LF	10124677-0001403LF	10124677-0000J03LF	10124677-0001101LF	10124677-0021D01LF
10124677-0301C03LF	10124677-0021101LF	10124677-0001D01LF	10124677-0501101LF	10124677-0130E13LF
10124677-0311C03LF	10124677-0131F13LF	10124677-0301J13LF	10124677-0101011LF	10124677-0311B03LF
10124677-0501103LF	10124677-0301011LF	10124677-0501F03LF	10124677-0301B03LF	10124677-0101F13LF
10124677-0301114LF	10124677-0101S03LF	10124677-0100303LF	10124677-0101413LF	10124677-0100E14LF
10124677-0101F14LF	10124677-0101303LF	10124677-0201003LF	10124677-0020103LF	10124677-0301013LF
10124677-0101713LF	10124677-0001103LF	10124677-0001113LF	10124677-0001716LF	10124677-0021103LF
10124677-0000001LF	10124677-2401306LF	10124677-0301S03LF	10124677-0000716LF	10124677-1301003LF
10124677-0501S01LF	10124677-0501P01LF	10124677-0201D01LF	10124677-1001003LF	10124677-0201101LF
10124677-0501V01LF	10124677-0201113LF	10124677-1302003LF	10124677-0300003LF	10124677-0311103LF
10124677-0001C03LF	10124677-0301401LF	10124677-0301403LF	10124677-0111F13LF	10124677-1001107LF
10124677-0101116LF	10124677-1301001LF	10124677-0021P03LF	10124677-0021P01LF	10124677-0301F03LF
10124677-0521V03LF	10124677-0501P03LF	10124677-0501V03LF	10124677-1611003LF	10124677-0100F13LF
10124677-0021V01LF	10124677-0311P03LF	10124677-0311003LF	10124677-0312D03LF	10124677-1303001LF
10124677-1612003LF	10124677-0311V03LF	10124677-0121E13LF	10124677-0102F13LF	10124677-0001P03LF