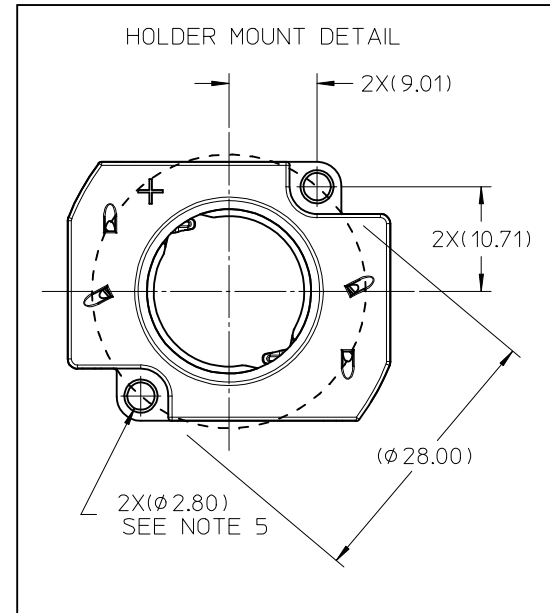
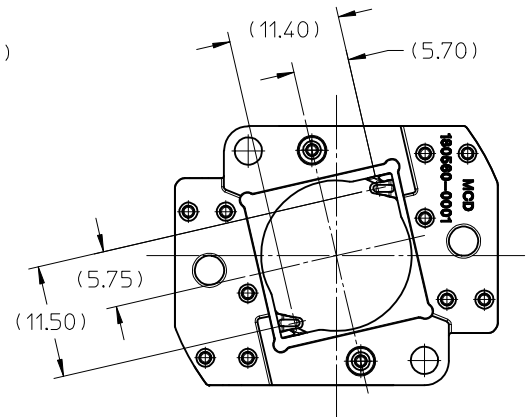
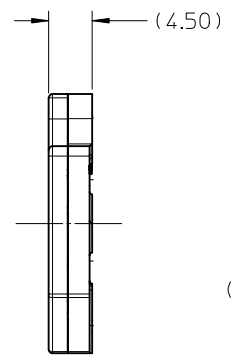
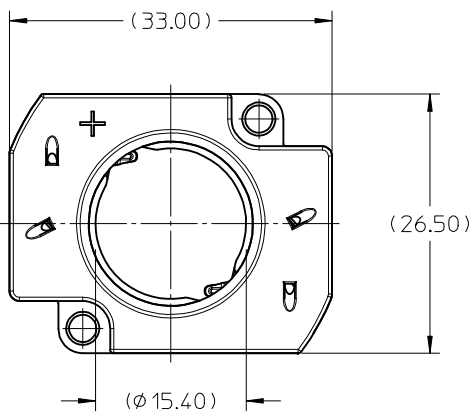
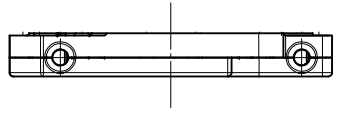
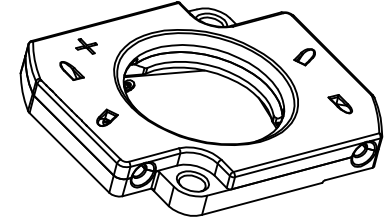


PART NUMBER	DESCRIPTION	MATERIAL	COLOR
180560-0001	LED HOLDER - PBT	POLYESTER, GLASS FILLED	WHITE
180560-0101	LED HOLDER - NYLON	POLYAMIDE, GLASS FILLED	NATURAL
180560-0002	LED HOLDER w/PRE-HOLD - PBT	POLYESTER, GLASS FILLED	WHITE
180560-0102	LED HOLDER w/PRE-HOLD - NYLON	POLYAMIDE, GLASS FILLED	NATURAL

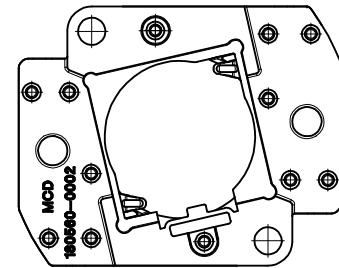
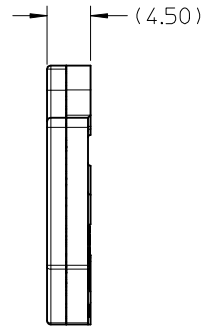
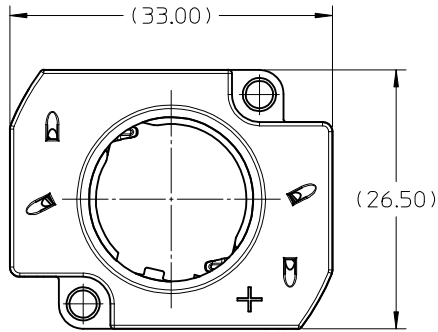
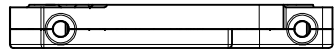
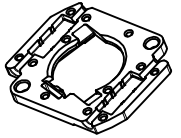


- NOTES:
- 1) MATERIALS: SEE CHART.
 - 2) WIRE TRAP TERMINALS: COPPER ALLOY.
a. FINISH: SELECTIVE GOLD OVER NICKEL.
 - 3) THIS PRODUCT IS ELV AND ROHS COMPLIANT.
 - 4) APPLICABLE WIRE GAUGE - 18 OR 22 AWG
a. SOLID WIRE IS RECOMMENDED.
b. IF STRANDED WIRE IS USED, PRE-TINNED IS RECOMMENDED.
c. 11.0mm±1.0mm STRIP LENGTH IS RECOMMENDED.
 - 5) MOUNT HOLDER USING M2.5 SCREWS (2); 0.40 MIN - 0.80 MAX NEWTON METERS TORQUE.
 - 6) ALL DIMENSIONS IN PARENTHESES "(X.XX)" ARE FOR REFERENCE ONLY.
 - 7) UL:0LFB2 UL496 FILE: E345583.

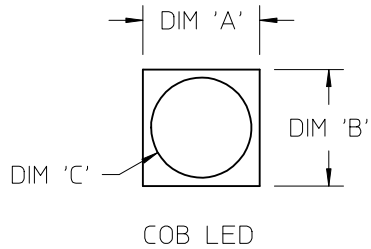
180560-0001
180560-0101

ENTER DESCRIPTION EC NO: SSL2017-0012 DRAWN: ZABJANOVSKI 2016/08/17 CHKD: APPR: GMEYER 2016/09/21 REV A2	QUALITY SYMBOLS	GENERAL TOLERANCES (UNLESS SPECIFIED)	DIMENSION STYLE MM ONLY	SCALE 2:1	DESIGN UNITS METRIC	THIRD ANGLE PROJECTION
	$\nabla Z=0$	mm INCH	DRAWN BY DATE FJAKLIC 2012/08/10	TITLE COB HOLDER ASSEMBLY 15.85MM X 15.85MM		
	$\nabla Y=0$	4 PLACES ± --- ± ---	CHECKED BY DATE MCOLE 2013/10/31			
	$\nabla X=0$	3 PLACES ± --- ± ---	APPROVED BY DATE DMCGOWAN 2012/08/17			
		1 PLACE ± 0.25 ± ---	MATERIAL NO.	DOCUMENT NO.		
		0 PLACE ± --- ± ---	SEE CHART	SD-180560-001		SHEET NO. 1 OF 2
		ANGULAR ± 1/2°	THIS DRAWING CONTAINS INFORMATION THAT IS PROPRIETARY TO MOLEX INCORPORATED AND SHOULD NOT BE USED WITHOUT WRITTEN PERMISSION			

10	9	8	7	6	5	4	3	2	1
COB MFG	TYPE	DIM 'A'	DIM 'B'	THICKNESS	DIM 'C'				
CREE	CXA1507	15.85	15.85	1.15	10.5				
CREE	CXA1510	15.85	15.85	1.15	10.5				
CREE	CXA1512	15.85	15.85	1.15	10.5				
CREE	CXA1520	15.85	15.85	1.00	10.5				
CREE	CXB1507	15.85	15.85	1.15	10.5				
CREE	CXB1512	15.85	15.85	1.15	10.5				
CREE	CXB1520	15.85	15.85	1.00	10.5				
BRIDGELUX	H9	15.85	15.85	1.10	10.5				



180560-0002
180560-0102



ENTER DESCRIPTION EC NO: SSL2017-0012 DRAWN: ZABJANOVSKI 2016/08/17 CHKD: APPR: GMEYER 2016/09/21 A2	QUALITY SYMBOLS $\nabla/0$ $\nabla/0$ $\nabla/0$	GENERAL TOLERANCES (UNLESS SPECIFIED) <table border="1"> <thead> <tr> <th></th> <th>mm</th> <th>INCH</th> </tr> </thead> <tbody> <tr> <td>4 PLACES</td> <td>± ---</td> <td>± ---</td> </tr> <tr> <td>3 PLACES</td> <td>± ---</td> <td>± ---</td> </tr> <tr> <td>2 PLACES</td> <td>± 0.13</td> <td>± ---</td> </tr> <tr> <td>1 PLACE</td> <td>± 0.25</td> <td>± ---</td> </tr> <tr> <td>0 PLACE</td> <td>± ---</td> <td>± ---</td> </tr> </tbody> </table>		mm	INCH	4 PLACES	± ---	± ---	3 PLACES	± ---	± ---	2 PLACES	± 0.13	± ---	1 PLACE	± 0.25	± ---	0 PLACE	± ---	± ---	DIMENSION STYLE MM ONLY DRAWN BY: FJAKLIC DATE: 2012/08/10 CHECKED BY: MCOLE DATE: 2013/10/31 APPROVED BY: DMCGOWAN DATE: 2012/08/17	SCALE 2:1 DESIGN UNITS METRIC THIRD ANGLE PROJECTION	TITLE COB HOLDER ASSEMBLY 15.85MM X 15.85MM
		mm	INCH																				
	4 PLACES	± ---	± ---																				
	3 PLACES	± ---	± ---																				
2 PLACES	± 0.13	± ---																					
1 PLACE	± 0.25	± ---																					
0 PLACE	± ---	± ---																					
ANGULAR ±1/2° DRAFT WHERE APPLICABLE MUST REMAIN WITHIN DIMENSIONS	MATERIAL NO. SEE CHART	DOCUMENT NO. SD-180560-001	SHEET NO. 2 OF 2																				
THIS DRAWING CONTAINS INFORMATION THAT IS PROPRIETARY TO MOLEX INCORPORATED AND SHOULD NOT BE USED WITHOUT WRITTEN PERMISSION																							

Mouser Electronics

Authorized Distributor

Click to View Pricing, Inventory, Delivery & Lifecycle Information:

[Molex:](#)

[180560-0002](#)