



Connectivity Solutions

Complete or Partial Part #,
Competitor Part # or
Keywords.

Wireless

CATV

Audio & Video

Networking &
Structured Wiring

Military & Aerospace

Test & Measurement

[Home](#)
[Member Access](#)
Products
[Connectors](#)
[Microwave Components](#)
[CATV Components](#)
[Coaxial Cable Assemblies](#)
[Structured Cabling & Connectors](#)
[Tools & Accessories](#)
Customer Service
[Request For Quote](#)
[Representatives](#)
[Distributors](#)
[Literature/Catalog Request](#)
[What's New](#)
[About Our Brands](#)
[Legal Terms](#)

© 2007 All Rights Reserved

Product Detail



Product Line:	Johnson (Click for customer service)
Part Number:	108-0745-002
Description:	Banana Jack - Insulated Pierced Lug Terminal
Product Family:	BANANA JACK
Body Material:	Brass per QQ-B-626D
Color / Finish:	Black
Contact Material:	Brass
Contact Finish:	Nickel
Contact Termination:	Solder
Current:	15 amps
Desc 2:	Pierced Lug Terminal
Description:	Insulated
For Use With:	.175 (4.44) Banana Plug
Panel Thickness:	Up to .281 (7.15)
Breakdown Voltage:	1500 Vrms min.
RoHS Compliant:	Yes

20070523-1523

Banana Jack - Insulated Pierced Lug Terminal

SPECIFICATIONS

Contact: Brass per QQ-B-626D

Finish: Nickel

Hex Head: Molded phenolic

Hardware: Nickel plated nut, fiber insulating washer and stamped tin plated solder terminal (unassembled)

Panel Thickness: Up to .281 (7.15)

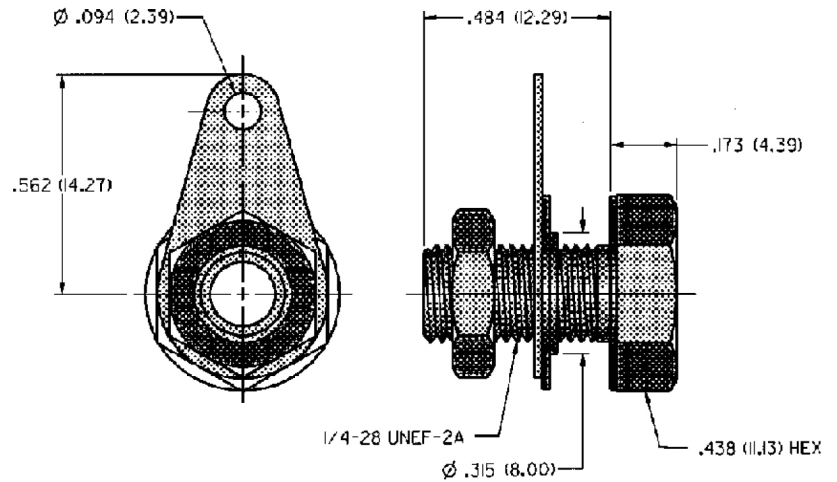
RATINGS

Current: 15 amps

Breakdown Voltage: 1500 Vrms minimum †

Contact Resistance: 0.010 ohms maximum

Contact-To-Panel: 2.4 pF nominal



NICKEL PLATING

108-0745-002 Black

For Standard Banana Plug: .175 (4.44) Across Flats

FEATURES:

- Withstands extreme temperatures and abuse
- Stamped tin plated solder terminal with hole for up to 12 gauge wire
- Integrally molded hex head for fast installation