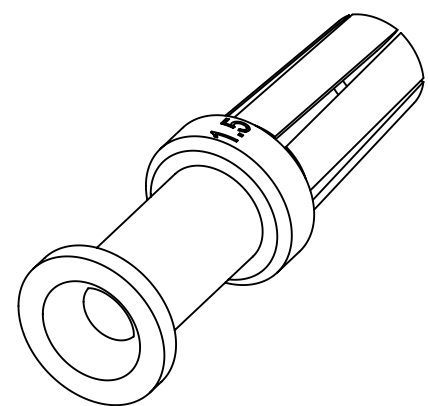
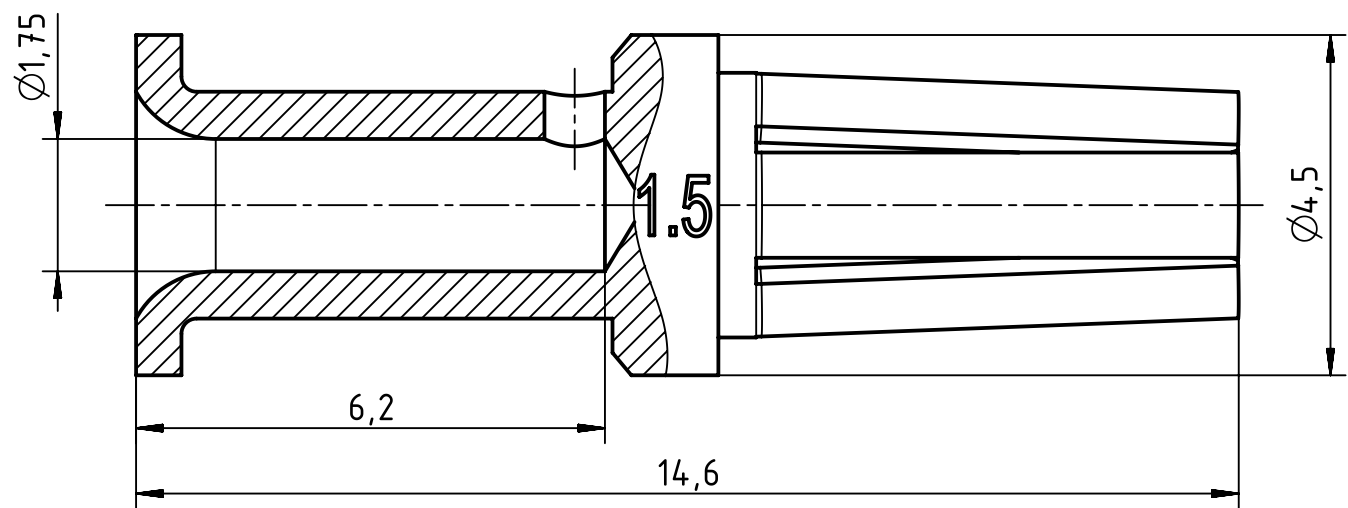


A

B

C

D



wire gauge: 1,5mm<sup>2</sup> / AWG 16  
 stripping length: 6,5mm  
 coating: gold plated

	All rights reserved Department EL PD - DE	All Dimensions in mm Original Size DIN A4		Scale 10:1	Free size tol.		Ref.	
		HARTING Electric GmbH & Co. KG D-32339 Espelkamp		Created by HOLLERT	Inspected by RIEPE	Standardisation TIEMANNA	Date 2013-11-28	State Final Release
Title Han-Yellock crimp contact female 1.5mm <sup>2</sup>							Doc-Key / ECM-Nr. 100523615/UGD/001/B 500000068615	
Type TB				Number 11 05 000 6225			Rev. B	Page 1/1