

4

3

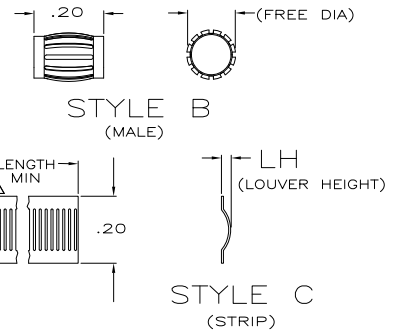
2

1

THIS DRAWING IS UNPUBLISHED. RELEASED FOR PUBLICATION  
 © COPYRIGHT BY TYCO ELECTRONICS CORPORATION. ALL RIGHTS RESERVED.

LOC	DIST	REVISIONS					
FT	0	P	LTR	DESCRIPTION	DATE	MIN	APD
		K		REV PER ECO-10-003458	22FEB10	RG	DO

(FREE DIA)	LH	STYLE	MATING DIA	NUM LOUV	MAT'L (NOTE NO)	PLATING	MAT'L THK	REF	PART NUMBER	
[.09]	[.016]	B	[.080]	6	12	1-2	0.12[.005]	--	5-192045-4	OBsolete
[.09]	[.016]	B	[.080]	6	12	UNPL	0.12[.005]	--	5-392045-3	OBsolete
[5.98]	[.020]	B	[6.040]	667	12	1-2	0.12[.005]	05091	5-192045-2	OBsolete
[5.98]	[.020]	B	[5.980]	667	12	UNPL	0.12[.005]	05085	5-192045-1	OBsolete
[5.00]	[.020]	B	[5.040]	557	12	1-2	0.12[.005]	05092	5-192045-0	OBsolete
[5.00]	[.020]	B	[4.980]	557	12	UNPL	0.12[.005]	05084	4-192045-9	OBsolete
[4.84]	[.020]	B	[4.880]	539	12	1-2	0.12[.005]	05093	4-192045-8	OBsolete
[4.68]	[.020]	B	[4.660]	521	12	UNPL	0.12[.005]	05083	4-192045-7	OBsolete
[3.38]	[.020]	B	[3.410]	375	12	1-2	0.12[.005]	05089	4-192045-6	OBsolete
[3.22]	[.020]	B	[3.000]	335	12	1-2	0.12[.005]	--	4-192045-5	OBsolete
[3.22]	[.016]	B	[3.000]	335	12	1-2	0.12[.005]	05086	4-192045-4	OBsolete
[2.76]	[.016]	B	[2.750]	305	12	1-2	0.12[.005]	05073	4-192045-3	OBsolete
[2.07]	[.020]	B	[2.100]	228	12	3-2	0.12[.005]	05090	4-192045-2	OBsolete
[1.51]	[.020]	B	[1.500]	166	12	3-2	0.15[.006]	--	4-192045-1	OBsolete
		B	[1.375]	153	13	1-2	0.12[.005]	05087	4-192045-0	OBsolete
[1.13]	[.018]	B	[1.120]	122	12	UNPL	0.12[.005]	05177	3-192045-9	OBsolete
[.97]	[.020]	B	[.950]	105	12	1-2	0.12[.005]	05094	3-192045-8	OBsolete
[.97]	[.020]	B	[.950]	105	12	UNPL	0.12[.005]	05101	3-192045-7	OBsolete
[.95]	[.016]	B	[.938]	102	12	1-2	0.12[.005]	05074	3-192045-6	OBsolete
[.70]	[.016]	B	[.688]	74	12	1-2	0.12[.005]	05072	3-192045-5	OBsolete
[.66]	[.020]	B	[.625]	70	12	3-2	0.15[.006]	05024	3-192045-4	OBsolete
[.67]	[.018]	B	[.598]	71	13	3-2	0.12[.005]	05178	3-192045-3	OBsolete
[.48]	[.020]	B	[.504]	54	12	3-2	0.15[.006]	05123	3-192045-2	OBsolete
[.48]	[.020]	B	[.504]	54	12	1-2	0.15[.006]	05021	3-192045-1	OBsolete
[.48]	[.020]	B	[.504]	54	12	UNPL	0.15[.006]	--	3-192045-0	OBsolete
								05171	2-192045-9	OBsolete
								05170	2-192045-8	OBsolete
[.47]	[.016]	B	[.433]	49	12	3-2	0.15[.006]	05140	2-192045-7	OBsolete
[.43]	[.020]	B	[.399]	44	12	3-2	0.12[.005]	05020	2-192045-6	OBsolete
[.39]	[.016]	B	[.375]	39	12	1-2	0.12[.005]	05076	2-192045-5	OBsolete
[.32]	[.020]	B	[.312]	32	12	UNPL	0.12[.005]	05100	2-192045-4	OBsolete
[.27]	[.020]	B	[.250]	26	12	3-2	0.15[.006]	05017	2-192045-3	OBsolete
[.26]	[.016]	B	[.250]	26	12	1-2	0.12[.005]	05071	2-192045-2	OBsolete
								05186	2-192045-1	OBsolete
[.18]	[.020]	B	[.164]	16	12	3-2	0.15[.006]	05014	2-192045-0	OBsolete
[.18]	[.020]	B	[.164]	16	12	UNPL	0.15[.006]	05028	1-192045-9	OBsolete
[.17]	[.016]	B	[.156]	14	12	1-2	0.12[.005]	05075	1-192045-8	OBsolete
								05027	1-192045-7	OBsolete
[.15]	[.020]	B	[.140]	12	12	6-7	0.10[.004]	05187	1-192045-6	OBsolete
[.15]	[.020]	B	[.140]	12	12	3-2	0.10[.004]	05166	1-192045-5	OBsolete
[.15]	[.020]	B	[.140]	12	12	UNPL	0.10[.004]	05165	1-192045-4	OBsolete
[.14]	[.020]	B	[.125]	11	12	1-2	0.12[.005]	05096	1-192045-3	OBsolete
[.022]	C	--	--	12	5-2	0.10[.004]	05119	1-192045-2	OBsolete	
[.022]	C	--	--	12	3-2	0.15[.006]	05002	1-192045-1	OBsolete	
[.022]	C	--	--	12	UNPL	0.15[.006]	05048	1-192045-0	OBsolete	
[.018]	C	--	--	12	UNPL	0.15[.006]	--	192045-9	OBsolete	
[.029]	C	--	--	12	1-2	0.12[.005]	--	192045-8	OBsolete	
[.029]	C	--	--	12	UNPL	0.12[.005]	05185	192045-7	OBsolete	
[.022]	C	--	--	12	3-2	0.12[.005]	--	192045-6	OBsolete	
[.022]	C	--	--	12	1-2	0.12[.005]	05097	192045-5	OBsolete	
[.022]	C	--	--	12	UNPL	0.12[.005]	05055	192045-4	OBsolete	
[.018]	C	--	--	12	UNPL	0.12[.005]	--	192045-3	OBsolete	
[.027]	C	--	--	12	3-2	0.10[.004]	05164	192045-2	OBsolete	
[.027]	C	--	--	12	UNPL	0.10[.004]	05167	192045-1	OBsolete	



1. FINISH-SILVER PLATE 200 uIN THICK MIN.
  2. FINISH-NICKEL PLATE 40 uIN THICK MIN.
  3. FINISH-GOLD PLATE 10 uIN THICK MIN.
  4. FINISH-GOLD PLATE 50 uIN THICK MIN.
  5. FINISH-GOLD PLATE 20 uIN THICK MIN.
  6. FINISH-GOLD PLATE 200 uIN THICK MIN.
  7. FINISH-COPPER PLATE 10 uIN THICK MIN.
  - 8.
  - 9.
  - 10.
  11. PLATING NOTES ARE TO BE INTERPRETED AS FOLLOWS, 6-8 AS 6 OVER 8.
  12. MATERIAL-CDAI72, BeCu.
  13. MATERIAL-STAINLESS STEEL.
14. PRODUCT IS SOLD BY THE FOOT.  
 15. 72 INCH STRIP WOUND TO ONE INCH INSIDE DIAMETER.  
 16. PRELIMINARY PART NO.  
 17. OBSOLETE PARTS: OBSOLETE CIS STREAMLINING PER D.RENAUD/D.SINISI

THIS DRAWING IS A CONTROLLED DOCUMENT.		DATE	08-04-93	Tyco Electronics Corporation Harrisburg, Pa 17105-3608	
DIMENSIONS:	INCHES	DESIGNED BY	J. LUERNER	NAME	CONTACT BAND, LAV MALE
		PRODUCT SPEC			
		APPLICATION SPEC			
MATERIAL	SEE TABLE	FINISH		SIZE	A2 00779 C=192045
				RESTRICTED TO	
				CUSTOMER DRAWING	SCALE 1:1 SHEET 1 OF 2 REV K

