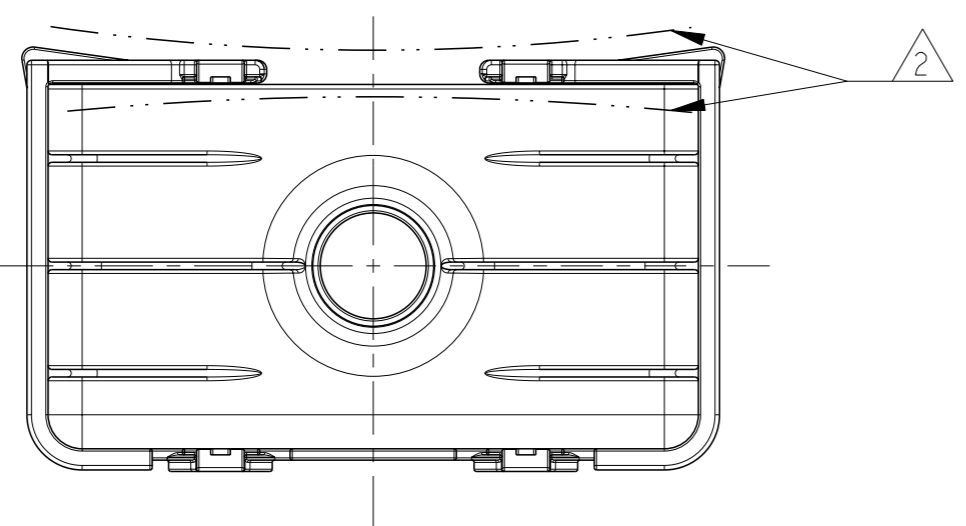
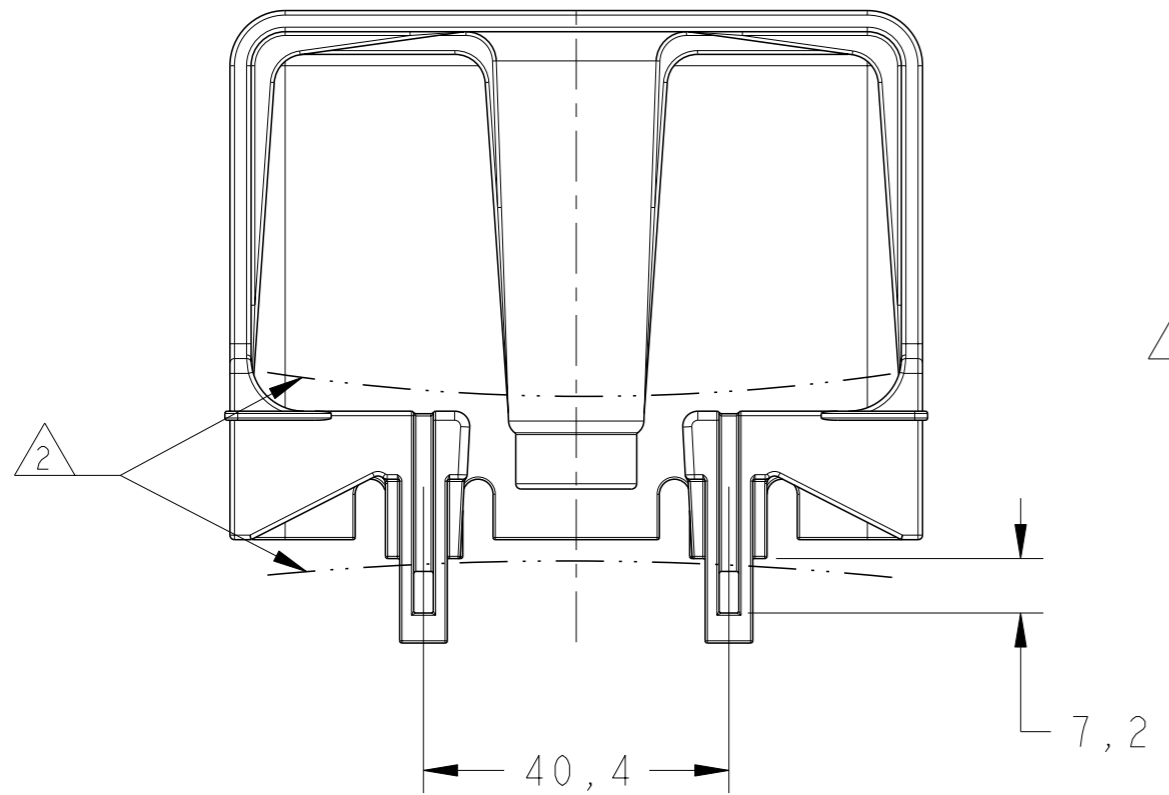
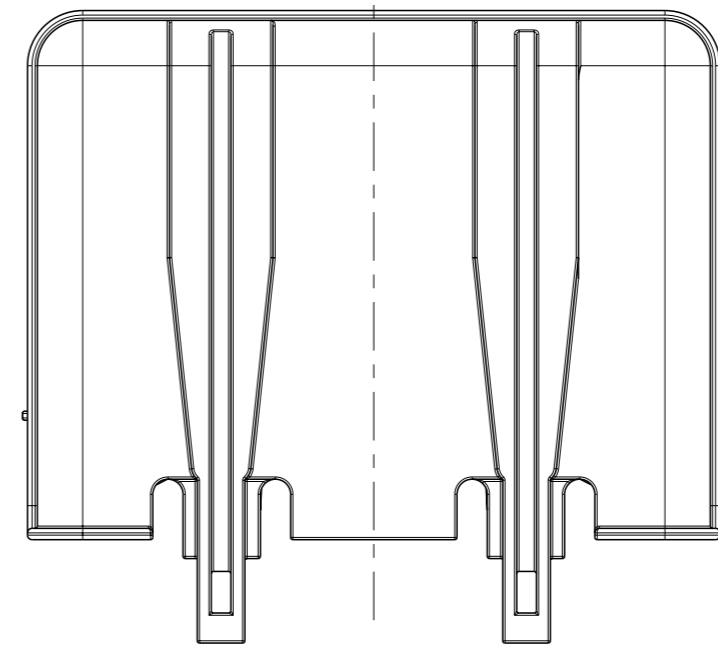
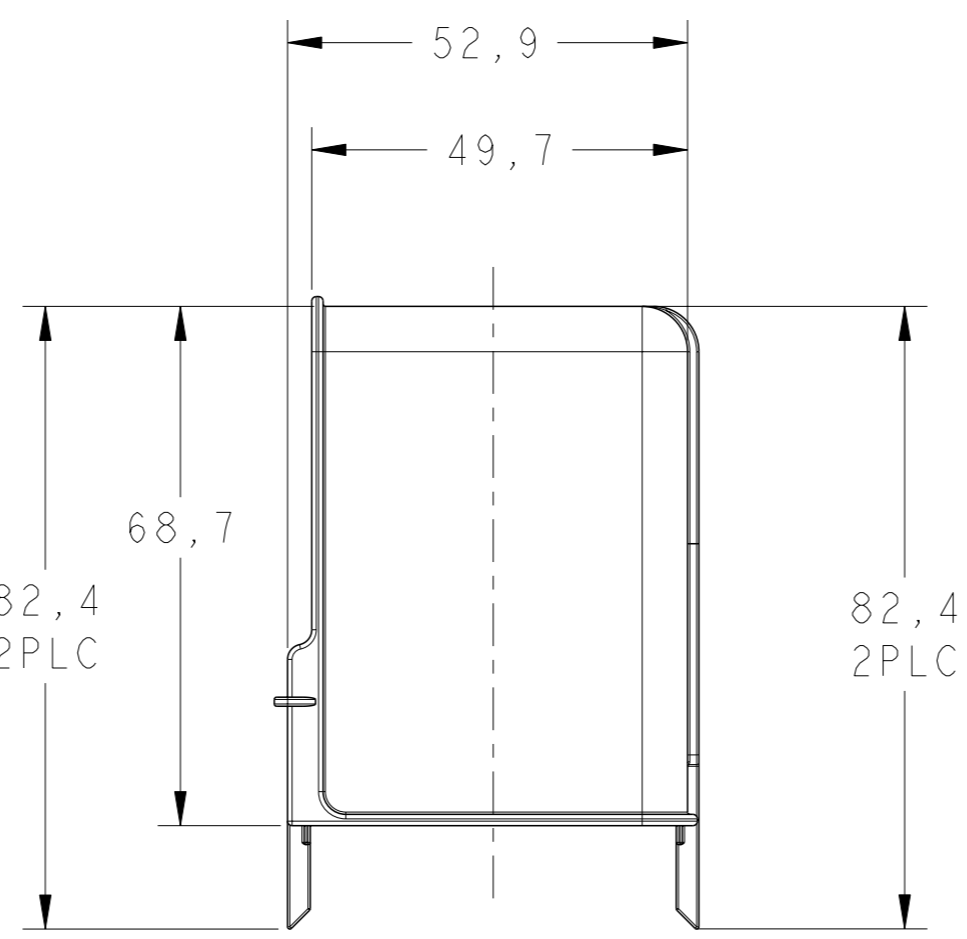
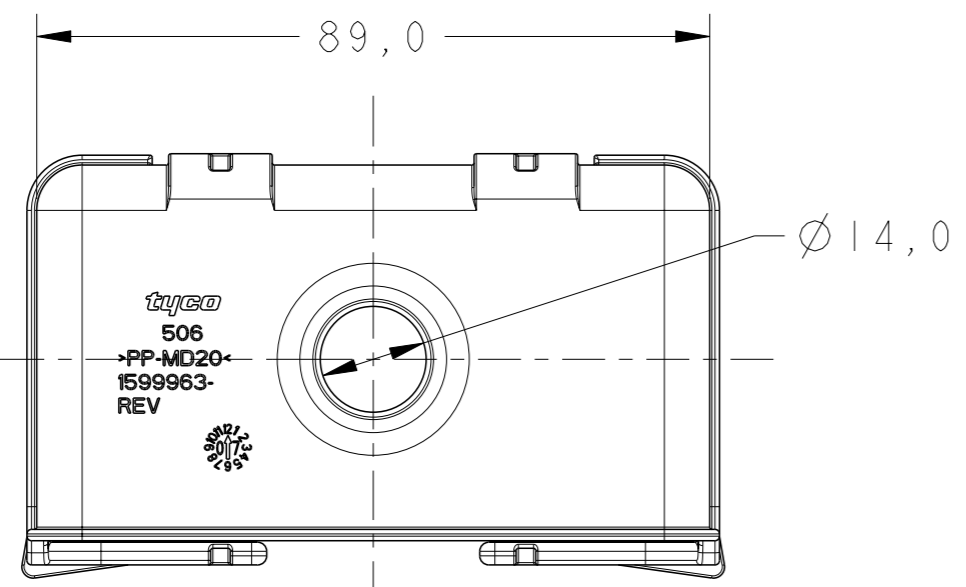
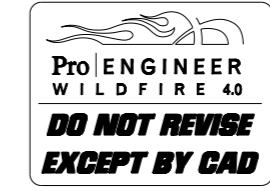


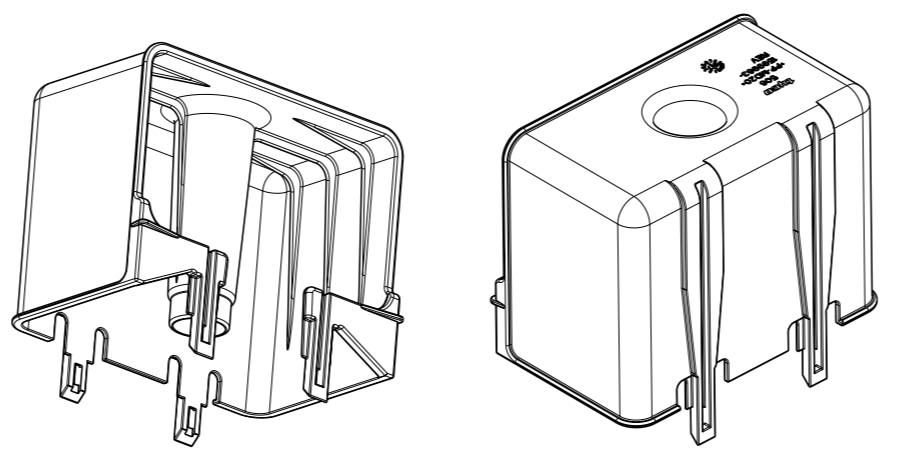
THIS DRAWING IS UNPUBLISHED. RELEASED FOR PUBLICATION 20  
 © COPYRIGHT 20 ALL RIGHTS RESERVED.

LOC	DIST	REVISIONS			
P	LTR	DESCRIPTION	DATE	DWN	APVD
AP	-				
B		REVISED BY ECO-07-028175	03NOV2007	NCL	MR
C		CHANGED STATUS ECO-11-009754	21JUN2011	MAS	MG



GRAVAÇÕES
MARKINGS
LOGOTIPO TE
TE LOGO
CÓDIGO PAÍS PRODUTOR
MANUFACTURER COUNTRY CODE
NOMENCLATURA MATERIAL
MATERIAL NOMENCLATURE
NÚMERO COMPONENTE TE
TE COMPONENT NUMBER
NÚMERO CAVIDADE
CAVITY NUMBER
RELÓGIO DATADOR
DATE CODE
REV+ LETRA REV.DA PEÇA
REV.+ PART REV.LETTER

△1 - PEÇA PROTÓTIPO      △1 - PROTOTYPE PART  
 △2 - EMPENAMENTO: 1,00mm MAX.      △2 - WARPAGE: 1,00mm MAX.



PERSPECTIVE VIEWS  
SCALE 1:2

<b>OBSELET</b>	PRETO / BLACK	>PP-MD20<	1599963-2
	PRETO / BLACK	>PP-MD20<	1599963-1
	FINISH	MATERIAL	PART NUMBER

THIS DRAWING IS A CONTROLLED DOCUMENT.		DWN	22AUG2006	R.K.S.T.IEME	
DIMENSIONS:		CHK	22AUG2006	P.L.FARIA	
mm	TOLERANCES UNLESS OTHERWISE SPECIFIED:	APVD	22AUG2006	D.A.OLIVEIRA	
	0 PLC ±	PRODUCT SPEC	-	NAME	
	1 PLC ±0,3	APPLICATION SPEC	-	SIZE	CAGE CODE
	2 PLC ±	WEIGHT	-	A2	-
	3 PLC ±	CUSTOMER DRAWING	SCALE	1:1	SHEET
	4 PLC ±				OF
	ANGLES ±1°				REV
	FINISH				C
SEE TABLE	SEE TABLE	D.W. 1599963		RESTRICTED TO	



COVER 76WAYS BACKSHELL