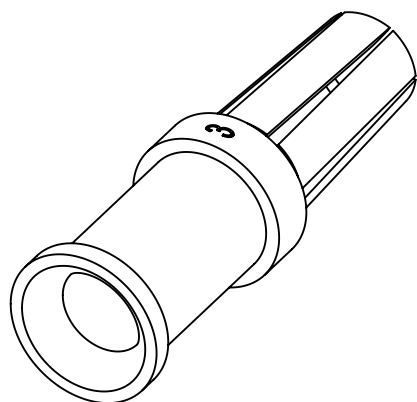



wire gauge: 3mm² / AWG 12
 stripping length: 6,5mm
 coating: gold plated



	All rights reserved Department EL PD - DE	Created by HOLLERT	Inspected by RIEPE	Standardisation TIEMANNA	Date 2013-11-28	State Final Release	
	HARTING Electric GmbH & Co. KG D-32339 Espelkamp	Title Han-Yellock crimp contact female 3mm ²				Doc-Key / ECM-Nr. 100523588/UGD/001/B 500000068615	
		Type TB	Number 11 05 000 6227			Rev. B	Page 1/1