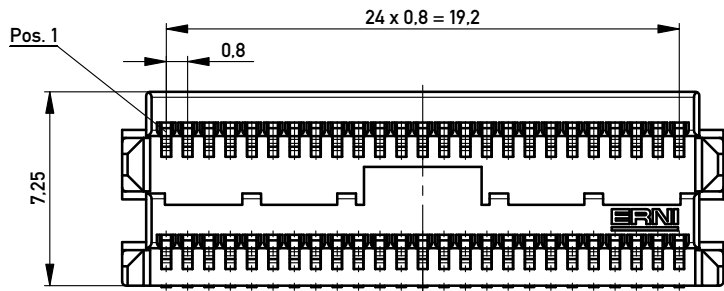
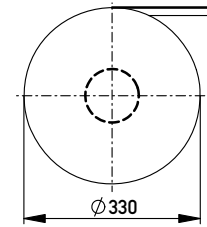
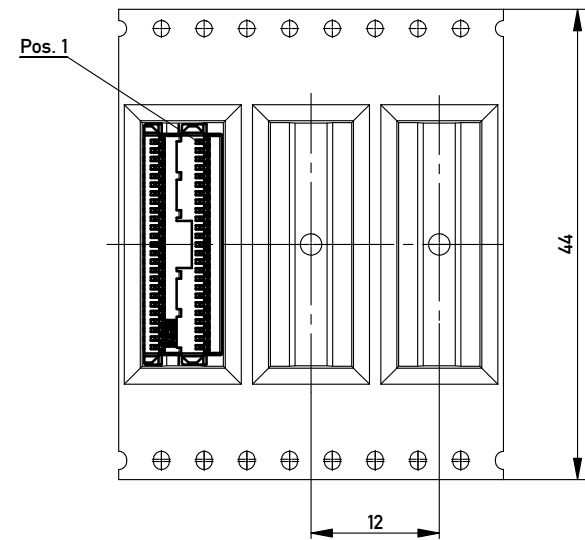


Verpackt in Gurtverpackung
Tape on Reel Packaging
Verpackungseinheit: 800 Stück
Packaging unit: 800 pcs

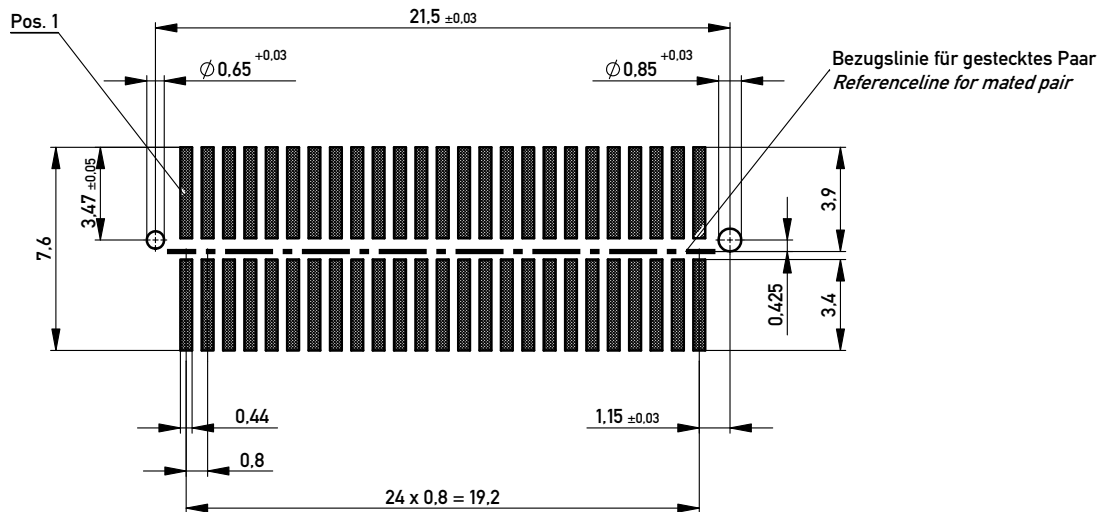


Koplanarität der Anschlüsse $\leq 0,1\text{mm}$
Coplanarity area of termination $\leq 0,1\text{mm}$

Abspulrichtung - Reel off Direction



Leiterplatten-Layout Vorschlag
PCB-Layout Proposal



RoHS: 6/6
MSL: 1

zweireihig, mit Zapfen

2 row, with pegs

Information:	Tolerances	All Dimensions in mm	Scale	5:1
	All rights reserved. Only for Information. To ensure that this is the latest version of this drawing, please contact one of the ERNI companies before using.			
Subject to modification without prior notice. Drawing will not be updated.	Designation			
	MicroStac Steckverb., 50 polig MicroStac Conn., 50 contacts			
www.ERNI.com	114713		I	
	Class		MICROS	
i	13.12.2012			A3
Index	Date			

Copyright by ERNI GmbH. Proprietary notice pursuant to ISO 9006 to be observed.

Mouser Electronics

Authorized Distributor

Click to View Pricing, Inventory, Delivery & Lifecycle Information:

[ERNI Electronics:](#)

[114713](#)