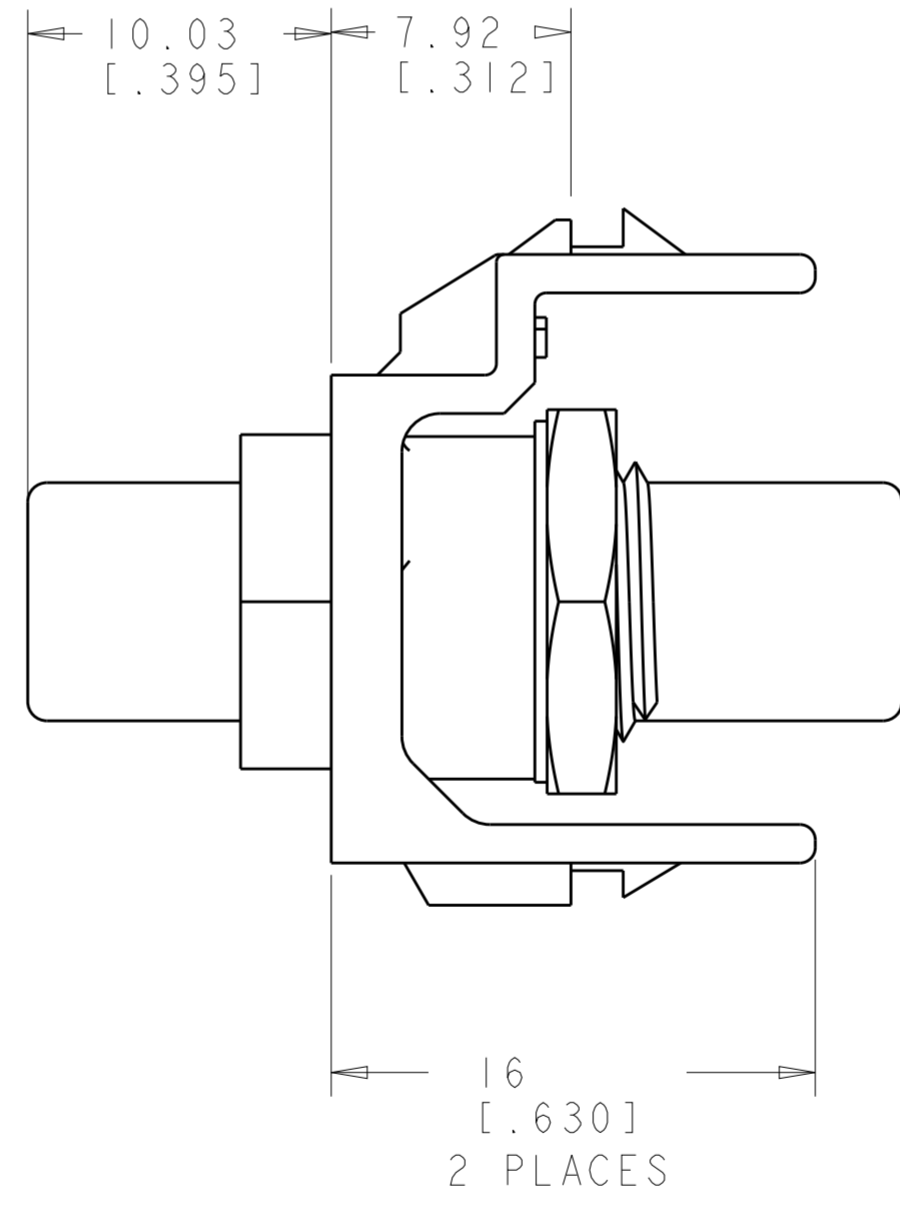
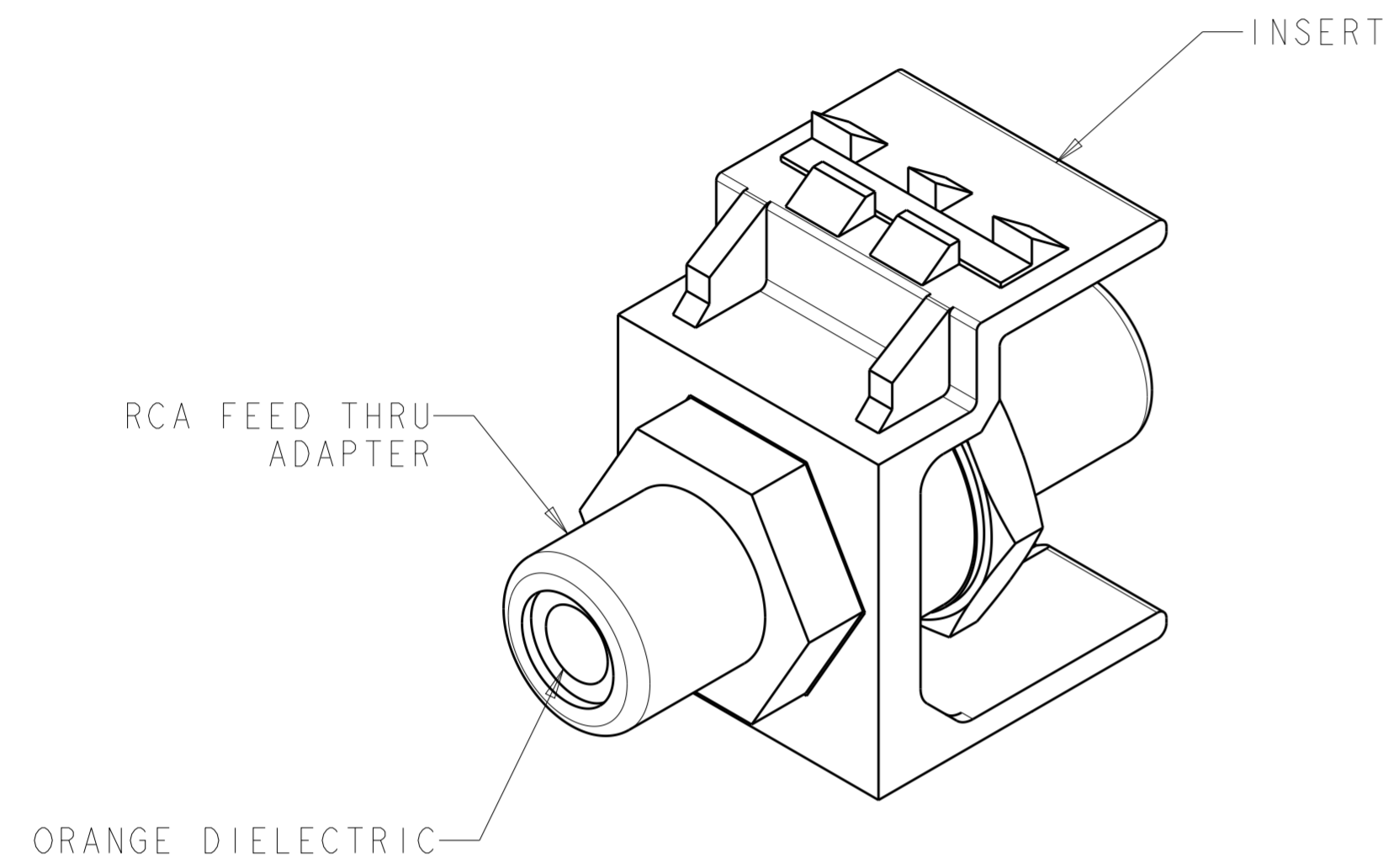


THIS DRAWING IS UNPUBLISHED. RELEASED FOR PUBLICATION 20
 © COPYRIGHT 20 BY - ALL RIGHTS RESERVED.

LOC	DIST	REVISIONS					
HM	00	P	LTR	DESCRIPTION	DATE	DWN	APVD
			C	ECO-13-007087	29APR2013	JM	RA



1 MATERIAL:
 INSERT - POLYCARBONATE MOLDING COMPOUND,
 SEE TABLE FOR COLOR.
 ADAPTER - BRASS, GOLD PLATED.

2 UNLESS OTHERWISE SPECIFIED ALL
 DIMENSIONS ARE SHOWN NOMINAL.

ALPINE WHITE	I-1933194-3
LIGHT ALMOND	1933194-1
COLOR	PART NUMBER

THIS DRAWING IS A CONTROLLED DOCUMENT.		DWN L SMITH 27NOV2006	TE Connectivity	
DIMENSIONS: MM [INCHES]		CHK G BOWMAN 27NOV2006		
TOLERANCES UNLESS OTHERWISE SPECIFIED:		APVD G BOWMAN 27NOV2006		
0 PLC ± 1 PLC ± 2 PLC ± 3 PLC ± 4 PLC ± ANGLES ± FINISH ±		NAME INSERT ASSEMBLY, RCA FEED-THRU, ORANGE, SL SERIES		
DIMENSIONS: MM [INCHES] 		PRODUCT SPEC -	SIZE A200779	CAGE CODE C-1933194
MATERIAL 1 -		APPLICATION SPEC -	RESTRICTED TO -	
1 -		WEIGHT -	SCALE 4:1 SHEET 1 OF 1 REV C	
CUSTOMER DRAWING				

Mouser Electronics

Authorized Distributor

Click to View Pricing, Inventory, Delivery & Lifecycle Information:

[TE Connectivity:](#)

[1-1933194-1](#)