

NEMA Motor Data



Ordering data : 1LE2121-1AA21-4AA3

Client order no. :
Order no. :
Offer no. :
Remarks :

Item no. :
Consignment no. :
Project :

Nameplate Data	Mounting and motor protection
----------------	-------------------------------

Type	GP100A - NEMA Premium Efficiency		
HP	1.5	Rating	Cont.
Voltage	(14) 208-230/460V,	Ins. Class	Class F (Standard)
Amps	4.0 / 2.0 A	S.F.	1.15
FL RPM	3525	Amb. Temp.	40 deg C
FL Efficiency	84.0 %	Temp. Rise	Class B
FRAME	143T	kVA Code	L
DE AFBMA	25BC02JPP30	NEMA Des	B
ODE AFBMA	25BC02JPP30	Mtr WT	35.05
60 Hertz	3 Ph	TEFC	IP 35

Type of construction	(A) Foot mounted - End shield
Motor protection	(A) No winding protection
Terminal box design	(3) Mounting - F-1

Bearing Data		
--------------	--	--

	DE	ODE
Bearing Size	6205 ZZ C3 S0	6205 ZZ C3 S0
Bearing Type	Ball Bearing	Ball Bearing
AFBMA	25BC02JPP30	25BC02JPP30

Typical Performance Data					
--------------------------	--	--	--	--	--

Load	No Load	1/2	3/4	Full Load	LRC
Efficiency		80.0 %	83.2 %	84.0 %	
Power Factor		64.2	77.0	83.6	
Current (A)	1.1 A	1.4 A	1.6 A	4.0 / 2.0 A	19.0 A
Inverter Duty	VT	20:1	CT	4:1	

Mechanical Data				
-----------------	--	--	--	--

SAFE STALL TIME	HOT (s)	14	COLD (s)	19
Rtr wt (lbs)	8.16	Rtr WK2	0.05	
FLT (lb-ft)	2.200	LRT	273	BDT 455
Ext Load Inertia (WK2) Capability	105.0 lb-ft ²			

Typical Noise Data									
--------------------	--	--	--	--	--	--	--	--	--

A-weighted Sound	Octave Band Center Frequencies Hertz (Hz)								
Pressure Level	125	250	500	1000	2000	4000	8000	SPL	74
at 3 feet	32	52	69	70	67	60	51	SPwRL	83

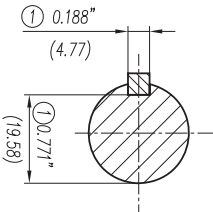
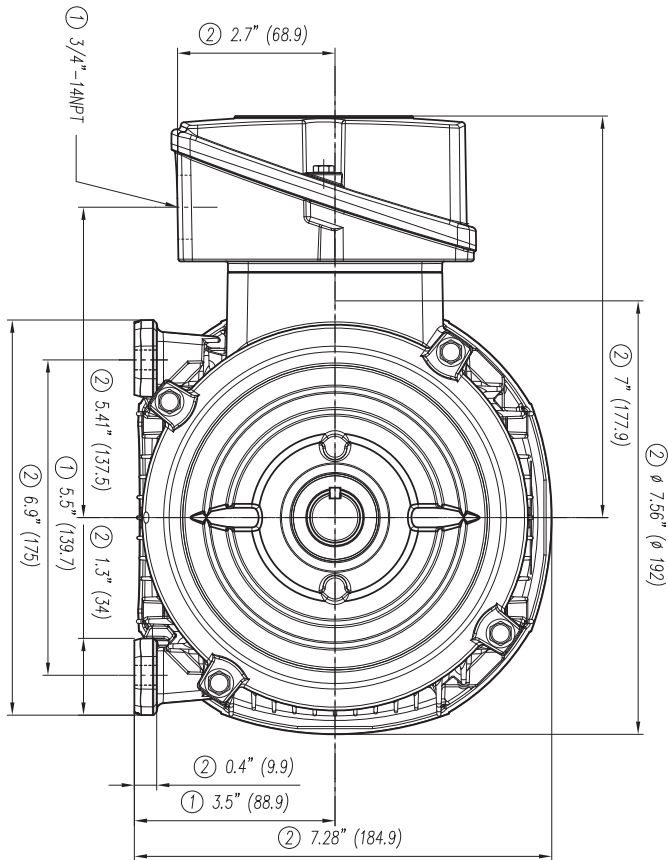
Wiring Connection Information					
-------------------------------	--	--	--	--	--

Description	3 PHASE - 9 LEAD - WYE				
Voltage	L1	L2	L3	Connected together	
LOW	T1 T7	T2 T8	T3 T9	T4 T5 T6	Y Y
HIGH	T1	T2	T3	T4 T7-T5 T8-T6 T9	Y

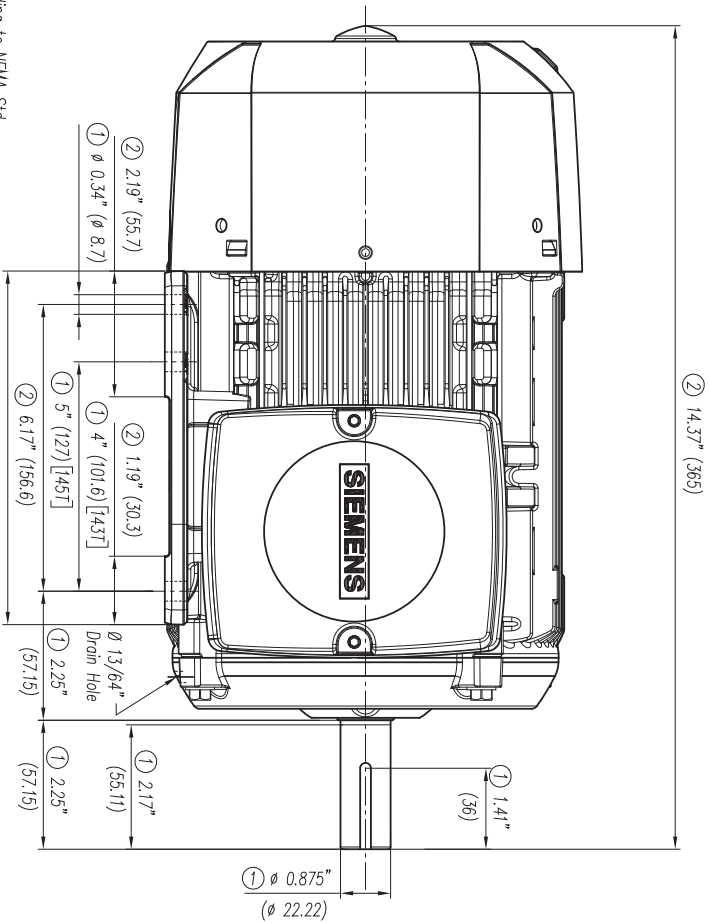
Special design :

Lubrication Information	
-------------------------	--

Manufacturer	Mobil Polyrex EM or equal
Type	Polyurea (standard)
DE Capacity (oz.)	0.10
ODEnd Capacity (oz.)	0.10



- ① Tolerances According to NEMA Std.
- ② All these dimensions corresponding to assemblies and castings shall have a tolerance as per DIN standard 1686-GTB-19.



CERTIFIED PRINT

CUSTOMER		SIR		TYPE		VOLT		HP		HZ	
MODEL		FRAME		VOLT		HP		HZ			

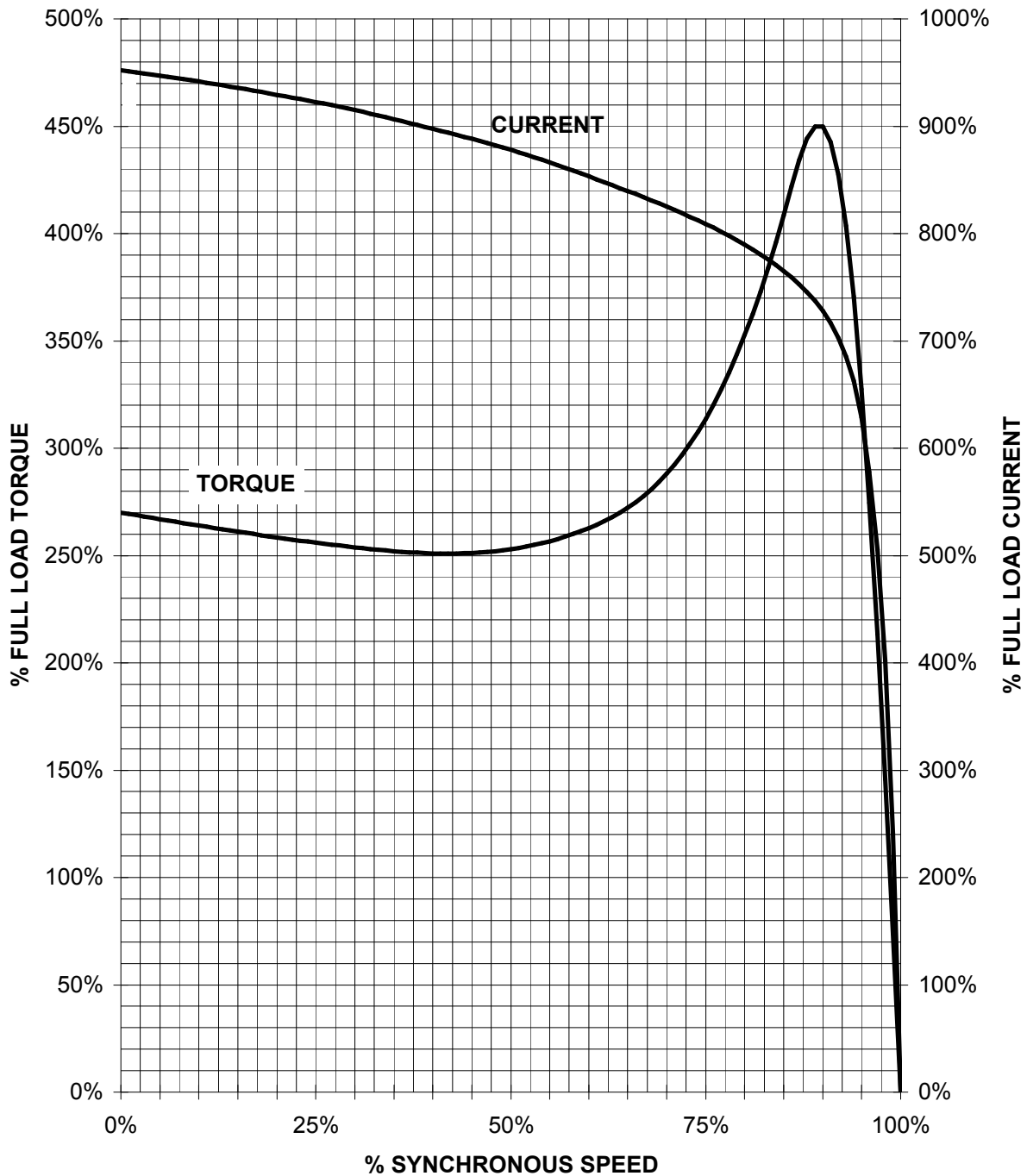
Tolerance in mm according to DIN-1686-GTB-19	Quantity	04.03.02.01	Part's and Measure	Drawing No. Norm No.	Item No.	Material	Weight Lbs.
to 18	± 4.5						
Over 18 to 30	± 4.7						
Over 30 to 50	± 5						
Over 50 to 80	± 5.5						
Over 80 to 120	± 6						
Over 120 to 180	± 6.5						
Over 180 to 250	± 7						
Over 250 to 315	± 7.5						
Over 315 to 400	± 8						
Over 400 to 500	± 8.5						
Over 500 to 630	± 9.5						
Over 630 to 800	± 10						
Remark							

European Projection	Modific.	Dimension Drawing NEMA	Scale
Drawn	Date	Name	W/O
Checked	6/JUL/2006	Fdo.Macias	
Std. Ckd.			
SIEMENS		GUADALAJARA FACTORY	
Ref.	3MSE 220 850	Replace	2/2

SIEMENS INDUSTRY, INC.

HP 1,5 VOLTS < 600V RPM 3600 TYPE GP100A
HZ 60 PHASE 3 FRAME 143T NEMA B

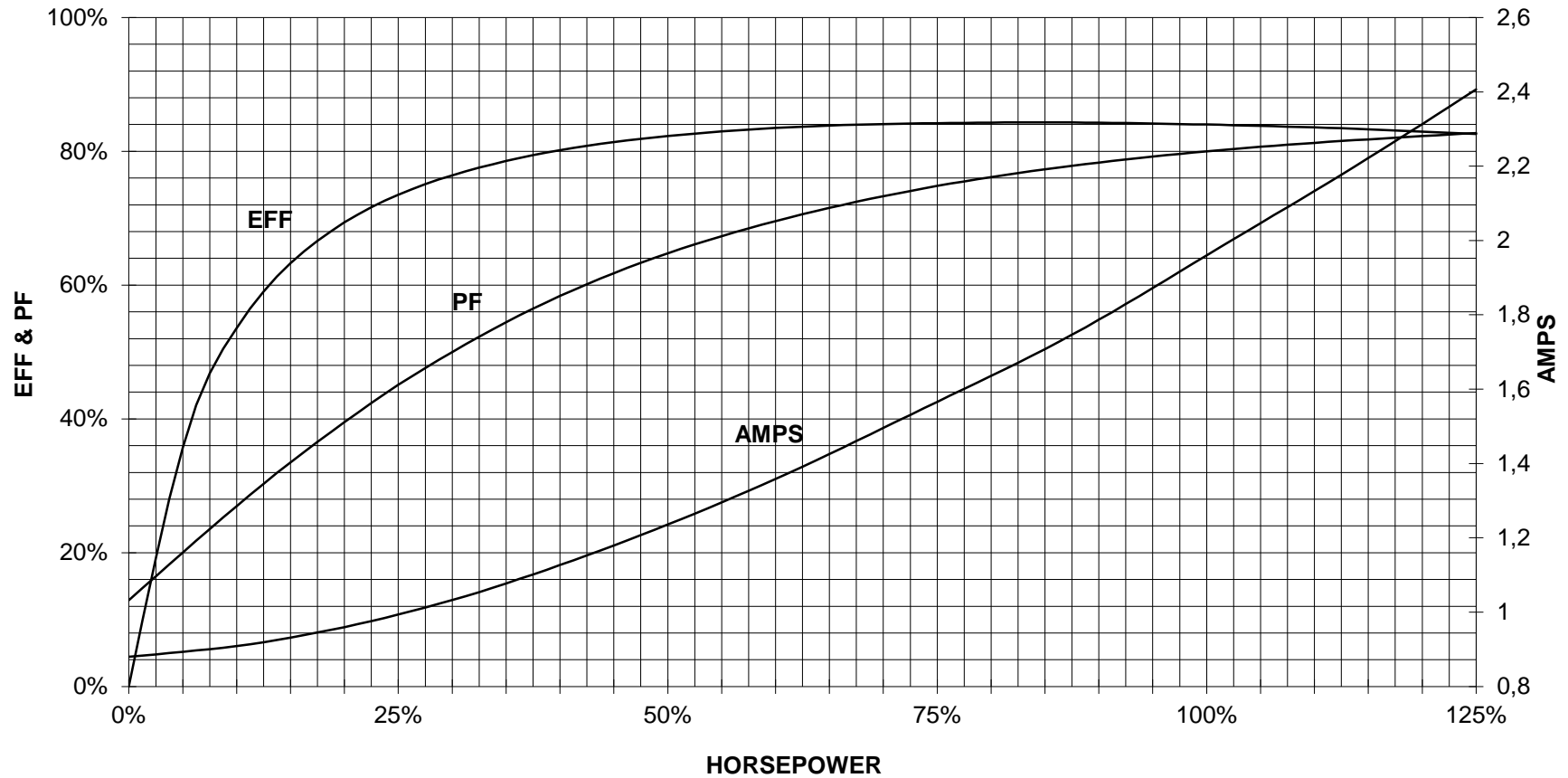
TORQUE & CURRENT VS. SPEED



CUSTOMER: _____ ORDER#: _____

1.5 HP 3600 RPM 143 FRAME 460 VOLTS 3 PHASE NEMA DESIGN B

SIEMENS INDUSTRY, INC.
PERFORMANCE CURVE
GP100A NP



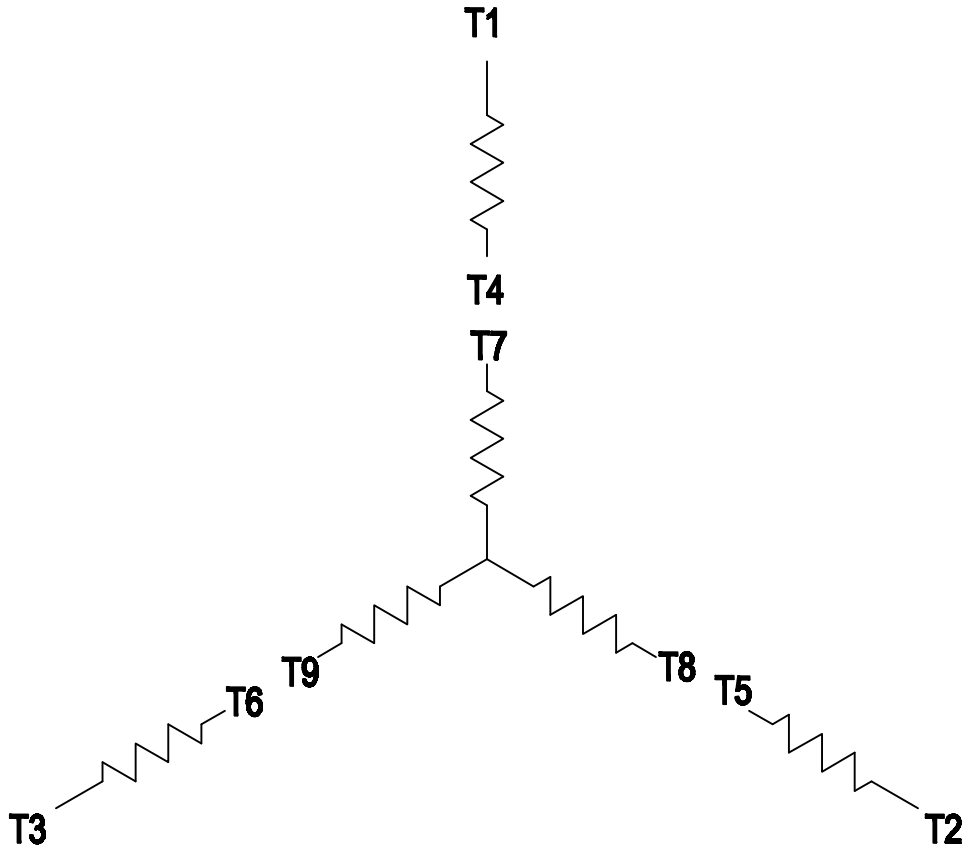
CUSTOMER _____ ORDER # _____ PO # _____

PERFORMANCE BASED ON DESIGN CALCULATIONS. SUBJECT TO CHANGE WITHOUT NOTICE.

REV. 1

3 PHASE - 9 LEADS - WYE

VOLTS	LINES			CONNECTED TOGETHER	CONN.
	L1	L2	L3		
LOW	T1 T7	T2 T8	T3 T9	T4 T5 T6	Y Y
HIGH	T1	T2	T3	T4 T7-T5 T8-T6 T9	Y



THIS IS A CAD DRAWING
DO NOT MAKE MANUAL CHANGES

01 | 09-27-07

TYPE

-CONFIDENTIAL-

PROPERTY OF

Siemens Energy & Automation, Inc.
Industrial Motor Division - Little Rock, AR

FRAME

HP

NAME

WIRING DIAGRAM

VOLTS

RPM

HZ

PH

3

Customer

PO #

SO #

DRAWN	9.24.07	DATE	JRH
CHECKED		DATE	
APP		DATE	

SHEET 1 OF 1

Sim. To

PART NO.

51-382-114-501

A