

# MC 1,5/ 3-G-3,81 THT-R32


## Discontinued item

Order No.: 1945465

<http://eshop.phoenixcontact.de/phoenix/treeViewClick.do?UID=1945465>

Header, Nominal current: 8 A, Rated voltage (III/2): 160 V,  
Number of positions: 3, Pitch: 3.81 mm, Color: Black, Assembly:  
Taped SMD/THT/THR components, User information and design  
recommendations on through hole reflow technology can be found at:  
<http://www.combicon.com>

### Commercial data

GTIN (EAN)	 4 017918 858384
Note	Made-to-order
sales group	E171
Pack	470 pcs.
Customs tariff	85366990
Catalog page information	Page 162 (CC-2009)

### Product notes

WEEE/RoHS-compliant since:  
01/01/2003



<http://www.download.phoenixcontact.com>  
Please note that the data given here has been taken from the online catalog. For comprehensive information and data, please refer to the user documentation. The General Terms and Conditions of Use apply to Internet downloads.

### Certificates / Approvals

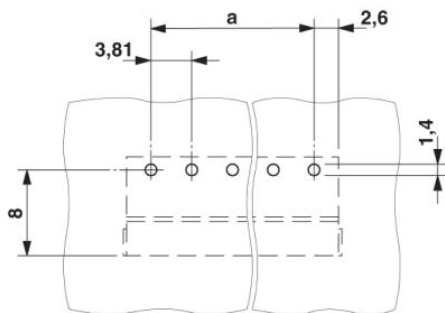


Certification

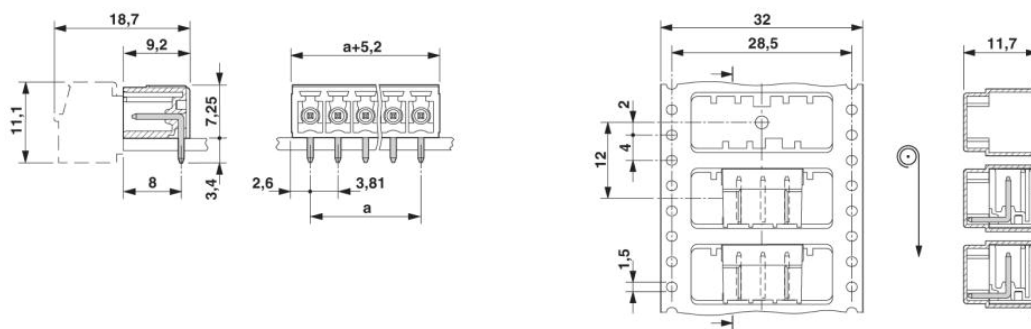
CB, CUL, UL, VDE-PZI

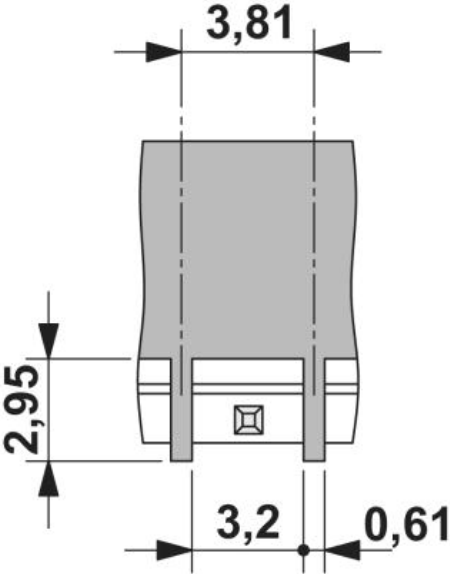
### Diagrams/Drawings

Drilling plan/solder pad geometry



Dimensioned drawing





**Address**

PHOENIX CONTACT Inc., USA  
586 Fulling Mill Road  
Middletown, PA 17057, USA  
Phone (800) 888-7388  
Fax (717) 944-1625  
<http://www.phoenixcon.com>



© 2011 Phoenix Contact  
Technical modifications reserved;