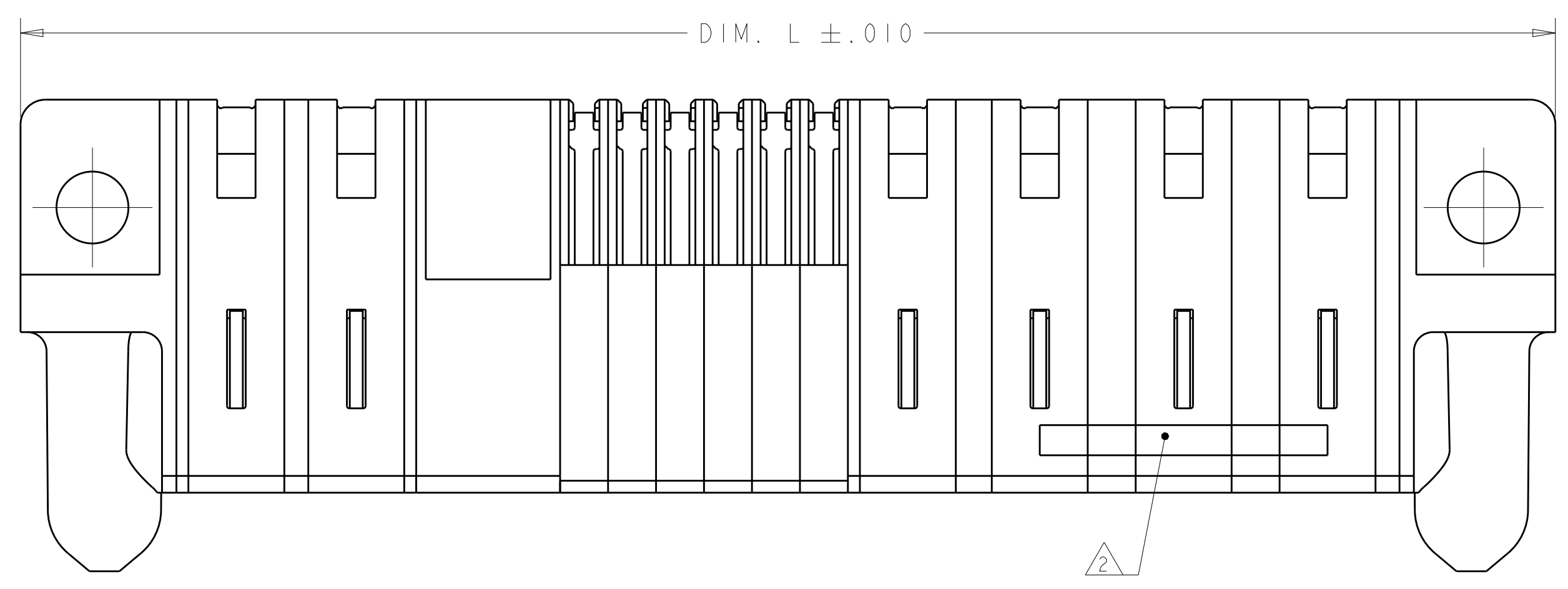
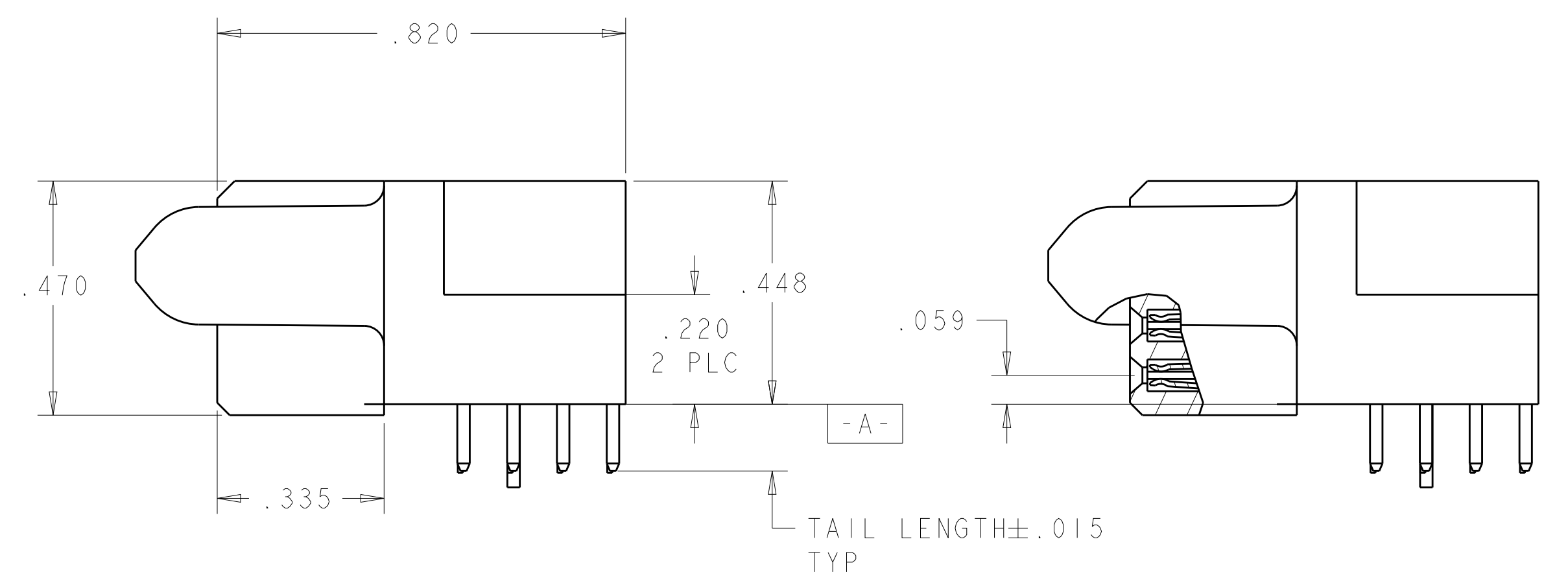
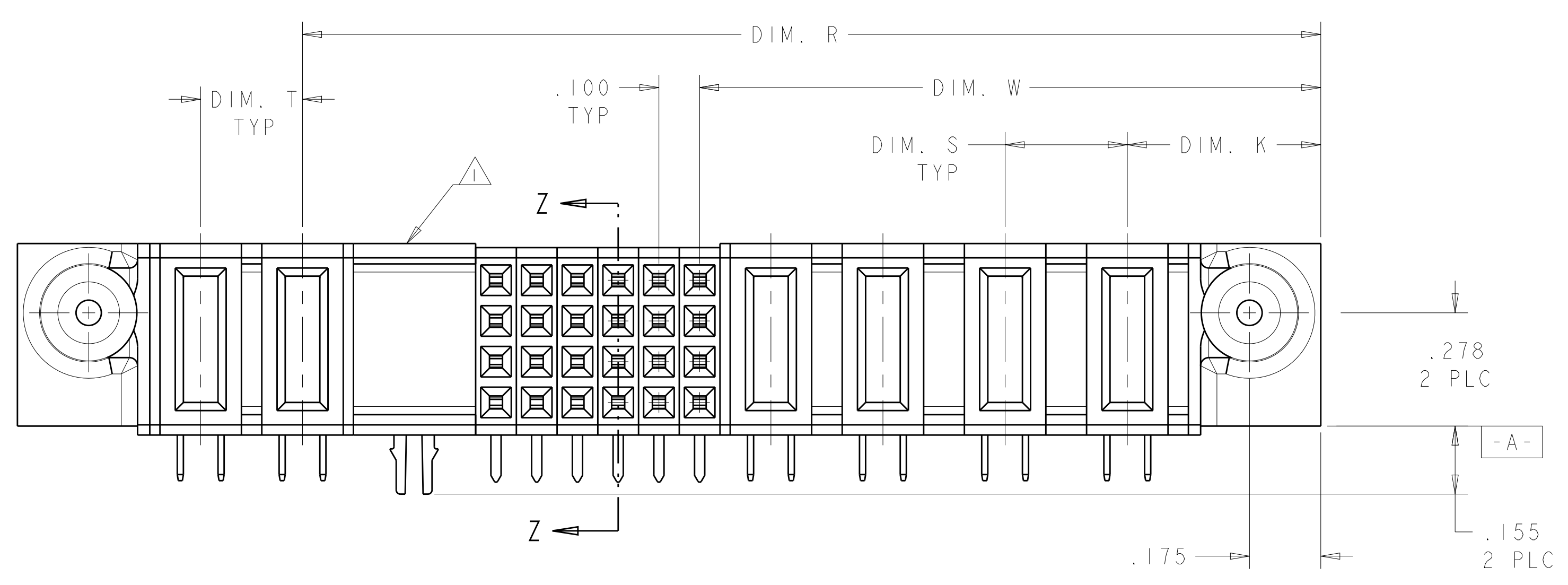


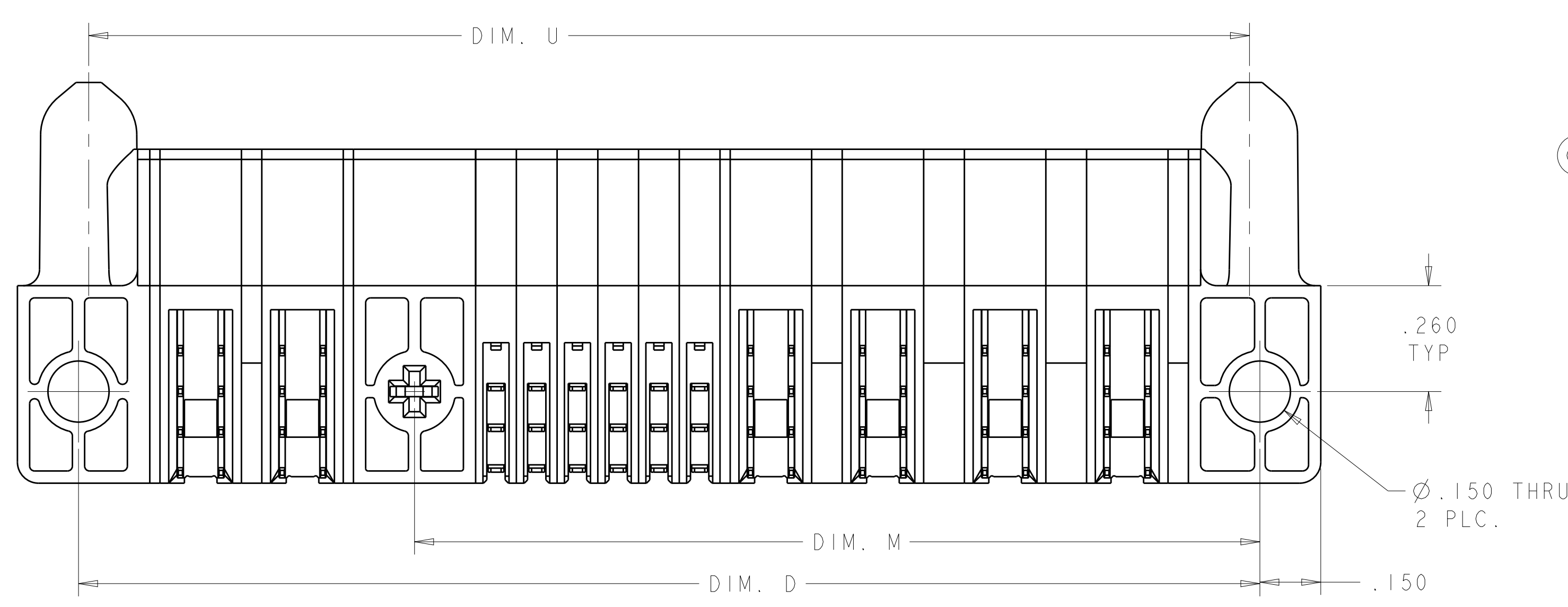
| LOC | | DIST | | REVISIONS | | | |
|-----|----|------|-----|---------------------------|-----------|-----|------|
| ES | 00 | P | LTM | DESCRIPTION | DATE | DWN | APVD |
| | | C4 | | REMOVE THE HOLD DOWN | 22DEC2011 | LW | SZ |
| | | C5 | | REV PER ECR-11-026038 | 29DEC2011 | LW | SZ |
| | | C7 | | ADDED NEW DASH NUMBER 1-4 | 26MAR2013 | CZ | SZ |



- 1 OPTIONAL CENTER MODULE, WITH .150 THRU HOLE OR HOLD DOWN FEATURE.
- 2 "AMP", PART NUMBER, AND DATE CODE TO BE MARKED IN AREA SHOWN. PARTS UNDER 2.00 LONG MAY BE MARKED ON BOTH SIDES.
- 3 MATERIAL: HOUSING - GLASS FILLED HIGH TEMP THERMO PLASTIC, UL94 V-O, BLACK.
SIGNAL CONTACT - COPPER ALLOY
POWER CONTACT - HIGH CONDUCTIVITY COPPER ALLOY
- 4 CONTACT PLATING: NOBLE METAL PLATED ON THE CONTACT FUNCTIONAL AREA OF POWER AND SIGNAL CONTACTS, AND Sn AT PCB INTERFACE.
- 5 MECHANICAL CONNECTOR KEEP OUT ZONE.
- 6 DATUM AND BASIC DIMENSIONS ESTABLISHED BY CUSTOMER.
- 7 PCB - ALL HOLE DIAMETERS ARE FINISHED HOLE SIZES
- 8 PCB - .0453±.0010 DRILLED HOLES PLATED WITH .0003 MIN Sn OVER .001 TO .003 Cu PLATING TO ACHIEVE A .040 DIA HOLE.



SECTION Z-Z



| DIM. U | DIM. T | DIM. S | DIM. R | DIM. W | DIM. D | DIM. M | DIM. L | DIM. K | DESCRIPTION | PART NUMBER |
|--------|--------|--------|--------|--------|--------|--------|--------|--------|-----------------|-------------|
| 4.125 | .300 | .250 | 2.775 | 1.900 | 4.175 | - | 4.475 | .475 | 5ACP + 32S + 6P | 1-6450370-4 |
| 1.600 | - | - | 1.500 | .625 | 1.650 | - | 1.950 | .450 | 1P + 32S + 1P | 1-6450370-3 |
| 7.350 | - | - | 5.225 | 3.925 | 7.400 | - | 7.700 | .475 | 12P + 48S + 8P | 1-6450370-2 |
| 2.400 | .200 | .200 | 2.100 | .825 | 2.450 | - | 2.750 | .450 | 2P + 48S + 2P | 1-6450370-1 |
| 1.300 | - | - | 1.200 | .675 | 1.350 | - | 1.650 | .450 | 1P + 24S + 1P | 1-6450370-0 |
| 2.800 | .300 | .250 | 2.075 | 1.375 | 2.850 | - | 3.150 | .450 | 4P + 24S + 3ACP | 6450370-9 |
| 2.800 | .250 | .300 | 1.950 | 1.275 | 2.850 | - | 3.150 | .475 | 3ACP + 24S + 4P | 6450370-5 |
| 3.150 | .250 | .250 | 2.300 | 1.625 | 3.200 | - | 3.500 | .450 | 5P+24S+4P | 6450370-4 |
| 1.575 | - | - | 1.425 | .700 | 1.625 | - | 1.925 | .475 | 1P+24S+1P | 6450370-3 |
| 2.500 | .300 | .250 | 1.800 | 1.125 | 2.550 | - | 2.850 | .450 | 3P+24S+3ACP | 6450370-2 |
| 2.550 | .250 | .300 | 2.200 | 1.525 | 2.600 | - | 2.900 | .475 | 3ACP+1P+24S+2P | 6450370-1 |

THIS DRAWING IS A CONTROLLED DOCUMENT.

DIMENSIONS: INCHES

TOLERANCES UNLESS OTHERWISE SPECIFIED:
 0 PLC ±.01
 1 PLC ±.01
 2 PLC ±.01
 3 PLC ±.005
 4 PLC ±.002
 ANGLES ±.020

MATERIAL: 3

FINISH: 4

THIS DRAWING IS A CONTROLLED DOCUMENT. DWN: R. GRZYBOWSKI, CHK: M. PERCHERKE, APVD: M. PERCHERKE, NAME: M. PERCHERKE, PRODUCT SPEC: 108-1973, APPLICATION SPEC: 114-13038, WEIGHT: 114-13038, CUSTOMER DRAWING

OBAPROS 08APROS

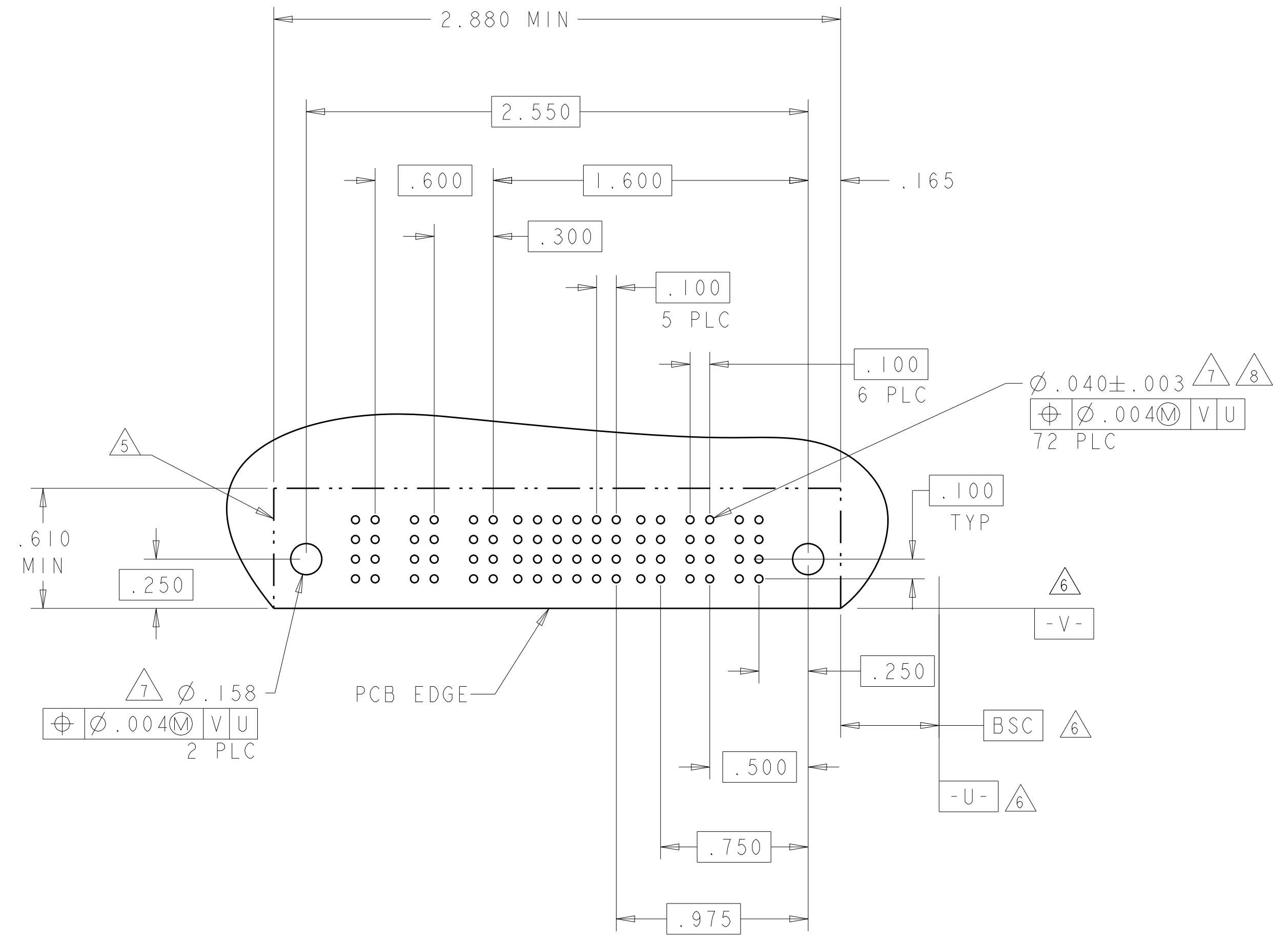
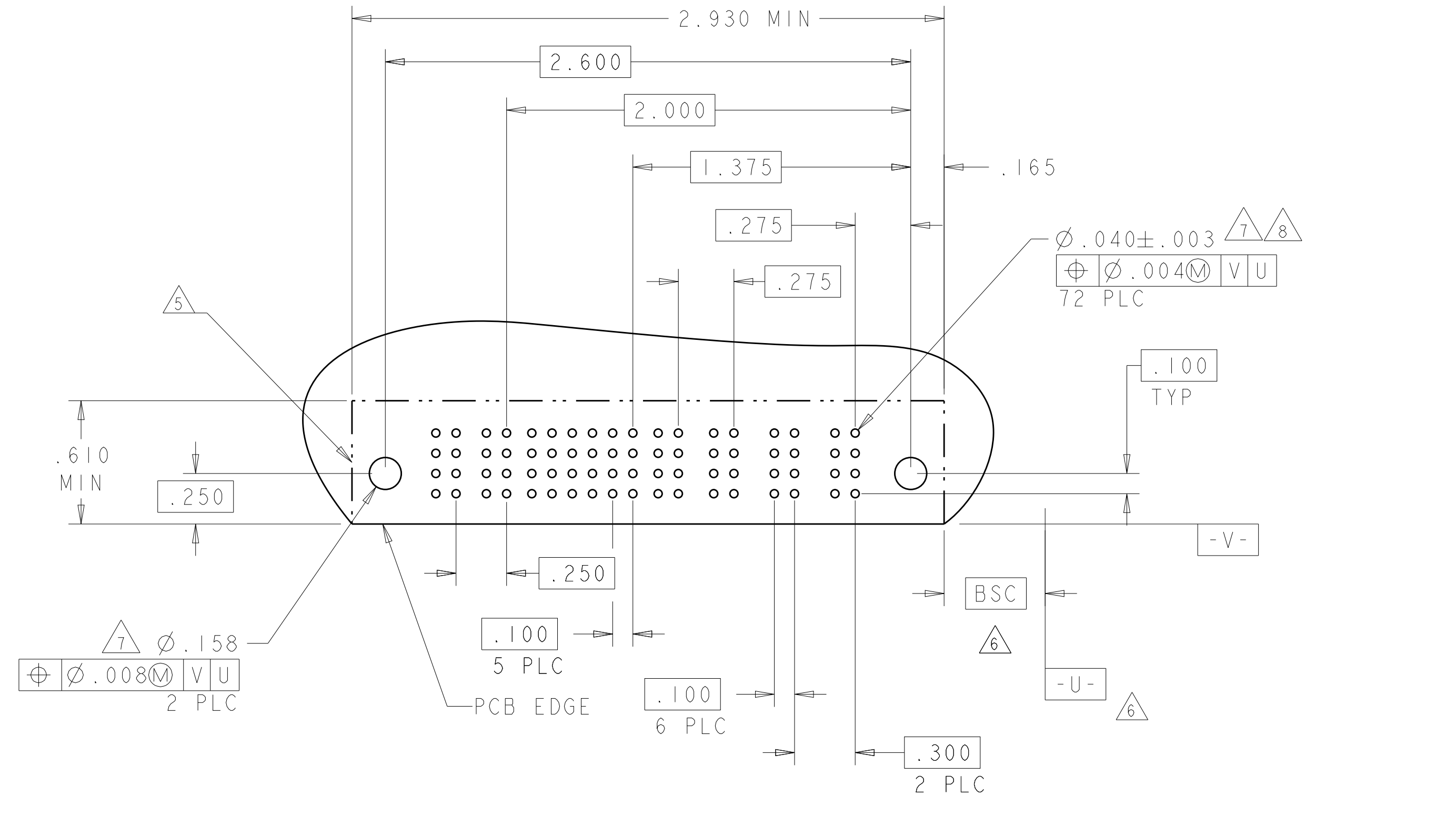
TE Connectivity

RIGHT ANGLE RECEPTACLE ASSEMBLY WITH GUIDES MULTI-BEAM XL

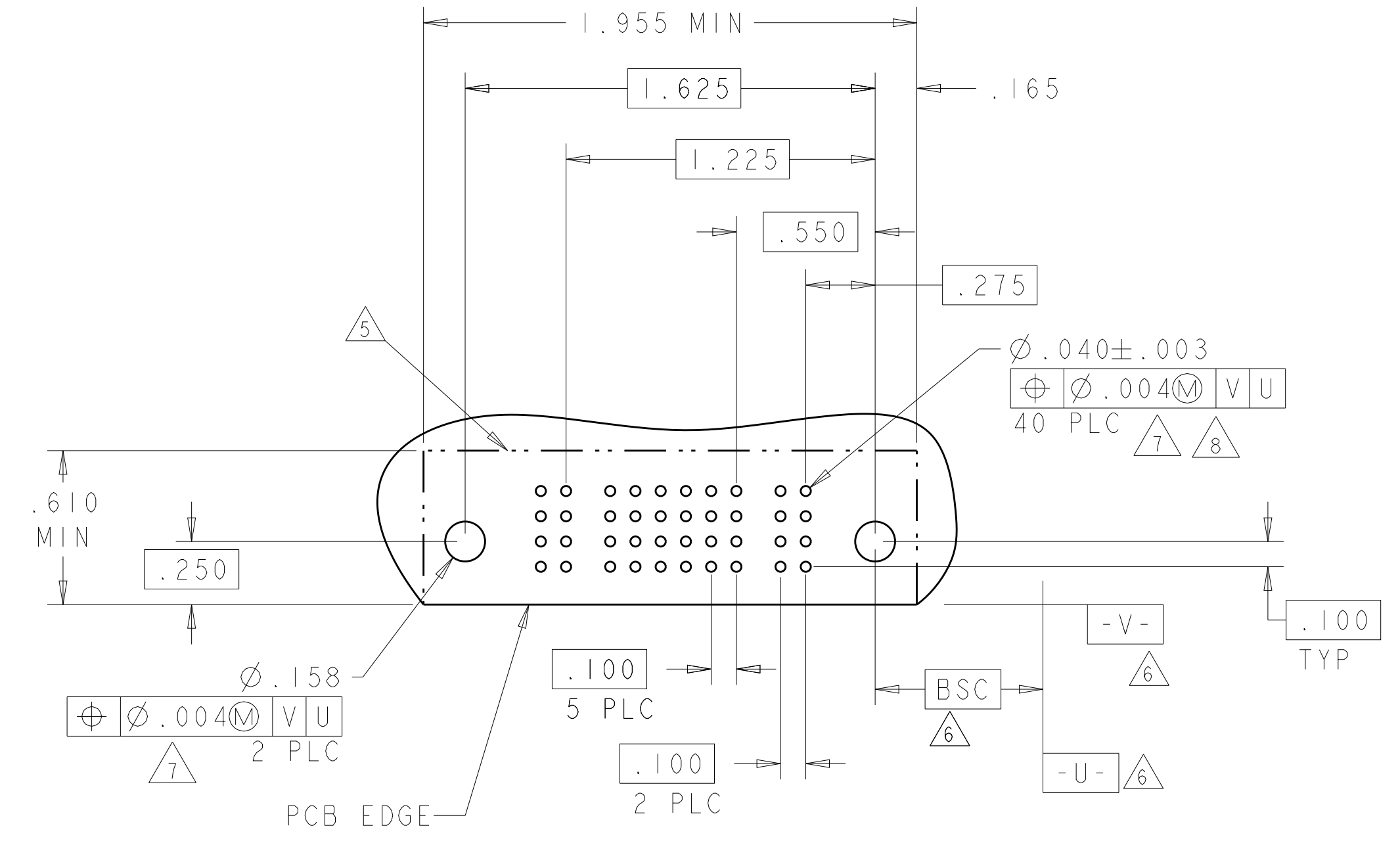
SIZE: A100779, CAGE CODE: 6450370, SCALE: 4:1, SHEET: 1 OF 6, REV: C7

| PART NUMBER | ROWS | POWER | | SIGNAL | | | | | | | POWER | | | | |
|----------------------|------|-------|----|--------|---|---|---|---|---|----|-------|----|----|----|----|
| | | P6 | P5 | 6 | 5 | 4 | 3 | 2 | 1 | P4 | P3 | P2 | P1 | | |
| 6450370-1 | DCBA | RM | RM | H | H | H | H | H | H | H | H | RM | RA | RM | RM |
| | | | | G | G | G | G | G | G | G | | | | | |
| | | | | F | F | F | F | F | F | F | | | | | |
| 3ACP + 1P + 24S + 2P | | | | | | | | | | | | | | | |

| PART NUMBER | ROWS | POWER | | | SIGNAL | | | | | | | POWER | | | |
|-----------------|------|-------|----|----|--------|---|---|---|---|---|----|-------|----|----|----|
| | | P6 | P5 | P4 | 6 | 5 | 4 | 3 | 2 | 1 | P3 | P2 | P1 | | |
| 6450370-2 | DCBA | RM | RM | RM | H | H | H | H | H | H | H | H | RM | RM | RA |
| | | | | | G | G | G | G | G | G | G | | | | |
| | | | | | F | F | F | F | F | F | F | | | | |
| 3P + 24S + 3ACP | | | | | | | | | | | | | | | |



| PART NUMBER | ROWS | POWER | | SIGNAL | | | | | | | POWER | |
|---------------|------|-------|----|--------|---|---|---|---|----|----|-------|----|
| | | P2 | 6 | 5 | 4 | 3 | 2 | 1 | P1 | P1 | | |
| 6450370-3 | DCBA | RM | RA | H | H | H | H | H | H | H | H | RA |
| | | | | G | G | G | G | G | G | G | | |
| | | | | F | F | F | F | F | F | F | | |
| IP + 24S + IP | | | | | | | | | | | | |



| RB | .090 | MFBL |
|----------------|-------------|-------------|
| RN | .090 | STD |
| RA | .135 | MFBL |
| RM | .135 | STD |
| CODE | TAIL LENGTH | DESCRIPTION |
| POWER CONTACT | | |
| CODE | TAIL LENGTH | ROW |
| SIGNAL CONTACT | | |

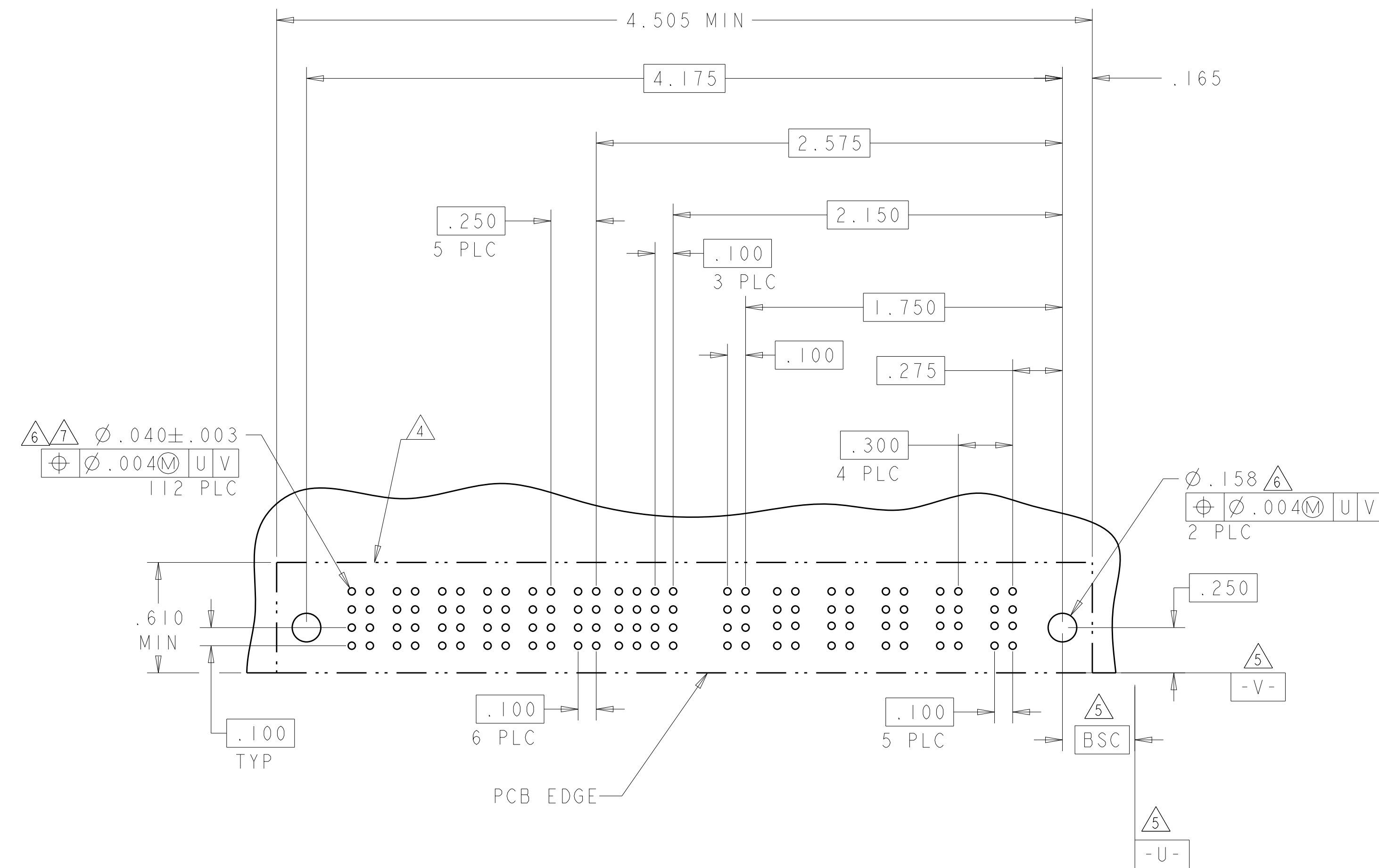
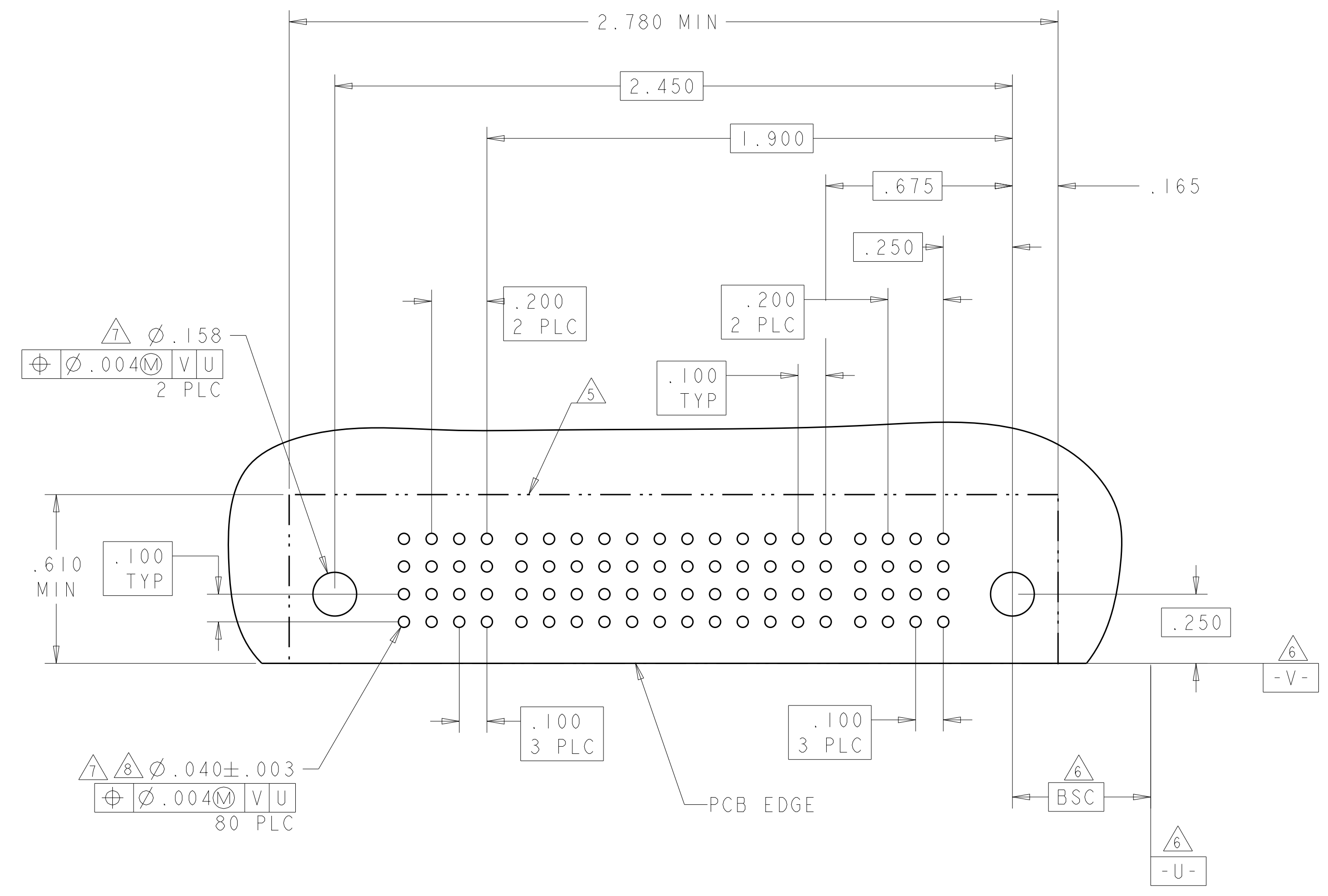
THIS DRAWING IS A CONTROLLED DOCUMENT. DWN: R. GRZYBOWSKI, CHK: M. PERCHERKE, APVD: M. PERCHERKE. NAME: RIGHT ANGLE RECEPTACLE ASSEMBLY WITH GUIDES MULTI-BEAM XL. DIMENSIONS: INCHES. TOLERANCES UNLESS OTHERWISE SPECIFIED: 0 PLC ±.01, 1 PLC ±.01, 2 PLC ±.01, 3 PLC ±.01, 4 PLC ±.0020, ANGLES ±.0020. MATERIAL: . FINISH: . WEIGHT: . CUSTOMER DRAWING. SCALE: 4:1. SHEET 2 OF 6. REV: C7.

| PART NUMBER | ROWS | POWER | | SIGNAL | | | | | | | | | | | POWER | | | |
|---------------|------|-------|----|--------|----|----|---|---|---|---|---|---|---|---|-------|----|----|----|
| | | P4 | P3 | 12 | 11 | 10 | 9 | 8 | 7 | 6 | 5 | 4 | 3 | 2 | 1 | P2 | P1 | |
| 1-6450370-1 | D | RM | RA | H | H | H | H | H | H | H | H | H | H | H | H | H | RA | RM |
| | C | | | G | G | G | G | G | G | G | G | G | G | G | G | | | |
| | B | | | F | F | F | F | F | F | F | F | F | F | F | F | | | |
| | A | | | E | E | E | E | E | E | E | E | E | E | E | E | | | |
| 2P + 48S + 2P | | | | | | | | | | | | | | | | | | |

| PART NUMBER | ROWS | POWER | | | | | | SIGNAL | | | | | | POWER | | | | | | | | |
|-----------------|------------------|-------|-----|----|----|----|----|--------|---|---|---|---|---|-------|----|----|----|----|----|----|---|---|
| | | P11 | P10 | P9 | P8 | P7 | P6 | 8 | 7 | 6 | 5 | 4 | 3 | 2 | 1 | P5 | P4 | P3 | P2 | P1 | | |
| 1-6450370-4 | D C B A | RM | RM | RM | RM | RM | RM | H | H | H | H | H | H | H | RM | RM | RM | RA | RM | RM | | |
| | | | | | | | | G | G | G | G | G | G | G | | | | | | | G | G |
| | | | | | | | | F | F | F | F | F | F | F | | | | | | | F | F |
| 5ACP + 32S + 6P | | | | | | | | | | | | | | | | | | | | | | |

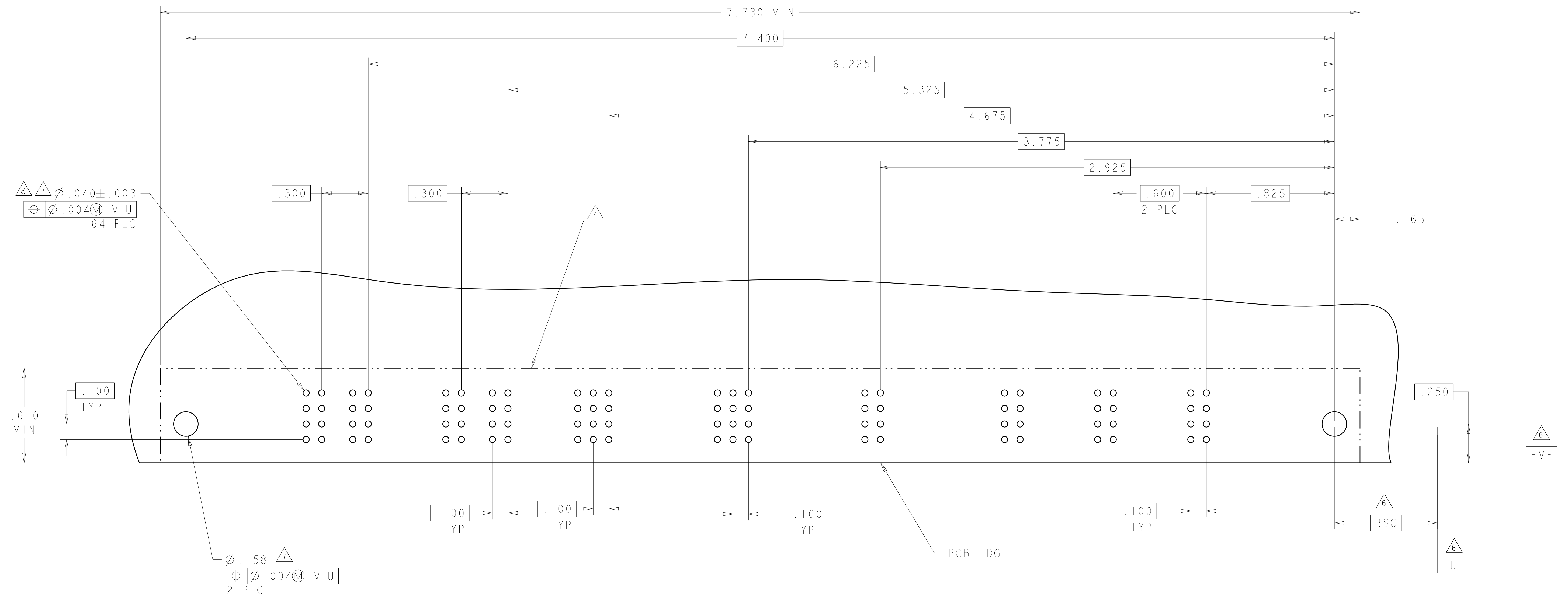
NO CONTACTS LOADED

C7



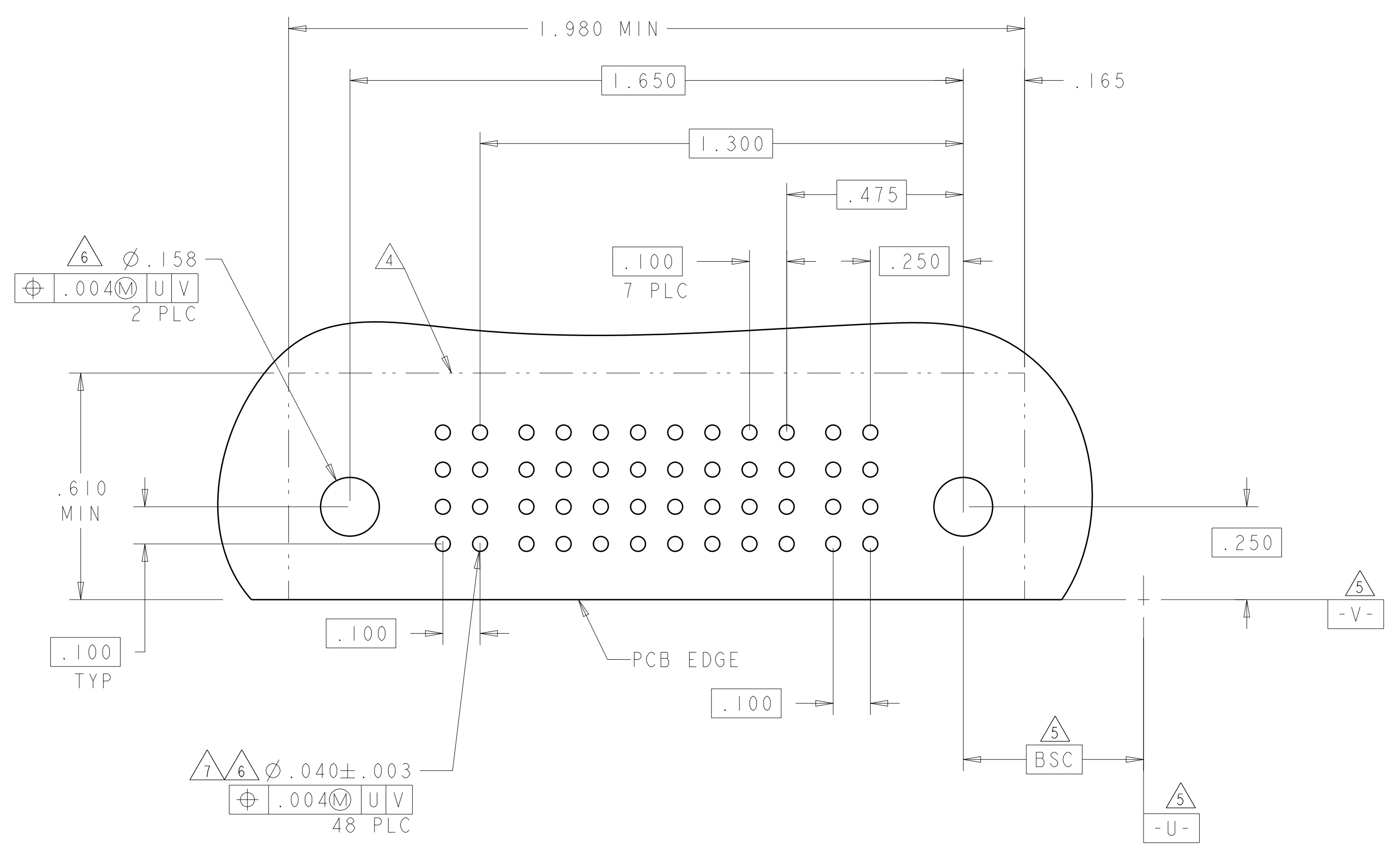
| | | | |
|--|--|-----------------------------|---|
| THIS DRAWING IS A CONTROLLED DOCUMENT. | | OWN: R. GRZYBOWSKI 08APROS | TE Connectivity |
| DIMENSIONS: INCHES | | CHK: M. PERCHERKE 08APROS | |
| TOLERANCES UNLESS OTHERWISE SPECIFIED: | | APVD: M. PERCHERKE | NAME: RIGHT ANGLE RECEPTACLE ASSEMBLY WITH GUIDES MULTI-BEAM XL |
| 0 PLC ± .01 | | PRODUCT SPEC: 108-1973 | SIZE: CAGE CODE DRAWING NO: A100779C=6450370 |
| 1 PLC ± .01 | | APPLICATION SPEC: 114-13038 | RESTRICTED TO: - |
| 2 PLC ± .01 | | WEIGHT: - | SCALE: 4:1 SHEET 4 OF 6 REV: C7 |
| 3 PLC ± .005 | | CUSTOMER DRAWING | |
| 4 PLC ± .002 | | | |
| ANGLES ± .020 | | | |
| FINISH: - | | | |

| PART NUMBER | ROWS | POWER | | | | | | | | SIGNAL | | | | | | | | | | | POWER | | | | | | | | | | | | |
|----------------|------------------|-------|-----|-----|-----|-----|-----|-----|-----|--------|----|----|---|---|---|---|---|---|---|---|-------|-----|-----|-----|----|----|----|----|----|----|----|----|----|
| | | P20 | P19 | P18 | P17 | P16 | P15 | P14 | P13 | 12 | 11 | 10 | 9 | 8 | 7 | 6 | 5 | 4 | 3 | 2 | 1 | P12 | P11 | P10 | P9 | P8 | P7 | P6 | P5 | P4 | P3 | P2 | P1 |
| I-6450370-2 | D C B A | | | | | | | | | H | H | H | | | | | | | | | | | | | | | | | | | | | |
| | | | | RM | RM | | RM | RM | | G | G | G | | | | | | | | | | | | | RA | | | | RM | | RM | | RM |
| | | | | | | | | | | F | F | F | | | | | | | | | | | | | | | | | | | | | |
| | | | | | | | | | | E | E | E | | | | | | | | | | | | | | | | | | | | | |
| 12P + 48S + 8P | | | | | | | | | | | | | | | | | | | | | | | | | | | | | | | | | |



| | | | | |
|--|--|----------------------|---------|---|
| THIS DRAWING IS A CONTROLLED DOCUMENT. | | DWN R. GRZYBOWSKI | 08APR05 | STE TE Connectivity |
| DIMENSIONS: INCHES | | CHK M. PERCHERKE | 08APR05 | |
| TOLERANCES UNLESS OTHERWISE SPECIFIED: | | APVD M. PERCHERKE | | NAME RIGHT ANGLE RECEPTACLE ASSEMBLY WITH GUIDES MULTI-BEAM XL |
| 0 PLC ± | | PRODUCT SPEC | | |
| 1 PLC ±.01 | | 108-1973 | | |
| 2 PLC ±.005 | | APPLICATION SPEC | | |
| 3 PLC ±.0020 | | 114-13038 | | SIZE CAGE CODE DRAWING NO |
| 4 PLC ±.0020 | | WEIGHT | | A100779C=6450370 |
| ANGLES ±.7° | | FINISH | | RESTRICTED TO |
| MATERIAL | | CUSTOMER DRAWING | | SCALE 4:1 SHEET 5 OF 6 REV C7 |

| PART NUMBER | ROWS | POWER | | SIGNAL | | | | | | | | POWER | |
|---------------|------------------|-------|---|--------|---|---|---|---|---|---|----|-------|--|
| | | P2 | 8 | 7 | 6 | 5 | 4 | 3 | 2 | 1 | PI | | |
| I-6450370-3 | D C B A | RA | H | H | H | H | H | H | H | H | H | RM | |
| | | | G | G | G | G | G | G | G | G | | | |
| | | | F | F | F | F | F | F | F | F | | | |
| | | | E | E | E | E | E | E | E | E | | | |
| IP + 32S + IP | | (C5) | | | | | | | | | | | |



| | | | |
|--|--|-----------------------------|---|
| THIS DRAWING IS A CONTROLLED DOCUMENT. | | DWN: R. GRZYBOWSKI 08APR05 | TE Connectivity |
| DIMENSIONS: INCHES | | CHK: M. PERCHERKE 08APR05 | |
| | | APVD: M. PERCHERKE | NAME: RIGHT ANGLE RECEPTACLE ASSEMBLY WITH GUIDES MULTI-BEAM XL |
| TOLERANCES UNLESS OTHERWISE SPECIFIED: | | PRODUCT SPEC: 108-1973 | SIZE: A100779C=6450370 |
| 0 PLC ±.01 | | APPLICATION SPEC: 114-13038 | RESTRICTED TO: - |
| 1 PLC ±.01 | | WEIGHT: - | SCALE: 4:1 |
| 2 PLC ±.005 | | CUSTOMER DRAWING | SHEET 6 OF 6 |
| 3 PLC ±.0020 | | | REV: C7 |
| 4 PLC ±.0020 | | | |
| ANGLES: ±.2° | | | |
| FINISH: - | | | |

Mouser Electronics

Authorized Distributor

Click to View Pricing, Inventory, Delivery & Lifecycle Information:

[TE Connectivity:](#)

[1-6450370-1](#)