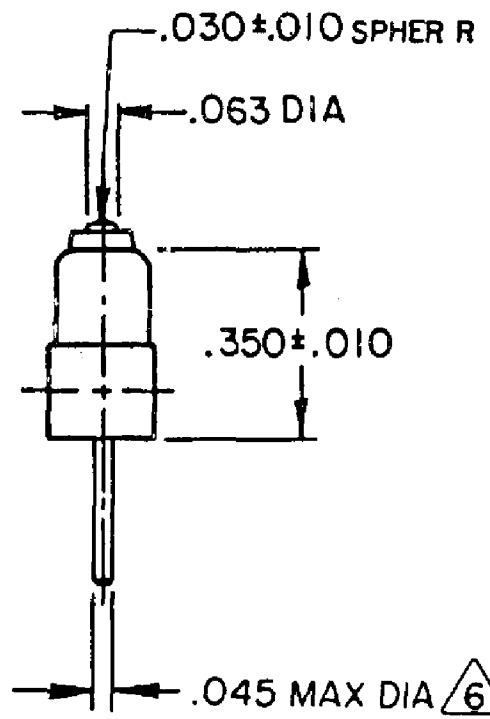
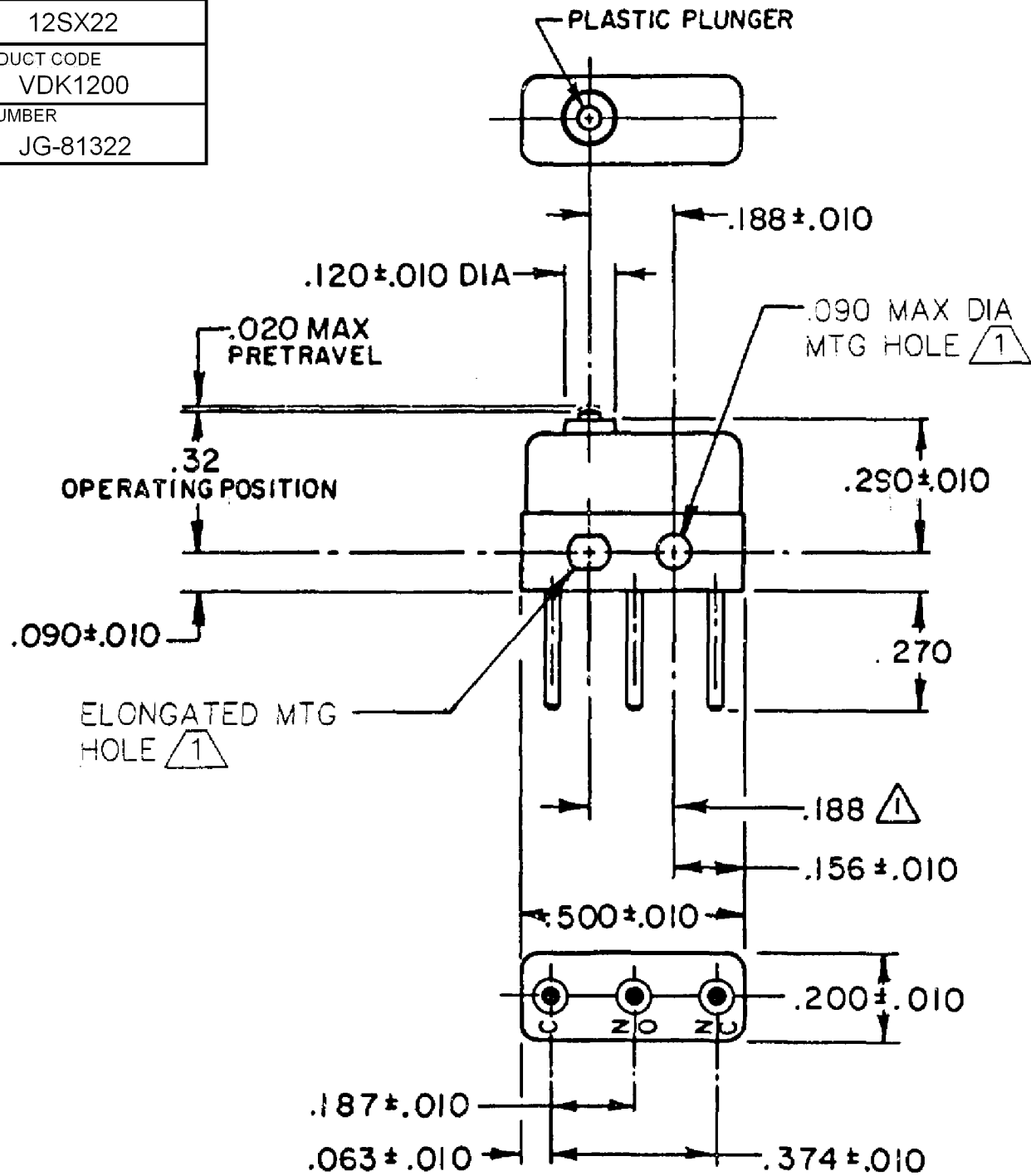


HONEYWELL PART NUMBER
12SX22
PRODUCT CODE VDK1200
JG-NUMBER JG-81322

REV	DOCUMENT	CHANGED BY	CHECK
7	0038449	VS 28APR08	BLR



- NOTES
- ① MOUNTING HOLES WILL ACCEPT PINS OR SCREWS OF .087 MAX DIA ON .188 ± .002 CENTERS
 - 2 - SWITCH WILL WITHSTAND TEMPERATURE OF 250°F
 - 3 - MOVABLE CONTACT MATERIAL - 24K SOLID GOLD
 - 4 - STATIONARY CONTACT MATERIAL - GOLD ALLOY
 - 5 - TERMINALS ARE SOLDER DIPPED WITH RoHS-COMPLIANT TIN/COPPER/SILVER SOLDER
 - ⑥ .035^{+0.002}_{-.001} DIA PRIOR TO SOLDER COATING

RELEASE NO.	PR-14211
REPLACES	X82907-SX

CHARACTERISTICS	
OPERATING FORCE	5 OZ MAX
RELEASE FORCE	1 OZ MIN
DIFFERENTIAL TRAVEL	.003 MAX
OVERTRAVEL	.004 MIN

ELECTRICAL DATA		
CONTACT ARRANGEMENT SPDT		
30 VOLTS DC RATING		
	SEA LEVEL	50,000 FT
INDUCTIVE	0.5 AMP	0.5 AMP
RESISTIVE	1 AMP	1 AMP
MAXIMUM INRUSH 2 AMP		
APPROVALS	KEMA, CE	1A 250 V - T125 25E3
	UL, CSA	1A 125 VAC

DESIGN UNITS: INCH
TOLERANCES UNLESS NOTED:
NO PLACE X ±
ONE PLACE .X ±
TWO PLACE .XX ±
THREE PLACE .XXX ±
FOUR PLACE .XXXX ±
ANGLES ±
THIRD ANGLE PROJECTION

DRAWN	SPK	14FEB08
CHECK	RJ	14FEB08
THIS DRAWING COVERS A PROPRIETARY ITEM AND IS THE PROPERTY OF HONEYWELL. THIS DRAWING IS NOT TO BE COPIED OR USED WITHOUT THE PERMISSION OF HONEYWELL.		
INTERPRET PER ANSI Y14.5M-1982 OTHER HONEYWELL ENGINEERING STANDARDS MAY APPLY		
RASTER		

Honeywell			
TITLE SWITCH - BASIC			
SIZE	TYPE	DRAWING NAME	REV
B	I	12SX22	7
SCALE	-	WEIGHT: .003 LB MAX	SHEET 1 OF 1

Mouser Electronics

Authorized Distributor

Click to View Pricing, Inventory, Delivery & Lifecycle Information:

[Honeywell:](#)

[12SX22](#)