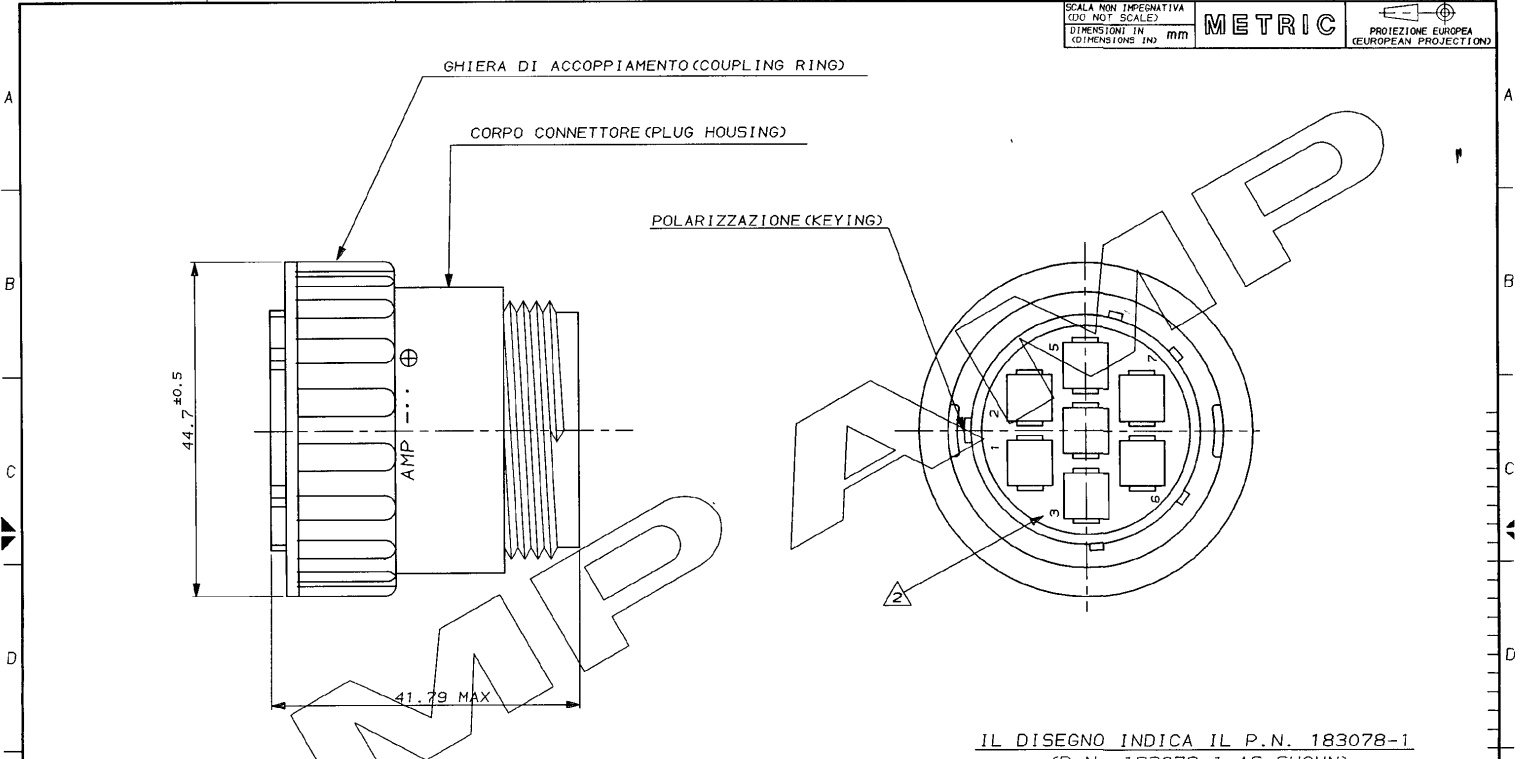


1 2 3 4 5 6 7 8

SCALA NON IMPEGNATIVA  
(DIM. NOT SCALE)  
DIMENSIONI IN  
DIMENSIONS IN (MM)

**METRIC**

PROTEZIONE EUROPEA  
(EUROPEAN PROJECTION)



IL DISEGNO INDICA IL P.N. 183078-1  
(P.N. 183078-1 AS SHOWN)

1. MATERIALE CORPO CONNETTORE:  
PA 6-6 CARICATO VETRO  
UL RECOGNIZED, COLORE NERO.

1. MATERIAL PLUG HOUSING:  
PA 6-6 G.F. FILLED  
UL RECOGNIZED, BLACK COLOUR.

2. OGNI CAVITA' E' IDENTIFICATA DAL  
NUMERO POSTO SIA SUL FRONTE CHE  
SUL RETRO DEL CONNETTORE.

2. CONTACT CAVITIES IDENTIFICATION  
IS DEFINED BY NUMERICAL  
CHARACTERS PLACED ON BOTH FRONT  
AND REAR OF CONNECTOR

CUSTOMER DRAWING FOR REFERENCE ONLY		DISEGNO PER CLIENTE SOLO PER RIFERIMENTO	
THIS DRAWING IS UNPUBLISHED		RELEASE FOR PUBLICATION	
© COPYRIGHT IS BY AMP INCORPORATED, HARTFORD, PA. ALL INTERNATIONAL RIGHT RESERVED. AMP PRODUCTS MAY BE COVERED BY U.S. AND FOREIGN PATENT AND/OR PATENT PENDING		1991	
TOLERANZE, SE NON DIVERSAMENTE SPECIFICATO	DIAM. ISOLANTE (INS. DIA. RANGE)	RANGO FILI (WIRE RANGE)	SCALA (SCALE)
TOLERANCES, UNLESS OTHERWISE SPECIFIED	-	-	-
ANGOLI (ANGLED)	± 0.3	<b>AMP</b> AMP ITALIA S.p.A. CORPO F.LLI CANTORE, 15 COLLENO (TORINO)	
DIS. (DR.)	22 MAR. '84	DESCRIZIONE (DESCRIPTION)	
C.P.I.A.	R. CANTORE	C.P.C. PLUG ASS'Y SIZE 23-7 REV. SEX SERIES 3	
REV.	RELEASED FOR PROD. ET00-155-85	LOC. SIZE	NUMERO (COUN. NO.)
REVISIONI (REVISION RECORD)	C.P. S. S.	I A3 C-	183078
DIS. DATA (DR. DATE)	APP. DATA (APP. DATE)	REV.	FOLIO (SHEET)
		A	1 OF 1