

# CCA 2,5/10-GL-5,08P26THRR88

Order No.: 1959215

The illustration shows a 6-position version



<http://eshop.phoenixcontact.de/phoenix/treeViewClick.do?UID=1959215>

Header, Nominal current: 12 A, Rated voltage (III/2): 320 V, Pitch: 5 mm, Color: black, Metal surface: Sn, Assembly: SMD/THT/THR, Assembly: SMD/THT/THR, Two-in-one – Pin strips must always be made up of a left (L) and a right (R) segment. Please allow for the corresponding counterpart from the accessories to complete the THR pin strip.

Commercial data	
EAN	4017918934545
Note	Made-to-order
sales group	E172
Pack	240 pcs.
Customs tariff	85366990
Weight/Piece	0.005 KG
Catalog page information	Page 160 (CC-2005)

#### Product notes

WEEE/RoHS-compliant since:  
01/01/2003



<http://www.download.phoenixcontact.com>  
Please note that the data given here has been taken from the online catalog. For comprehensive information and data, please refer to the user documentation. The General Terms and Conditions of Use apply to Internet downloads.

#### Certificates / Approvals



Certification

CUL, UL

### CUL

Nominal voltage $U_N$	300 V
Nominal current $I_N$	10 A

### UL

Nominal voltage $U_N$	300 V
Nominal current $I_N$	10 A

### Accessories

Item	Designation	Description
------	-------------	-------------

#### General

1954362	CR-MSTB NAT HT	HT keying section, prior to the reflow soldering process it is inserted into the recess on the header, made from high-temperature-resistant beige insulation material
---------	----------------	---

#### Marking

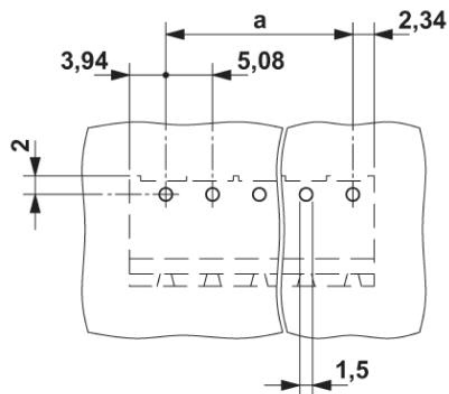
1051993	B-STIFT	Marker pen, for manual labeling of unprinted Zack strips, smear-proof and waterproof, line thickness 0.5 mm
0804293	SK 5,08/3,8:FORTL.ZAHLEN	Marker card, printed horizontally, self-adhesive, 12 identical decades marked 1-10, 11-20 etc. up to 91-(99)100, sufficient for 120 terminal blocks
0805085	SK 5,08/3,8:SO	Marker card, special printing, self-adhesive, labeled acc. to customer requirements, 12 identical marker strips per card, max. 25-position labeling per strip, color: white
0805412	SK 5,08/3,8:UNBEDRUCKT	Marker cards, unprinted, with pitch divisions, self-adhesive, 10-section marker strips, 12 strips per card, can be labeled with the M-PEN

#### Plug/Adapter

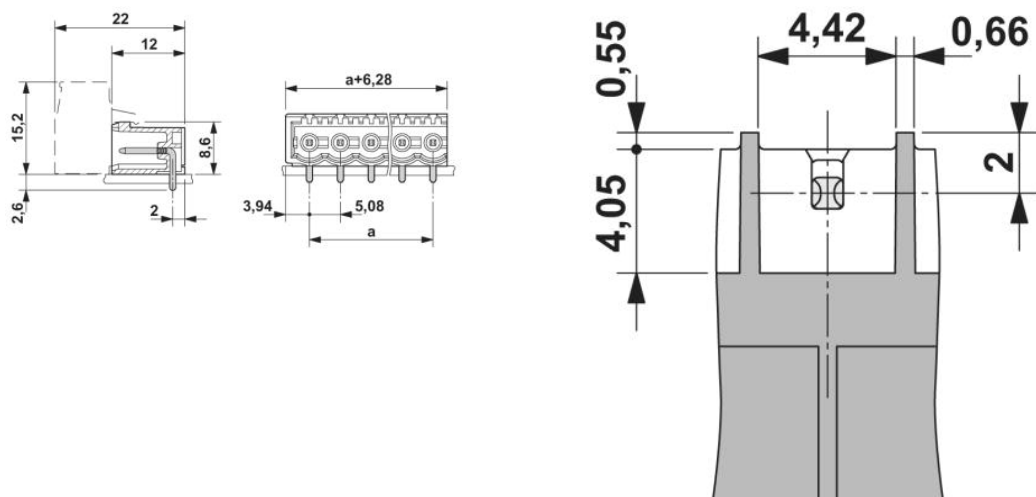
1734401	CR-MSTB	Coding section, inserted into the recess in the header or the inverted plug, red insulating material
---------	---------	--

### Diagrams/Drawings

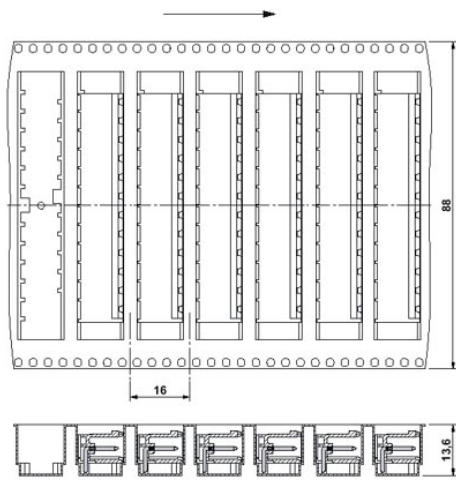
Drilling plan/solder pad geometry



Dimensioned drawing



Bottom view, free space for solder paste,  
0.5 mm deep



Direction of the arrow = feeding direction

**Address**

PHOENIX CONTACT Inc., USA  
586 Fulling Mill Road  
Middletown, PA 17057, USA  
Phone (800) 888-7388  
Fax (717) 944-1625  
<http://www.phoenixcon.com>



© 2010 Phoenix Contact  
Technical modifications reserved;