

Base strip - PC 6-16/ 6-G-10,16 - 1913688

Please be informed that the data shown in this PDF Document is generated from our Online Catalog. Please find the complete data in the user's documentation. Our General Terms of Use for Downloads are valid (<http://phoenixcontact.com/download>)



Header, Nominal current: 41 A, Rated voltage (III/2): 1000 V, Number of positions: 6, Pitch: 10.16 mm, Color: green, Contact surface: Silver, Mounting: Soldering, The nominal current of 76 A applies in connection with connectors from the PC 16 family. 41 A are reached in connection with PC 6 connectors (50 A in accordance with UL).

The illustration shows an 8-position version



Key commercial data

Packing unit	50 pc
Minimum order quantity	50 pc
GTIN	 4 017918 179168
Weight per Piece (excluding packing)	23.54 g
Custom tariff number	85366990
Country of origin	Poland

Technical data

Dimensions

Length	32 mm
Height	13.7 mm
Pitch	10.16 mm
Dimension a	50.8 mm

General

Range of articles	PC 6-16/..-G
Rated surge voltage (III/3)	6 kV
Rated surge voltage (III/2)	8 kV
Rated surge voltage (II/2)	8 kV
Rated voltage (III/2)	1000 V
Rated voltage (II/2)	1000 V
Connection in acc. with standard	EN-VDE
Nominal current I_N	41 A
Color	green

Base strip - PC 6-16/ 6-G-10,16 - 1913688

Technical data

General

Number of positions	6
---------------------	---

Classifications

eCl@ss

eCl@ss 4.0	272607xx
eCl@ss 4.1	27260701
eCl@ss 5.0	27260701
eCl@ss 5.1	27260701
eCl@ss 6.0	27260704
eCl@ss 7.0	27440402
eCl@ss 8.0	27440402

ETIM

ETIM 3.0	EC001121
ETIM 4.0	EC002637
ETIM 5.0	EC002637

UNSPSC

UNSPSC 6.01	30211810
UNSPSC 7.0901	39121409
UNSPSC 11	39121409
UNSPSC 12.01	39121409
UNSPSC 13.2	39121409

Approvals

Approvals

Approvals

UL Recognized / SEV / cUL Recognized / CCA / EAC / IECCEB Scheme / cULus Recognized


Ex Approvals

Approvals submitted


Approval details

Base strip - PC 6-16/ 6-G-10,16 - 1913688

Approvals


UL Recognized 			
	B	C	D
Nominal current IN	66 A	66 A	5 A
Nominal voltage UN	300 V	300 V	600 V


SEV	
Nominal current IN	76 A
Nominal voltage UN	1000 V

cUL Recognized 			
	B	C	D
Nominal current IN	66 A	66 A	5 A
Nominal voltage UN	300 V	300 V	600 V

CCA	
Nominal current IN	76 A
Nominal voltage UN	1000 V

EAC

IECEE CB Scheme 	
Nominal current IN	76 A
Nominal voltage UN	1000 V

cULus Recognized 	
--	--

Accessories

Accessories

Coding element

Base strip - PC 6-16/ 6-G-10,16 - 1913688

Accessories

Coding profile - CP-HCC 4 - 1600027



Coding profile, Number of positions: 1, Color: red

Additional products

Printed-circuit board connector - PC 6/ 6-ST-10,16 - 1913549

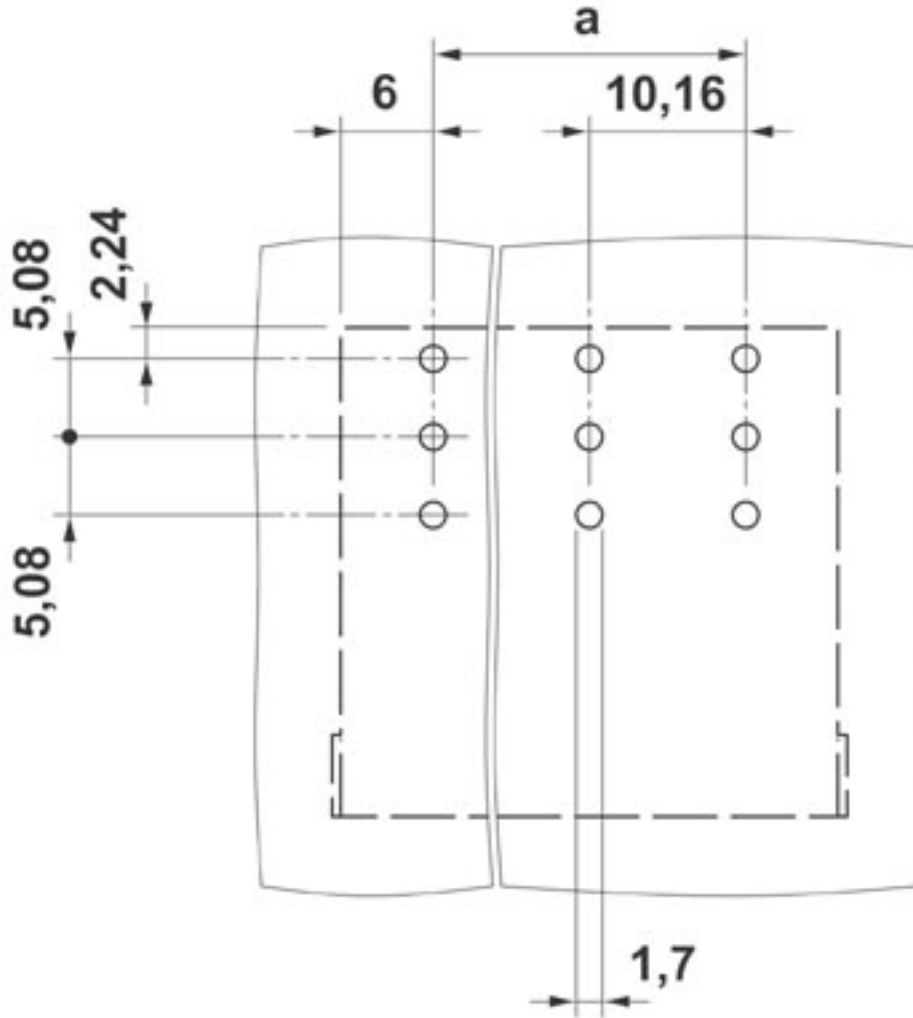


Plug component, Nominal current: 41 A, Rated voltage (III/2): 1000 V, Number of positions: 6, Pitch: 10.16 mm, Connection method: Screw connection, Color: green, Contact surface: Silver

Drawings

Base strip - PC 6-16/ 6-G-10,16 - 1913688

Drilling diagram



Base strip - PC 6-16/ 6-G-10,16 - 1913688

Dimensioned drawing

