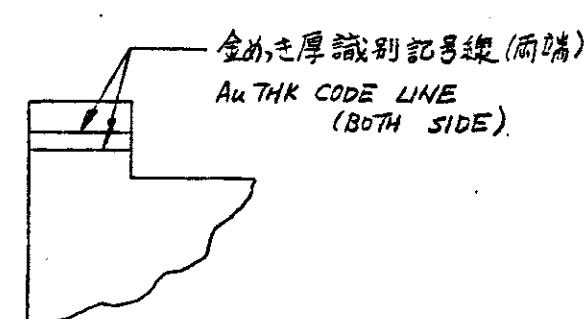
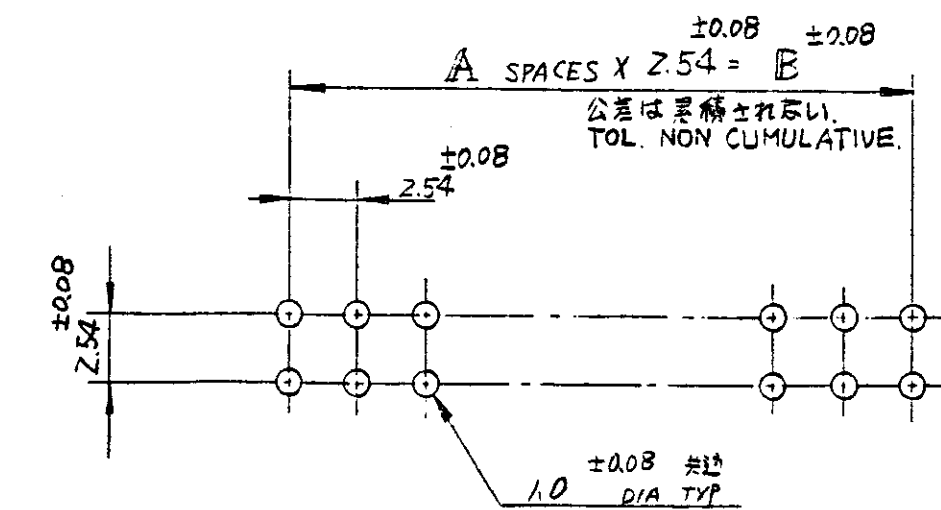


断面 X-X
SECTION X-X



矢視 Z
VIEW Z



プリント基板推奨穴位置
RECOMMENDED HOLE LAYOUT

- NOTES:
- △ FINISH: T THK GOLD PLATED IN AREA "A" AND 0.0010 MIN TIN LEAD PLATED IN AREA "B" ON 0.0013 MIN ALL OVER THE NICKEL.
 2. PRODUCT SPEC: 108-25017
 3. MATE WITH: □-173281-□, 102584-□, 102585-□, 102667-□
 - △ OBSOLETE PARTS: OBSOLETE CIS STREAMLINING PER D.RENAUD/D.SINISI

- 注記:
- △ ホストの仕様; 接触部(エリアA)金めきT厚, Ni下地めき0.0013 MIN. 半田付91%部半田めき0.001 MIN.
 2. 製品規格番号: 108-25017
 3. 嵌合相手型番: □-173281-□, 102584-□, 102585-□, 102667-□.

TYPE	THK	AVE	162.1	160.0	149.86	59	120	2-173282-6
Z LINE	0.00076 MIN		136.7	134.6	124.46	49	100	2- -5
			111.3	109.2	99.06	39	80	2- -4
			98.6	96.5	86.36	34	70	2- -3
			73.2	71.1	60.96	24	50	2- -2
Z LINE	0.00076 MIN		40.1	38.1	27.94	11	24	2-173282-1
1 LINE	0.0001 AVE		162.1	160.0	149.86	59	120	1-173282-6
			136.7	134.6	124.46	49	100	1- -5
			111.3	109.2	99.06	39	80	1- -4
			98.6	96.5	86.36	34	70	1- -3
			73.2	71.1	60.96	24	50	1- -2
1 LINE	0.0001 AVE		40.1	38.1	27.94	11	24	1-173282-1
OBsolete	NONE	0.00038 MIN	73.2	71.1	60.96	24	50	173282-6
			162.1	160.0	149.86	59	120	1- -5
			136.7	134.6	124.46	49	100	1- -4
			111.3	109.2	99.06	39	80	1- -3
			98.6	96.5	86.36	34	70	1- -2
			40.1	38.1	27.94	11	24	1-173282-1

AMP Tyco Electronics AMP K.K. Kawasaki, Japan

DESCRIPTION: HEADER ASSEM, SHROUDED MOD II 254x 2.54 GRID. STD POSTS (WITH POLARIZING LUGS)

SIZE: G LOC: J DWG NO: C-173282

SCALE: 1 OF 1

REV: C1

PROJ. 951-120

ALL DIMENSIONS IN MM. DO NOT SCALE PRINT.

REV	DESCRIPTION	DATE	BY	CHK	APP
C1	REVISED PER ECO-09-022424		KK	AEG	
C	REVISED FDD-0183-99	11/7/99	KA		
B	ADDED ITEMS	11/10/99	JE		
B	ADDED 50 PINS	11/10/99	JE		
A	REVISED	11/10/99	JE		
O	RELEASED	11/10/99	JE		

AMP J 030-8 REV 1 61

Mouser Electronics

Authorized Distributor

Click to View Pricing, Inventory, Delivery & Lifecycle Information:

[TE Connectivity:](#)

[1-173282-4](#)