

4

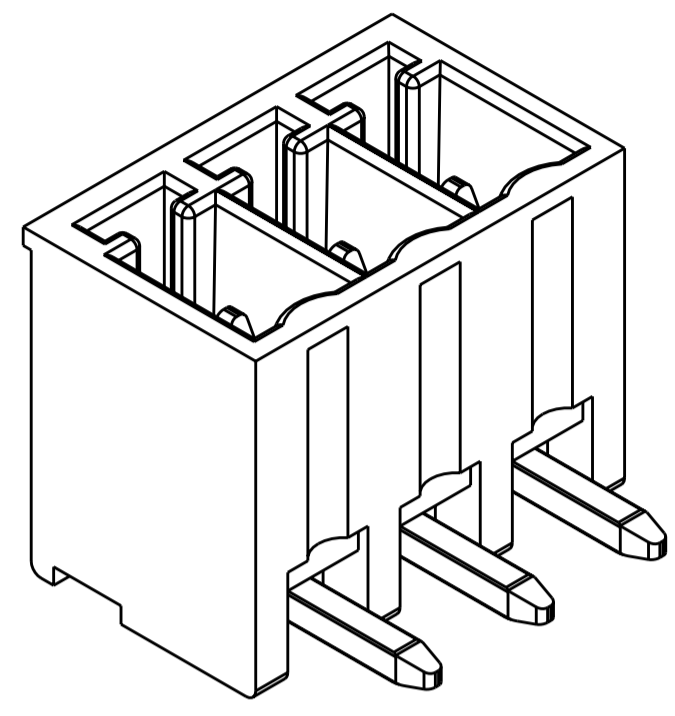
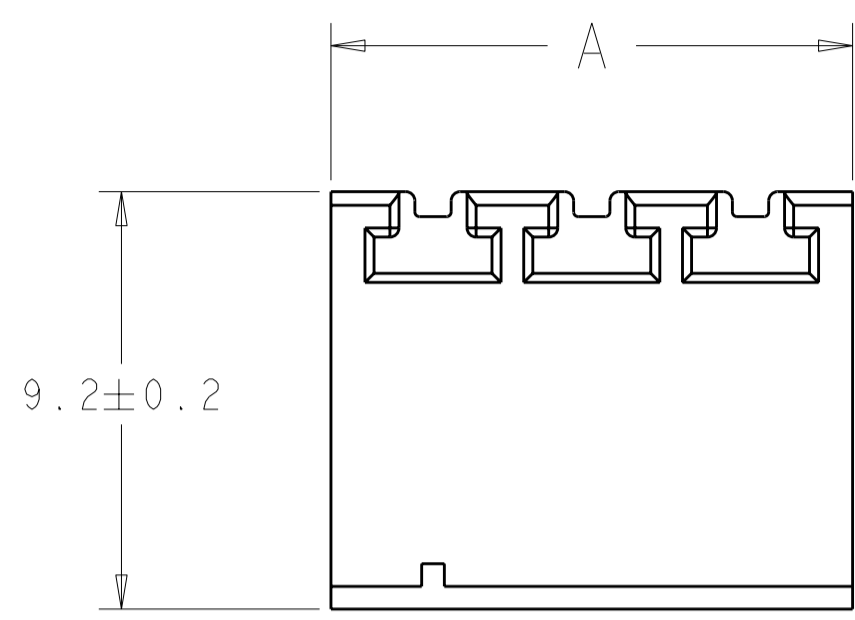
3

2

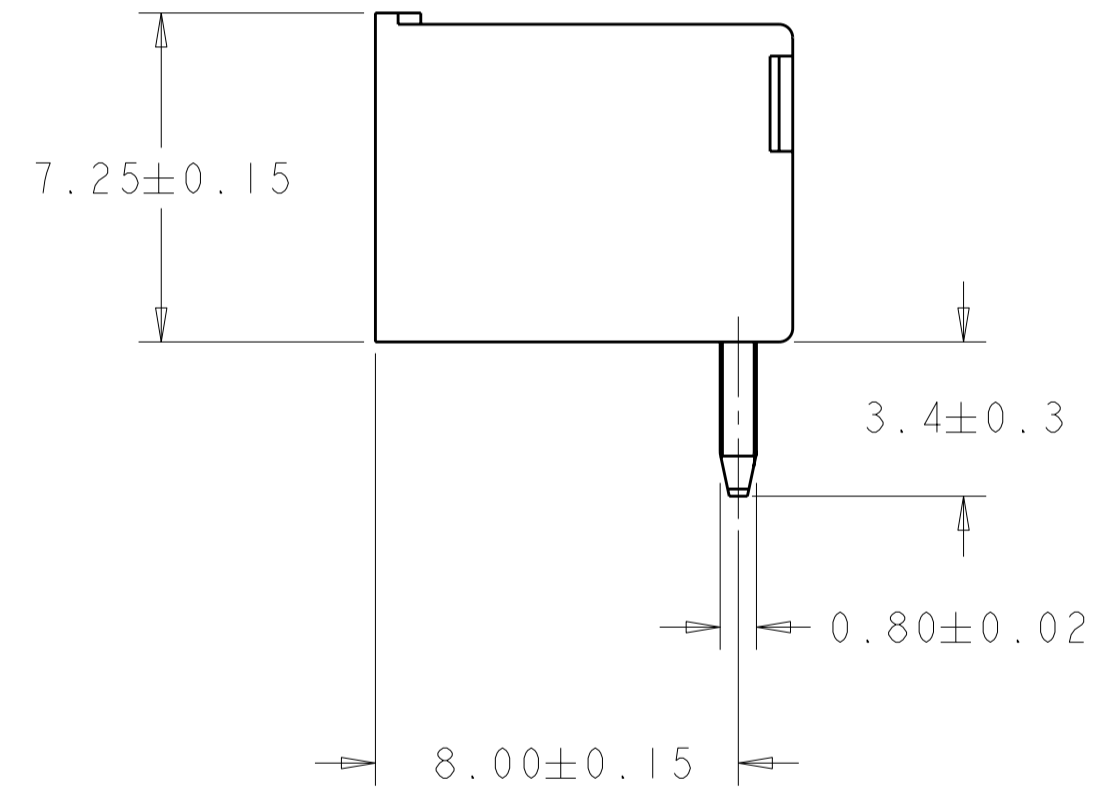
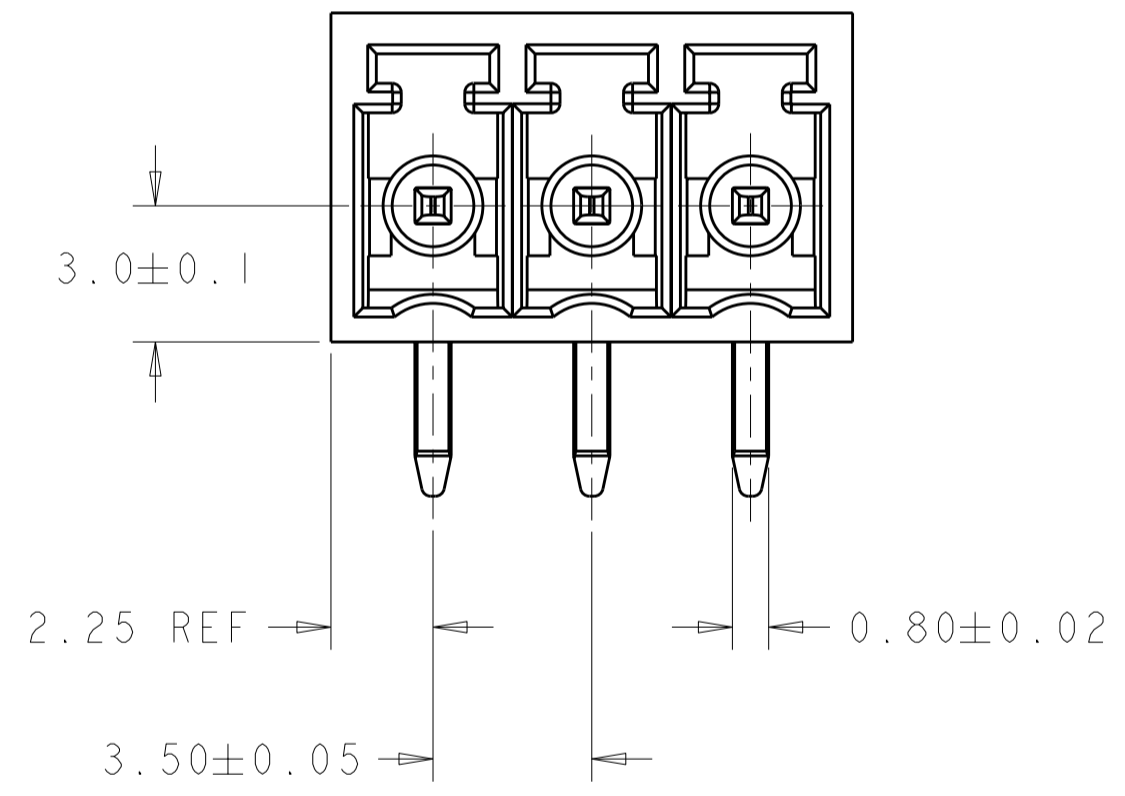
1

THIS DRAWING IS UNPUBLISHED. RELEASED FOR PUBLICATION 20
 © COPYRIGHT 20 BY TYCO ELECTRONICS CORPORATION. ALL RIGHTS RESERVED.

| LOC | DIST | REVISIONS | | | |
|-----|------|---------------|-----------|-----|------|
| P | LTR | DESCRIPTION | DATE | DWN | APVD |
| FT | 0 | 0 PRELIMINARY | 08MAY2006 | SW | CR |

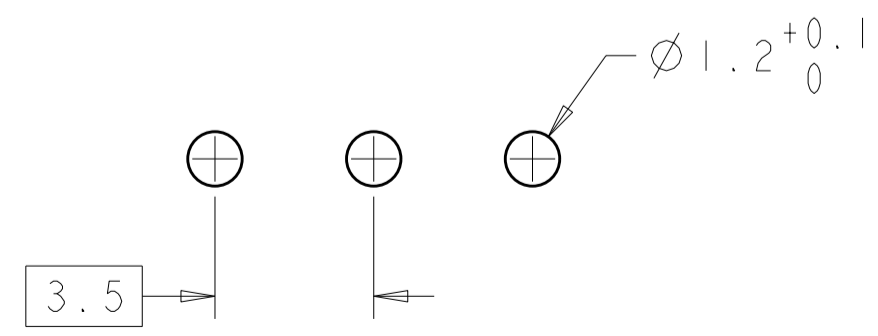


- 1. MATERIAL AND FINISH:
HOUSING: PA 6.6, UL 94V-0 RATED, COLOR: GREEN.
TERMINAL: PHOSPHOR BRONZE, TIN PLATED.
- 2. SUITABLE FOR 1.6-2.4mm PC BOARD THICKNESS.
- 3. NOT CUMMULATIVE TOLERANCE.



THIS PRINT IS
PRELIMINARY
 PRIOR TO CUSTOMER ORDER
 CONTACT PRODUCT ENGINEERING
 BEFORE USING THIS PRINT

| | | |
|------|------------|-------------|
| 18.5 | 5 | 1776359-5 |
| 11.5 | 3 | 1776359-3 |
| 8.0 | 2 | 1776359-2 |
| A | NO OF POSN | PART NUMBER |



RECOMMENDED PC BOARD LAYOUT

| DIMENSIONS: | | TOLERANCES UNLESS OTHERWISE SPECIFIED: | | DWN | 08MAY2006 | Tyco Electronics | | | |
|------------------|--|--|--------------|------------------|-----------|---|-----------|------------|---------------|
| mm | | 0 PLC ±- | 1 PLC ±0.3 | S. WELDON | 08MAY2006 | Harrisburg, PA 17105-3608 | | | |
| | | 2 PLC ±0.25 | 3 PLC ±0.000 | CHK C. RICHARD | 08MAY2006 | BUCHANAN PRELIMINARY | | | |
| | | 4 PLC ±0.000 | ANGLES ±2° | APVD C. RICHARD | 08MAY2006 | | | | |
| MATERIAL | | FINISH | | PRODUCT SPEC | - | NAME TERMINAL BLOCK HEADER ASSEMBLY, 90 DEGREE, CLOSED ENDS, NO LIP 3.5mm PITCH | | | |
| | | | | APPLICATION SPEC | - | SIZE | CAGE CODE | DRAWING NO | RESTRICTED TO |
| | | | | WEIGHT | - | A2 | 00779 | C-1776359 | - |
| CUSTOMER DRAWING | | | | SCALE | 6:1 | SHEET | 1 | OF | 1 |
| | | | | REV | 0 | | | | |

Mouser Electronics

Authorized Distributor

Click to View Pricing, Inventory, Delivery & Lifecycle Information:

[TE Connectivity:](#)

[1776359-3](#)