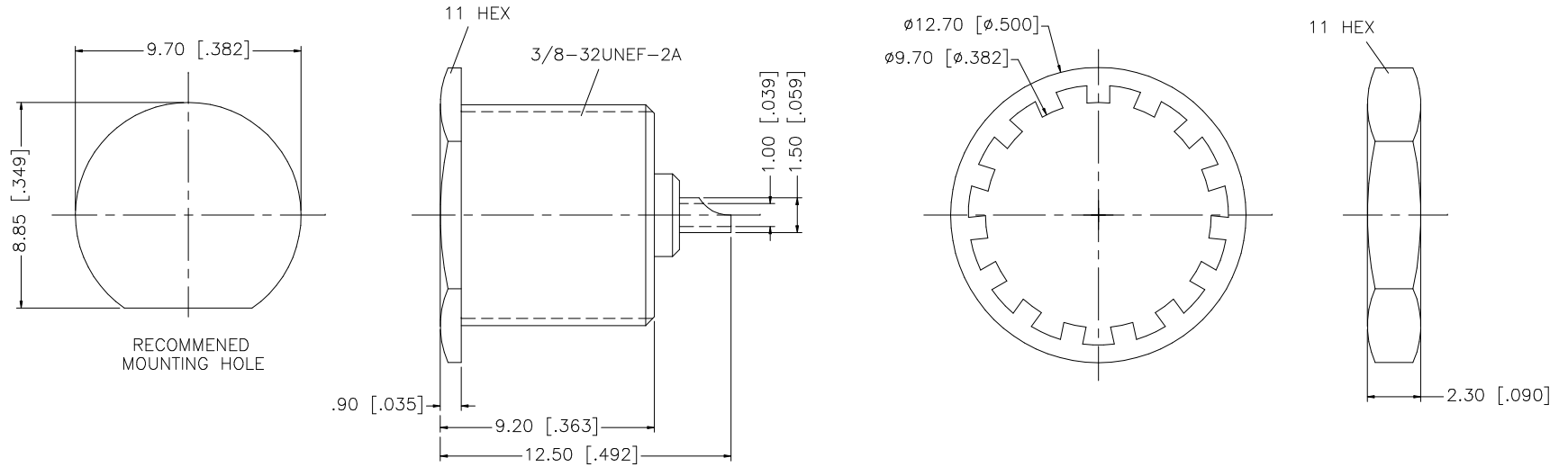


| REV. | DATE | DESCRIPTION |
|------|----------|-----------------------|
| A | 12/09/03 | UPDATE DRAWING FORMAT |



| | | | | | | | | | | | | | | |
|-------------|-------------|--------|---------|---------|---|-------------------|----------|---|------------|------|----------------------|------|---|-------|
| 8 | | | | | <p>UNLESS OTHERWISE SPECIFIED DIMENSIONS ARE IN MILLIMETERS. DIMENSIONS IN [] ARE IN INCHES AND FOR CUSTOMER REFERENCE ONLY.</p> <p>UNLESS OTHERWISE SPECIFIED TOLERANCES FOR MILLIMETERS ARE: 0.5 - 8mm ± 0.20mm 8 - 30mm ± 0.40mm 30 - 120mm ± 0.50mm</p> <p>UNLESS OTHERWISE SPECIFIED TOLERANCES FOR INCHES ARE: .020 - .315 = ± 0.007" .315 - 1.180 = ± 0.015" 1.180 - 4.724 = ± 0.020"</p> | APPROVALS | DATE | <h1 style="color: blue; text-align: center;">Amphenol Connex</h1> | | | | | | |
| 7 | | | | DRAWN | | G.R.S. | 12/09/03 | | | | | | | |
| 6 | | | | CHECKED | | | | | | | | | | |
| 5 | HEX NUT | BRASS | NICKEL | 1 | | ISSUED | | PART DESCRIPTION | | | | | | |
| 4 | LOCK WASHER | BRASS | NICKEL | 1 | | | | SMB BULKHEAD RECESSED RECEPT. JACK | | | | | | |
| 3 | CONTACT PIN | BRASS | GOLD | 1 | | | | PART NO. | | | | | | |
| 2 | INSULATOR | TEFLON | NATURAL | 1 | | | | 142156 | | | | | | |
| 1 | BODY | BRASS | NICKEL | 1 | | SHEET | 1 OF 1 | DWG. NO. | 142156.DWG | REV. | NC | SIZE | A | SCALE |
| | | | | | CAD FILE | C:/142/142156.DWG | | | | | | | | |
| DESCRIPTION | | | | | MATERIAL | | FINISH | | QTY | | DO NOT SCALE DRAWING | | | |

Mouser Electronics

Authorized Distributor

Click to View Pricing, Inventory, Delivery & Lifecycle Information:

[Amphenol:](#)

[142156](#)