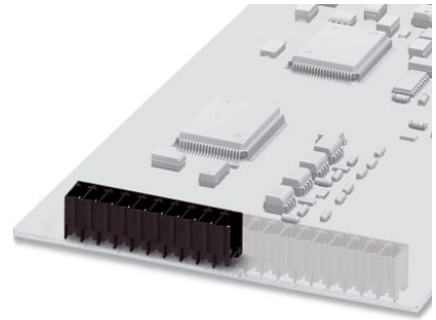



# MCV 1,5/ 6-GL-3,81 P26 THR

Order No.: 1707531



<http://eshop.phoenixcontact.de/phoenix/treeViewClick.do?UID=1707531>

Header, Nominal current: 8 A, Rated voltage (III/2): 160 V, Number of positions: 6, Pitch: 3.81 mm, Color: Black, Assembly: SMD/THT/THR, User information and design recommendations on through hole reflow technology can be found at: <http://www.combicon.com>

Commercial data	
GTIN (EAN)	 4 046356 034234
Note	Made-to-order
sales group	E171
Pack	50 pcs.
Customs tariff	85366990
Catalog page information	Page 180 (NTK-2006)

### Product notes

WEEE/RoHS-compliant since:  
03/30/2005



<http://www.download.phoenixcontact.com>  
Please note that the data given here has been taken from the online catalog. For comprehensive information and data, please refer to the user documentation. The General Terms and Conditions of Use apply to Internet downloads.

## Certificates / Approvals



Certification

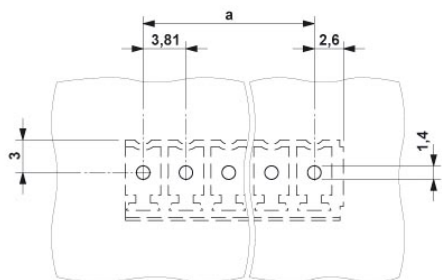
CUL, UL

**Accessories**

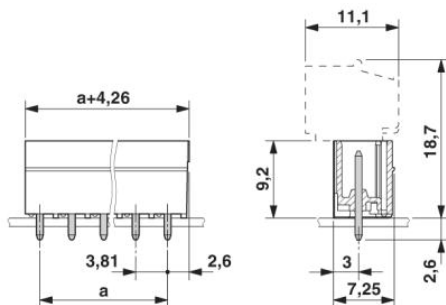
Item	Designation	Description
<b>Marking</b>		
1954359	CP-MSTB NAT HT	Keying profile, prior to reflow soldering it is inserted in the groove on the connector and header, made from high-temperature-resistant beige insulation material
0804109	SK 3,81/2,8:FORTL.ZAHLEN	Marker card, printed horizontally, self-adhesive, 10-section marker strip, 14 identical decades marked 1-10, 11-20 etc. up to 91-(99)100, sufficient for 140 terminal blocks
0804109	SK 3,81/2,8:FORTL.ZAHLEN	Marker card, printed horizontally, self-adhesive, 10-section marker strip, 14 identical decades marked 1-10, 11-20 etc. up to 91-(99)100, sufficient for 140 terminal blocks
<b>Plug/Adapter</b>		
1734634	CP-MSTB	Keying profile, is inserted into the slot on the plug or inverted header, red insulating material

**Diagrams/Drawings**

Drilling plan/solder pad geometry



Dimensioned drawing



**Address**

PHOENIX CONTACT Inc., USA  
586 Fulling Mill Road  
Middletown, PA 17057, USA  
Phone (800) 888-7388  
Fax (717) 944-1625  
<http://www.phoenixcon.com>



© 2011 Phoenix Contact  
Technical modifications reserved;