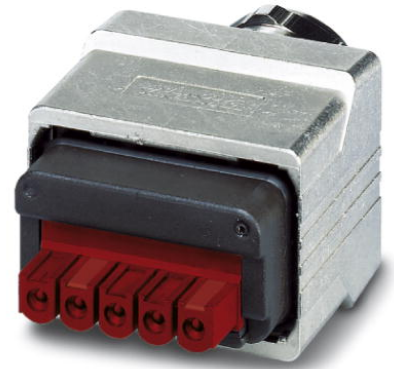



**VS-PPC-C2-MSTB-MNNA-P13-B5-SP**

Order No.: 1608223

<http://eshop.phoenixcontact.de/phoenix/treeViewClick.do?UID=1608223>

MSTB connector, IP67, with push-pull interlocking, metal housing, 400 V, 5-pos., with spring-cage connection, for AWG 18 ... 13, for cable cross section 9.0 mm ... 13.0 mm

**Commercial data**

GTIN (EAN)	
sales group	D562
Pack	1 pcs.
Customs tariff	85366990

**Product notes**

WEEE/RoHS-compliant since:  
09/27/2006



<http://www.download.phoenixcontact.com>  
Please note that the data given here has been taken from the online catalog. For comprehensive information and data, please refer to the user documentation. The General Terms and Conditions of Use apply to Internet downloads.

**Technical data****Mechanical characteristics**

Number of positions	5
Locking type	Push Pull
Insertion/withdrawal cycles	≥ 100
Connection method	Spring-cage conn.

Conductor cross-section	0.75 mm <sup>2</sup> ... 2.5 mm <sup>2</sup>
Connection cross-section AWG	18 ... 13
External cable diameter	9 mm ... 13 mm
Color	silver
Ambient temperature (operation)	-40 °C ... 70 °C

#### Material data

Inflammability class acc. to UL 94	V0
Housing material	Zinc die-cast
Housing surface material	Nickel-plated
Contact carrier material	PA
Contact material	Copper alloy
Contact surface material	Gold over nickel
Sealing material	NBR
Seal material	NBR
Cable seal material	TPE
Degree of protection	IP65/67

#### Electrical characteristics

Number of positions	5
Rated current	16 A (at 20°C)
Pollution degree	2

#### Accessories

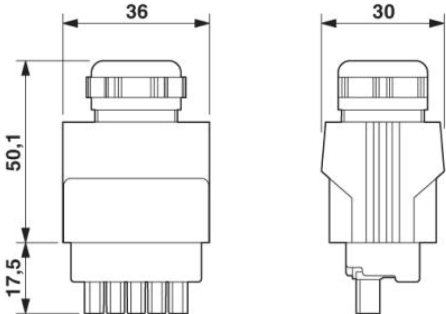
Item	Designation	Description
3202533	AI 2,5 -10 BU	Ferrule, Length: 17 mm, Color: blue

#### General

**Diagrams/Drawings**

Dimensioned drawing

---



**Address**

PHOENIX CONTACT Inc., USA  
586 Fulling Mill Road  
Middletown, PA 17057, USA  
Phone (800) 888-7388  
Fax (717) 944-1625  
<http://www.phoenixcon.com>



© 2011 Phoenix Contact  
Technical modifications reserved;