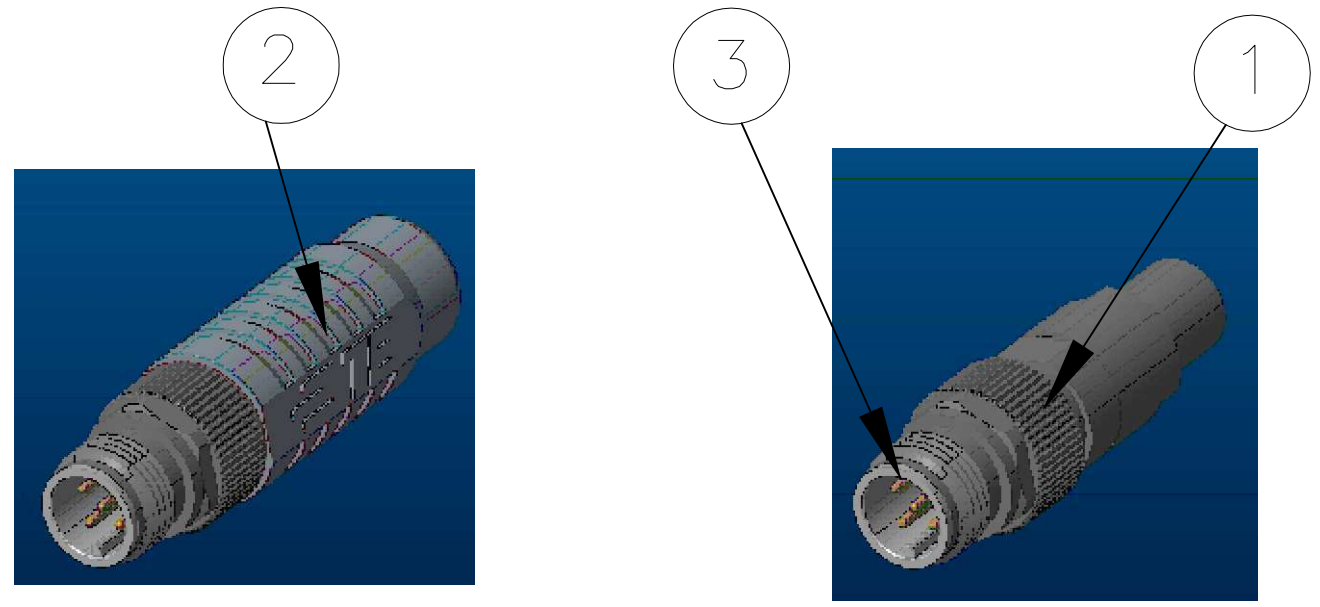
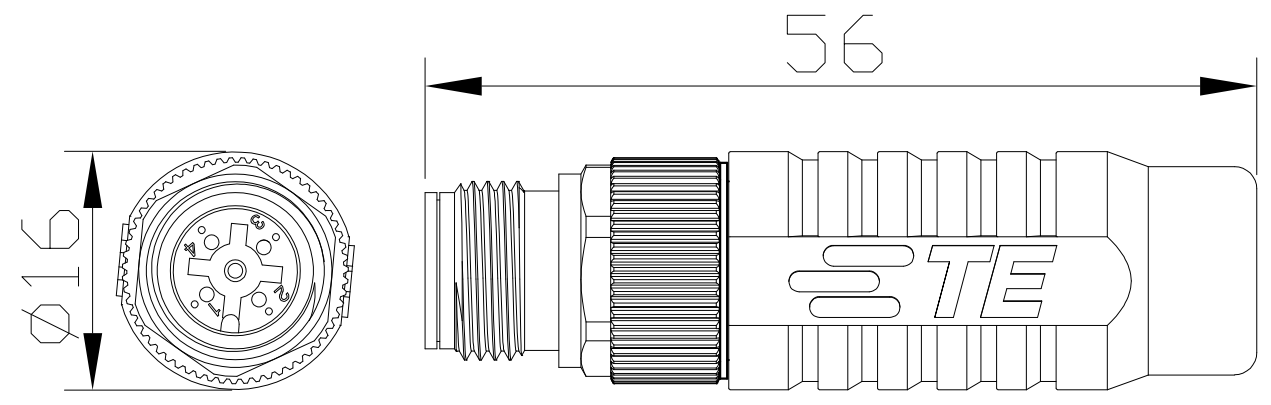


THIS DRAWING IS UNPUBLISHED. RELEASED FOR PUBLICATION NOV , 2007.
 © COPYRIGHT 2007 By - ALL RIGHTS RESERVED.

LOC	DIST	REVISIONS					
E	B	P	LTR	DESCRIPTION	DATE	DWN	APVD
			A1	ECR-16-000721	11FEB2016	GG	NG

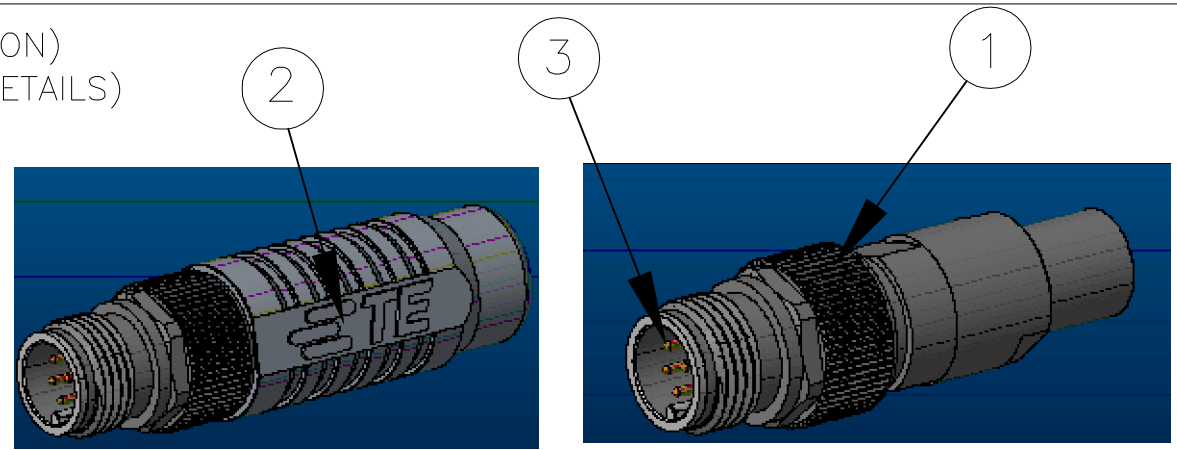
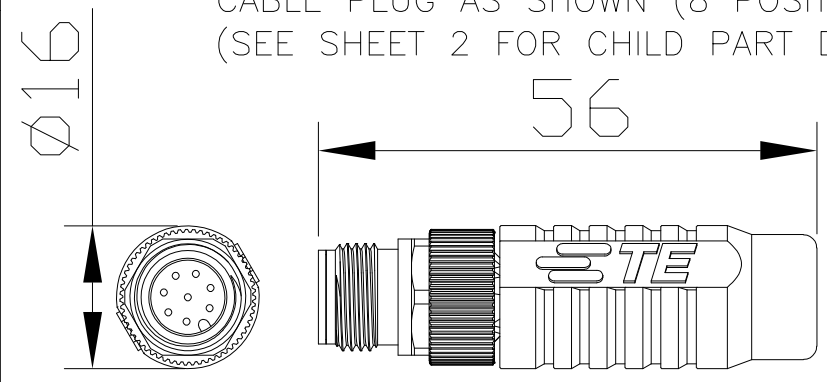
PROJECT	PRJ-14-000004825
PART NO	X-2823449-X
HV DESC	M12, A-CODED,RAIL MALE CRIMP
CUSTOMER	GENERAL MARKET

CABLE PLUG AS SHOWN (5 POSITION)
 (SEE SHEET 2 FOR CHILD PART DETAILS)



CODE	TE FG PN'S	NUMBER OF POLES IN CONNECTOR	NUMBER OF CONTACTS REQUIRED	CABLE PLUG	CABLE REFERENCE	AWG	HAND TOOL (TE PN) (COMPACT)	HAND TOOL (TE PN) (STANDARD)	RECOMMENDED POSITIONER (TE PN) (COMPACT)	RECOMMENDED POSITIONER (TE PN) (STANDARD)	CRIMP INSERT TE PN'S	CRIMP INSERT TE PN'S	CABLE JACKET STRIPPING TOOL TE PN	ASSEMBLY TOOL HANDLE FOR CRIMP FLANGE TE PN	UNIVERSAL INSERT TE PN (ALL M12 CODES)	ASSEMBLY TOOL FRONT HOUSING AND BACK NUT TE PN	CABLE COLOUR	NUMBER OF WIRES PER CABLE	CABLE MANUFACTURER	CABLE PN
A code	1-2823449-1	5	4	x	Cat 5 Radox 6.6mm	AWG22			TE : 1-2823581-1,RECOMMENDED SETTINGS : MUST BE VALIDATED ON CABLE USED (SEL No.7)	TE : 1-2823582-4,RECOMMENDED SETTINGS : MUST BE VALIDATED ON CABLE USED		1-2823558-3					BLACK	4	H & S	12584038
A code	1-2823449-2	5	4	x	Cat 5 Radox 7.3mm	AWG22						1-2823558-4					BLACK	4	H & S	12568935
A code	1-2823449-3	5	4	x	Cat 5 Radox 8.3mm	AWG20						1-2823558-6					BLACK	4	H & S	12585489
A code	1-2823449-4	8	4	x	Cat 5 Radox 7.3mm	AWG22	TE PN : 601966-1	TE PN : 601967-1	TE : 1-2823582-8,RECOMMENDED SETTINGS (+/-1): MUST BE VALIDATED ON CABLE USED(SEL No.5)	TE : 1-2823582-6,RECOMMENDED SETTINGS : MUST BE VALIDATED ON CABLE USED	1-2823557-1	1-2823558-4	1-2823559-1	1-2823560-1	1-2823561-1	1-2823564-1	BLACK	4	H & S	12568935
A code	1-2823449-5	8	4	x	Cat 5 Radox 6.6mm	AWG22						1-2823558-3					BLACK	4	H & S	12584038

CABLE PLUG AS SHOWN (8 POSITION)
 (SEE SHEET 2 FOR CHILD PART DETAILS)



NOTES:

- MATERIAL:
 ITEM NO. 1: HOUSING - BRASS, NICKEL PLATED.
 ITEM NO. 2: PLASTIC BODY - PA (UL94 V-0).
 ITEM NO. 3: CONTACT FINISH - Au (gold).
 CONTACT - CuZn (Brass).
- ALL DIMENSIONS ARE FOR NOMINAL REFERENCE ONLY.
 - PACKAGING: 1 PIECE IN A BAG.
 - THE CONNECTOR IS AS PER IEC 61076-2-101.
 - TEMPERATURE RANGE: -40°C TO 85°C (WITH CABLE BOOT), -30°C TO 85°C (WITHOUT CABLE BOOT).
 - VIBRATION & SHOCK TEST CONDUCTED AS PER IEC 61373:1999.
 - FIRE PERFORMANCE CONDUCTED AS PER EN45545-2, NFF16-101 AND NFF16-102.
 - THE THREAD OF THE MATING INTERLACE WITH THE COUNTERPART IS M12x1 ACCORDING TO IEC61076-2-101.
 - REFER SPEC NO 408-156019 FOR INSTRUCTION SHEET (8 POSITION).
 - REFER SPEC NO 408-156022 FOR INSTRUCTION SHEET (5 POSITION).
 - CRIMP INSERT: SHOULD BE VALIDATED ON CABLE USED.
 - CUSTOMER SHOULD SELECT THE CONTACTS POSITIONS, BASED ON HIS REQUIREMENT.

THIS DRAWING IS A CONTROLLED DOCUMENT.

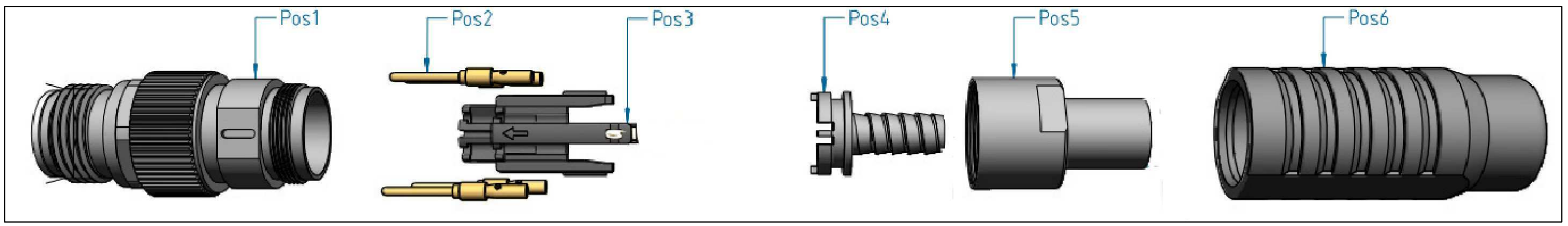
DIMENSIONS: MM	TOLERANCES UNLESS OTHERWISE SPECIFIED:	DWN GUNA 07DEC2015	 TE Connectivity			
	0 PLC ± -	CHK GANI 07DEC2015				
	1 PLC ± -	APVD JAYANTH 07DEC2015				
	2 PLC ± -	NAME M12, A-CODED RAIL MALE, CRIMP CONNECTORS				
MATERIAL -	FINISH -	PRODUCT SPEC 108-156001	SIZE A3	CAGE CODE 00779	DRAWING NO C-2823449	RESTRICTED TO -
		APPLICATION SPEC 114-156002	SCALE NTS	SHEET 1 OF 2	REV A1	
		WEIGHT 24 g	CUSTOMER DRAWING			

THIS DRAWING IS UNPUBLISHED. RELEASED FOR PUBLICATION NOV ,2007.
 © COPYRIGHT 2007 By - ALL RIGHTS RESERVED.

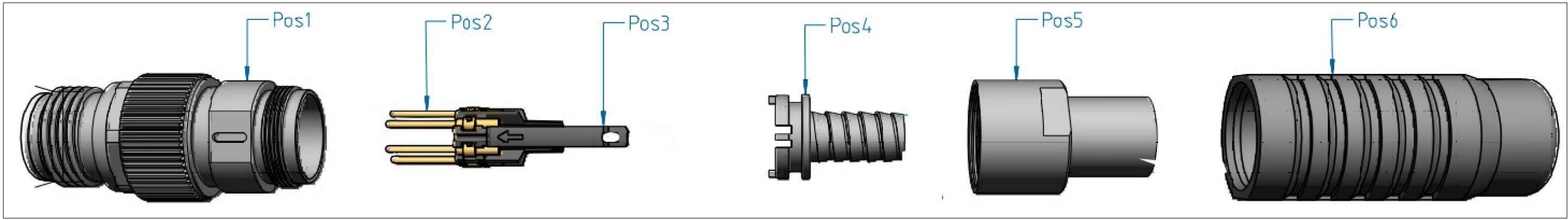
LOC	DIST	REVISIONS					
E	B	P	LTR	DESCRIPTION	DATE	DWN	APVD
		-		SEE SHEET 1	-	-	-

PROJECT	PRJ-14-000004825
PART NO	X-2823449-X
HV DESC	M12, A-CODED,RAIL MALE,CRIMP
CUSTOMER	GENERAL MARKET

CABLE PLUG AS SHOWN (5 POSITION)



CABLE PLUG AS SHOWN (8 POSITION)



6	GRIP BOOT	1	PC
5	BACK NUT & CRIMP SLEEVE	1	PC
4	CRIMP INSERT	1	PC
3	CONTACT HOLDER	1	PC
2	CRIMP CONTACTS MACHINED	4	PC
1	FRONT HOUSING	1	PC
Position	DESCRIPTION	QTY	UNIT

THIS DRAWING IS A CONTROLLED DOCUMENT.

DIMENSIONS: MM	TOLERANCES UNLESS OTHERWISE SPECIFIED:
	0 PLC ± - 1 PLC ± - 2 PLC ± - 3 PLC ± - 4 PLC ± - ANGLES ± -
MATERIAL	FINISH
-	-

DWN	GUNA	07DEC2015
CHK	GANI	07DEC2015
APVD	JAYANTH	07DEC2015
PRODUCT SPEC	-	
APPLICATION SPEC	-	
WEIGHT	24 g	
CUSTOMER DRAWING		

STE TE Connectivity

NAME: M12, A-CODED RAIL MALE, CRIMP CONNECTORS

SIZE	CAGE CODE	DRAWING NO	RESTRICTED TO
A3	00779	C-2823449	-

SCALE: NTS SHEET: 2 OF 2 REV: A1

Mouser Electronics

Authorized Distributor

Click to View Pricing, Inventory, Delivery & Lifecycle Information:

[TE Connectivity:](#)

[1-2823449-4](#) [1-2823449-5](#) [1-2823449-3](#) [1-2823449-2](#) [1-2823449-1](#)