

4

3

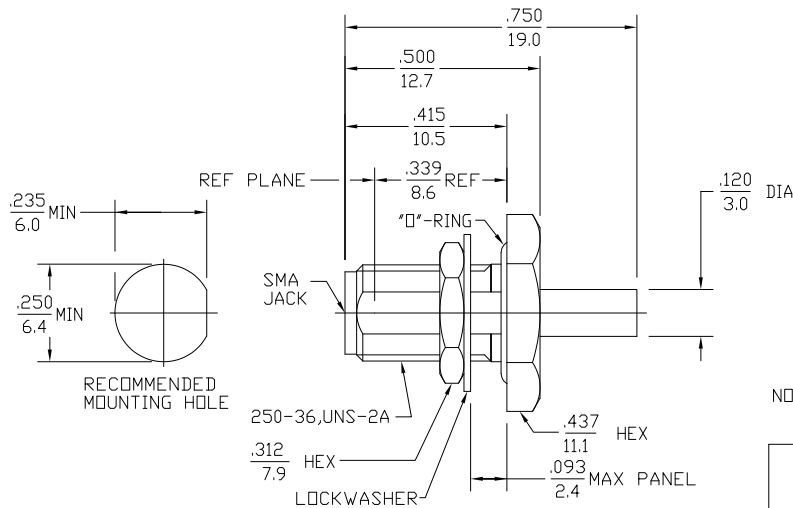
2

1

THIS DRAWING IS UNPUBLISHED. RELEASED FOR PUBLICATION
 BY TYCO ELECTRONICS CORPORATION. ALL RIGHTS RESERVED.

CABLE ENTRY DIA. MIN	.089	LOC	00
HOUSING	.089	AJ	
CONTACT	.021		

REVISIONS			
REV	DATE	BY	APP'D
B	1/17/2008	DW	JL
REV PER EDD 07-027471			



NOTE: DESIGN FOR USE WITH .085 DIA
SEMI-RIGID CABLE

1051018-1
PART NUMBER

ELECTRICAL	MECHANICAL	ENVIRONMENTAL
Nominal Impedance (Ohms) 50	Interface Dimensions MIL-STD-348, Fig. 310.2	TEMPERATURE RATING -65°C TO +105°C
Frequency Range (GHz) DC to 18	Recommended Mating Torque 7-10 INLBS	Vibration MIL-STD-202, Method 204, Condition D
Volt Rating (VRMS MAX) @ Sea Level 335	Mating Characteristics: Insertion (MAX Lbs) 3.0	Shock MIL-STD-202, Method 213, Condition I
VSWR 1.07 + .008 F(GHz)	Withdrawal (MIN Oz) 1.0	Thermal Shock MIL-STD-202, Method 107, Condition B
Insertion Loss (dB MAX) .03 $\sqrt{F(\text{GHz})}$	Force to Engage and Disengage (In/Lbs MAX) 2.0	EXCEPT HIGH TEMP +115°C
RF Leakage (dB MIN) -90 @ 2 to 3 (GHz)	Center Contact Captivation Axial (Lbs) N/A	Moisture Resistance MIL-STD-202, Method 106, Insulation Resistance
Corona, 70,000 Ft (VRMS MIN) 250	Radial (In/Oz) N/A	Shall Be 200 Megohms min within 5 Minutes After Removal From Humidity
Dielectric Withstanding Voltage (VRMS MIN) @ Sea Level 1000	Cable Retention Axial Force (Lbs) 30	Corrosion - MIL-STD-202, Method 101, Condition B, 5% salt spray
Contact Resistance (Milliohms MAX) Center Contact 3.0	Torque (In/Oz) 16	
Outer Contact 2.0	Weight (Grams) 3.5	
Cable to Housing 0.5		
RF High Potential @ Sea Level (VRMS MIN @ 5 MHz) 670		
I.R.(Megohms MIN) 10,000		

COMPONENT	MATERIAL	FINISH
HOUSING MOUNTING NUT	STAINLESS STEEL PER ASTM-A484 AND ASTM-A582, TYPE 303	GOLD PLATE PER MIL-G-45204
DIELECTRIC	TFE FLUOROCARBON PER ASTM-D-1457	N/A
CENTER CONTACT	BERYLLIUM COPPER PER ASTM-B-196 OR ASTM-B-197, ALLOY C17300, CONDITION H	GOLD PLATE PER MIL-G-45204
LOCKWASHER	PHOSPHOR BRONZE PER QQ-B-750, GRADE B2 OR TIN BRASS PER ASTM-B-591	GOLD PLATE PER MIL-G-45204
GASKET	SILICONE RUBBER PER ZZ-R-765	N/A

THIS DRAWING IS A CONTROLLED DOCUMENT.		DATE: 6/5/87	Tyco Electronics Corporation Harrisburg, PA 17105-3608	
DIMENSIONS: INCHES	OTHER DIMENSIONS: MILLIMETERS	DATE: 6/21/87	NAME: SMA STRAIGHT BULKHEAD FEEDTHROUGH CABLE JACK DIRECT SOLDER ATTACHMENT	
0 PLC ± .010	0.125 ± .005	DATE: 6/21/87	SIZE: A2	CAGE CODE: 00779
1 PLC ± .005	0.005 ± .001	APPLICATION SPEC: 408-04769	DRAWING NO: 1051018-1	RESTRICTED TO: -
2 PLC ± .002	0.002 ± .0005	REVISION: -	SCALE: 1:1	SHEET: 1 of 1
3 PLC ± .001	0.001 ± .0002	CUSTOMER DRAWING	REV: B	

AMP 1471-9 REV 31MM2000

1051018-1

A