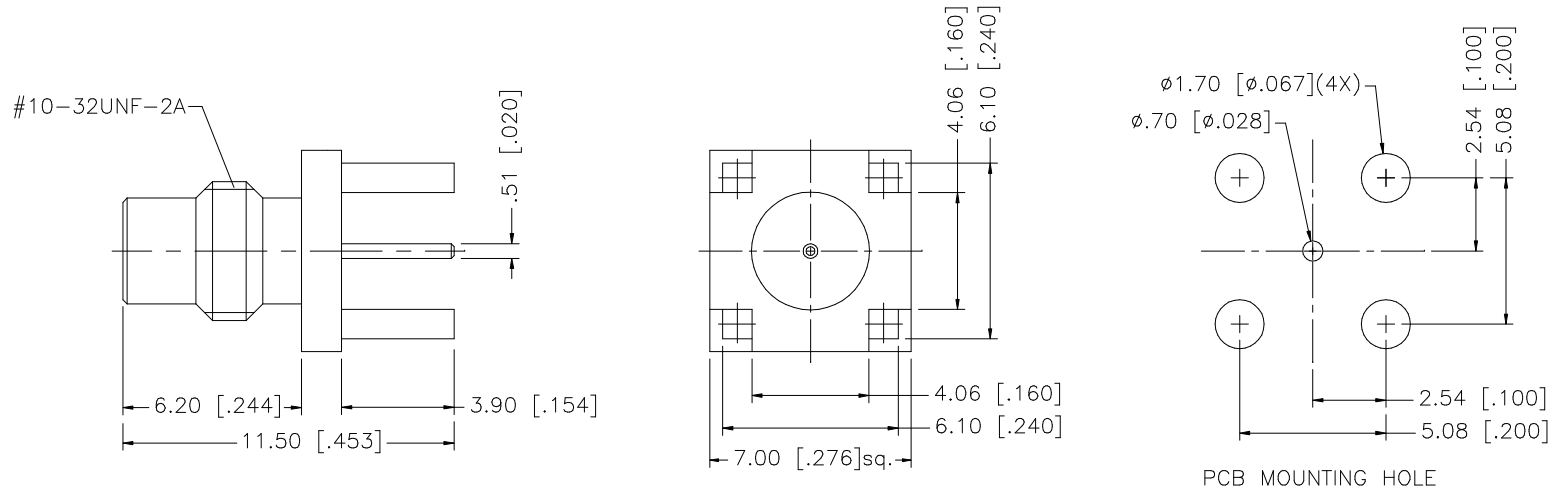


REV.	DATE	DESCRIPTION
NC	07/15/03	INITIAL RELEASE



REV.	DATE	DESCRIPTION
NC	07/15/03	INITIAL RELEASE

8				<small>UNLESS OTHERWISE SPECIFIED DIMENSIONS ARE IN MILLIMETERS. DIMENSIONS IN [ ] ARE IN INCHES AND FOR CUSTOMER REFERENCE ONLY.</small>  <small>UNLESS OTHERWISE SPECIFIED TOLERANCES FOR MILLIMETERS ARE:  0.5 - 8mm ± 0.20mm  8 - 30mm ± 0.40mm  30 - 120mm ± 0.50mm</small>  <small>UNLESS OTHERWISE SPECIFIED TOLERANCES FOR INCHES ARE:  .020 - .315 = ± 0.007"  .315 - 1.180 = ± 0.015"  1.180 - 4.724 = ± 0.020"</small>	APPROVALS	DATE	<h1 style="color: blue;">Amphenol Connex</h1>						
7			DRAWN		G.R.S.	07/15/03							
6			CHECKED										
5			ISSUED										
4			SHEET		1 OF 1								
3	CONTACT PIN	BRASS	GOLD		1			PART DESCRIPTION	SMC P.C. MOUNT JACK - 75ohm				
2	INSULATOR	TEFLON	NATURAL		1			PART NO.	152119-75				
1	BODY	BRASS	GOLD		1			DWG. NO.	152119-75.DWG				
	DESCRIPTION	MATERIAL	FINISH	QTY	DO NOT SCALE DRAWING	CAD FILE	C:/152/152119-75.DWG	REV.	NC	SIZE	A	SCALE	NA

# Mouser Electronics

Authorized Distributor

Click to View Pricing, Inventory, Delivery & Lifecycle Information:

[Amphenol:](#)

[152119-75](#)