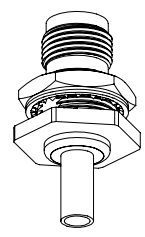
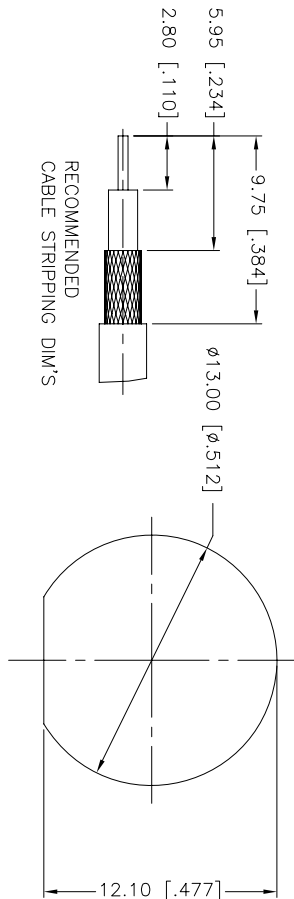
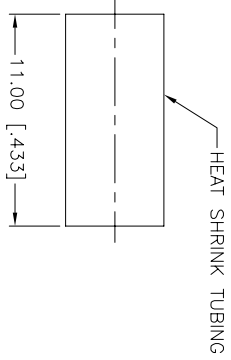
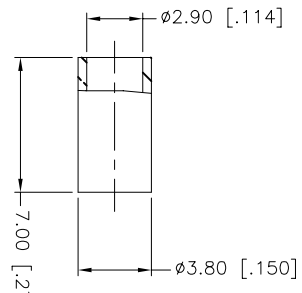
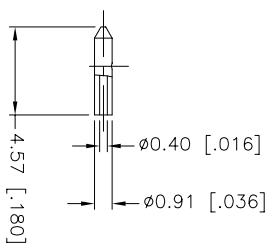
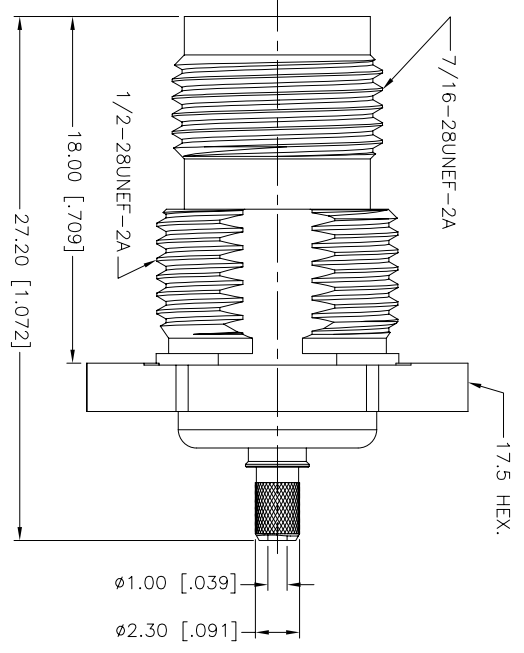
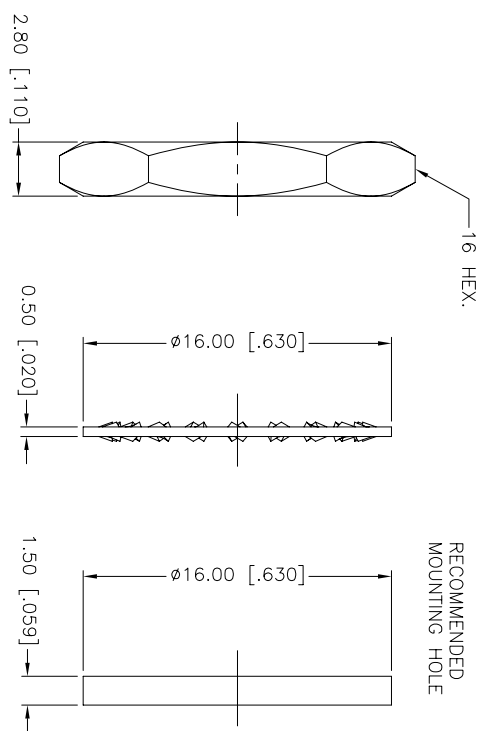


REV.	DATE	ECR. NO.	DESCRIPTION
NC	02/23/10	XXXXXX	INITIAL RELEASE



SCALE 1.000



1. CRIMPED FERRULE  
HEX CRIMP SIZE :128"
2. CRIMPED CONTACT PIN  
SQ. CRIMP SIZE 0.7(mm)
3. MAX. PANEL THICKNESS=4.2mm

UNLESS OTHERWISE SPECIFIED DIMENSIONS ARE IN INCHES AND FOR CUSTOMER REFERENCE ONLY.	UNLESS OTHERWISE SPECIFIED TOLERANCES FOR MILLING ARE:	UNLESS OTHERWISE SPECIFIED DIMENSIONS ARE IN INCHES AND FOR CUSTOMER REFERENCE ONLY.	UNLESS OTHERWISE SPECIFIED TOLERANCES FOR INCHES ARE:	APPROVALS	DATE	PART DESCRIPTION
	0.3 - 8mm ± 0.20mm		0.02 - .315 = ± 0.007"	DRAWN	02/23/10	<b>Amphenol Connex</b> TNC BULKHEAD CRIMP JACK IP-67 COMPLIANT (FOR RG-178B/U, RG-196A/U CABLE)
	8 - 30mm ± 0.40mm		.315 - 1.180 = ± 0.015"	CHECKED		
	30 - 120mm ± 0.50mm		1.180 - 4.724 = ± 0.020"	ISSUED		
3	CONTACT PIN	BRASS	GOLD	SHEET	1 OF 1	PART NO. 122370-11
2	INSULATOR	PIFTE	NATURAL			DWG. NO. 122370-11.DWG
1	BODY	BRASS	NICKEL			REV. NC
	DESCRIPTION	MATERIAL	FINISH	QTY		SIZE A
						SCALE NA

DO NOT SCALE DRAWING

# Mouser Electronics

Authorized Distributor

Click to View Pricing, Inventory, Delivery & Lifecycle Information:

[Amphenol:](#)

[122370-11](#)