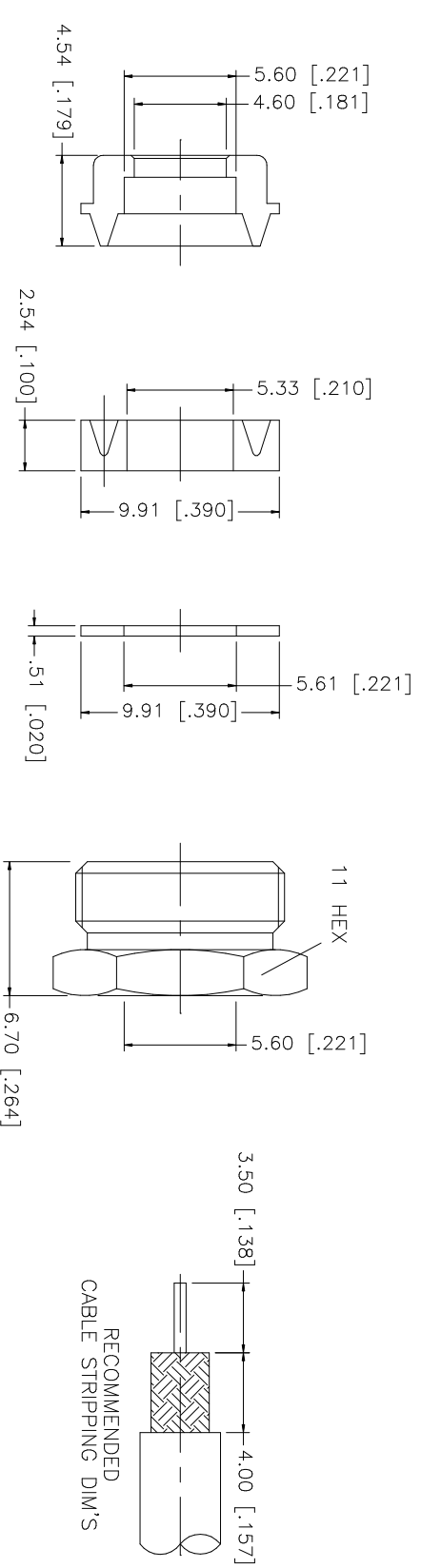
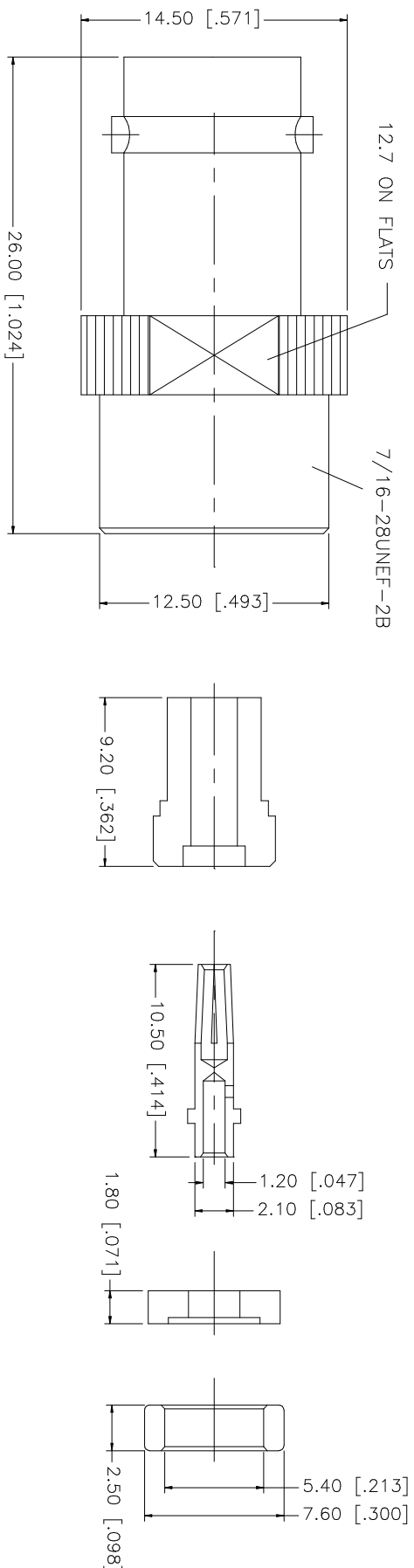


REV.	DATE	DESCRIPTION
NC	07/19/05	INITIAL RELEASE



QTY	FINISH	MATERIAL	DESCRIPTION
1	NICKEL	BRASS	HEX NUT
1	NICKEL	BRASS	WASHER
1	RED	SILICONE	GASKET
1	NICKEL	BRASS	BRAD CLAMP
1	NICKEL	BRASS	RING
1	NATURAL	TEFLON	INSULATOR
1	GOLD	PHOS. BRONZE	CONTACT PIN
1	NATURAL	TEFLON	INSULATOR
1	NICKEL	BRASS	BODY

UNLESS OTHERWISE SPECIFIED DIMENSIONS ARE IN MILLIMETERS DIMENSIONS IN [] ARE IN INCHES AND FOR CUSTOMER REFERENCE ONLY.	UNLESS OTHERWISE SPECIFIED TOLERANCES FOR MILLIMETERS ARE:	UNLESS OTHERWISE SPECIFIED TOLERANCES FOR INCHES ARE:
0.5 - 8mm ± 0.20mm	0.20 - .315 = ± 0.007"	.315 - 1.180 = ± 0.015"
8 - 30mm ± 0.40mm		1.180 - 4.724 = ± 0.020"
30 - 120mm ± 0.50mm		

APPROVALS	DATE
DRAWN G.R.S.	07/19/05

CAD FILE	DWG. NO.	REV.	NC	SIZE	SCALE
C:/112/112372.DWG	112372.DWG			A	NA

PART DESCRIPTION	PART NO.
BNC CLAMP JACK (FOR RG-58C/U, 58/U, 142A/U, 223/U)	112372

Amphenol Connex

Mouser Electronics

Authorized Distributor

Click to View Pricing, Inventory, Delivery & Lifecycle Information:

[Amphenol:](#)

[112372](#)