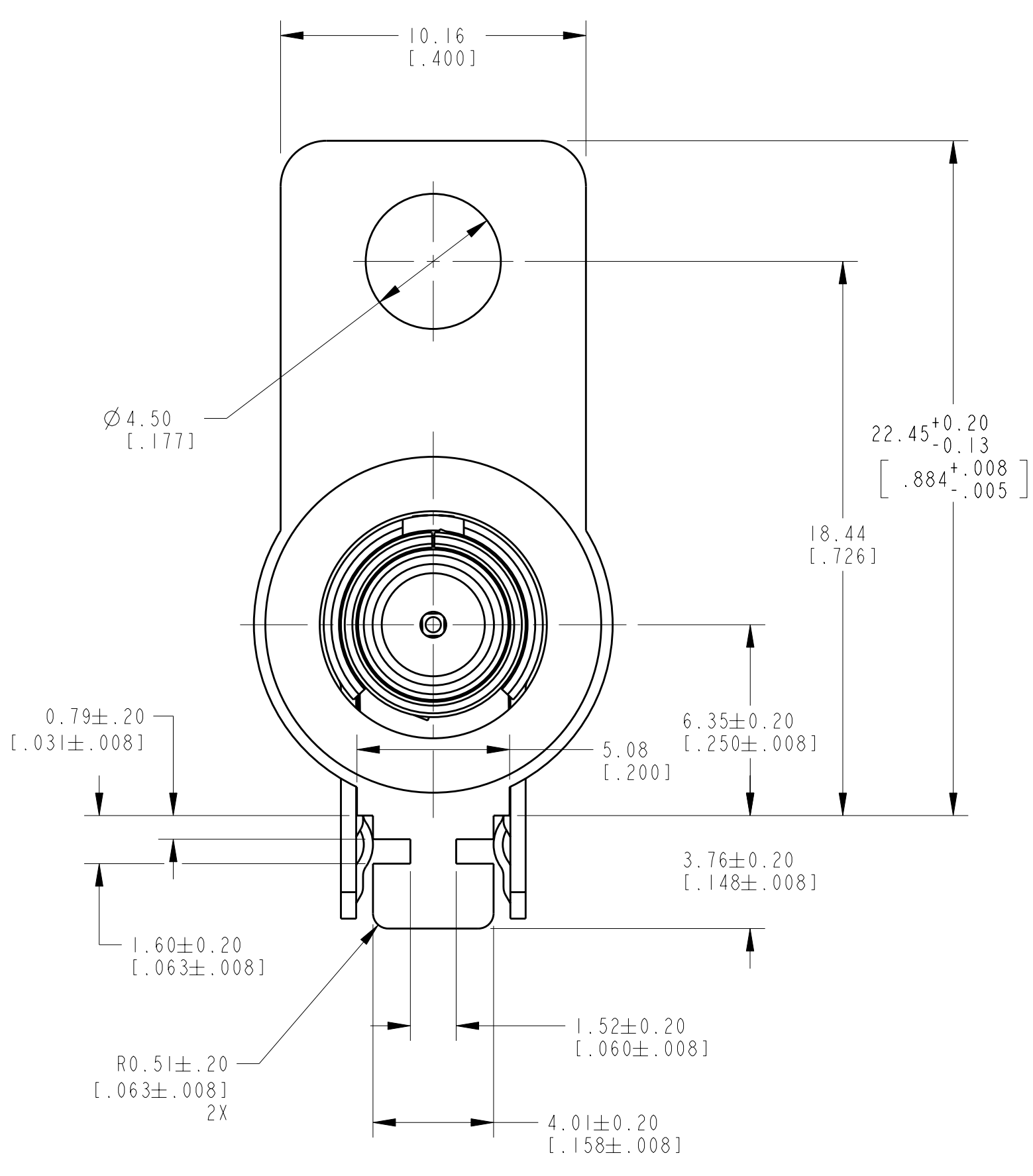
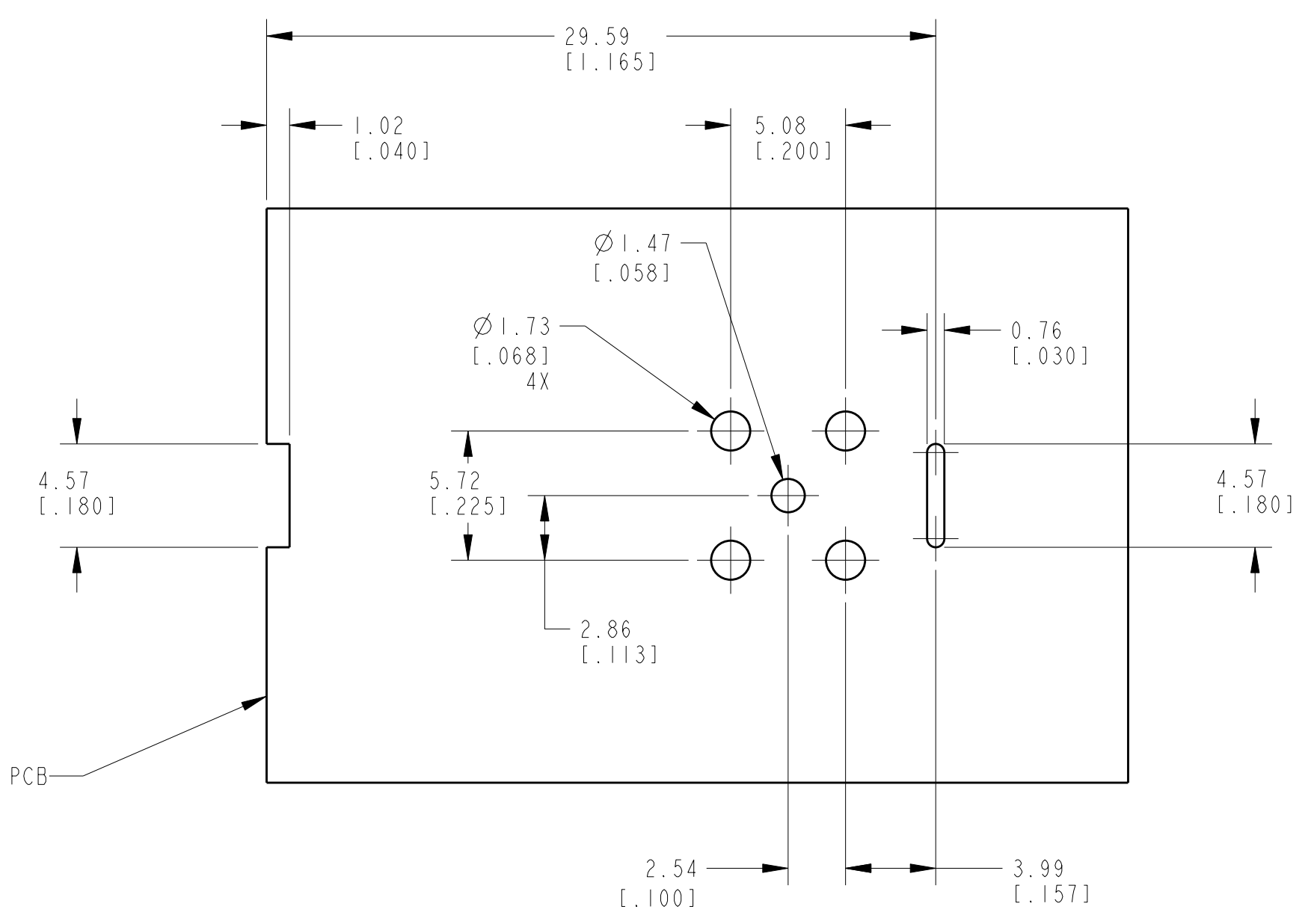
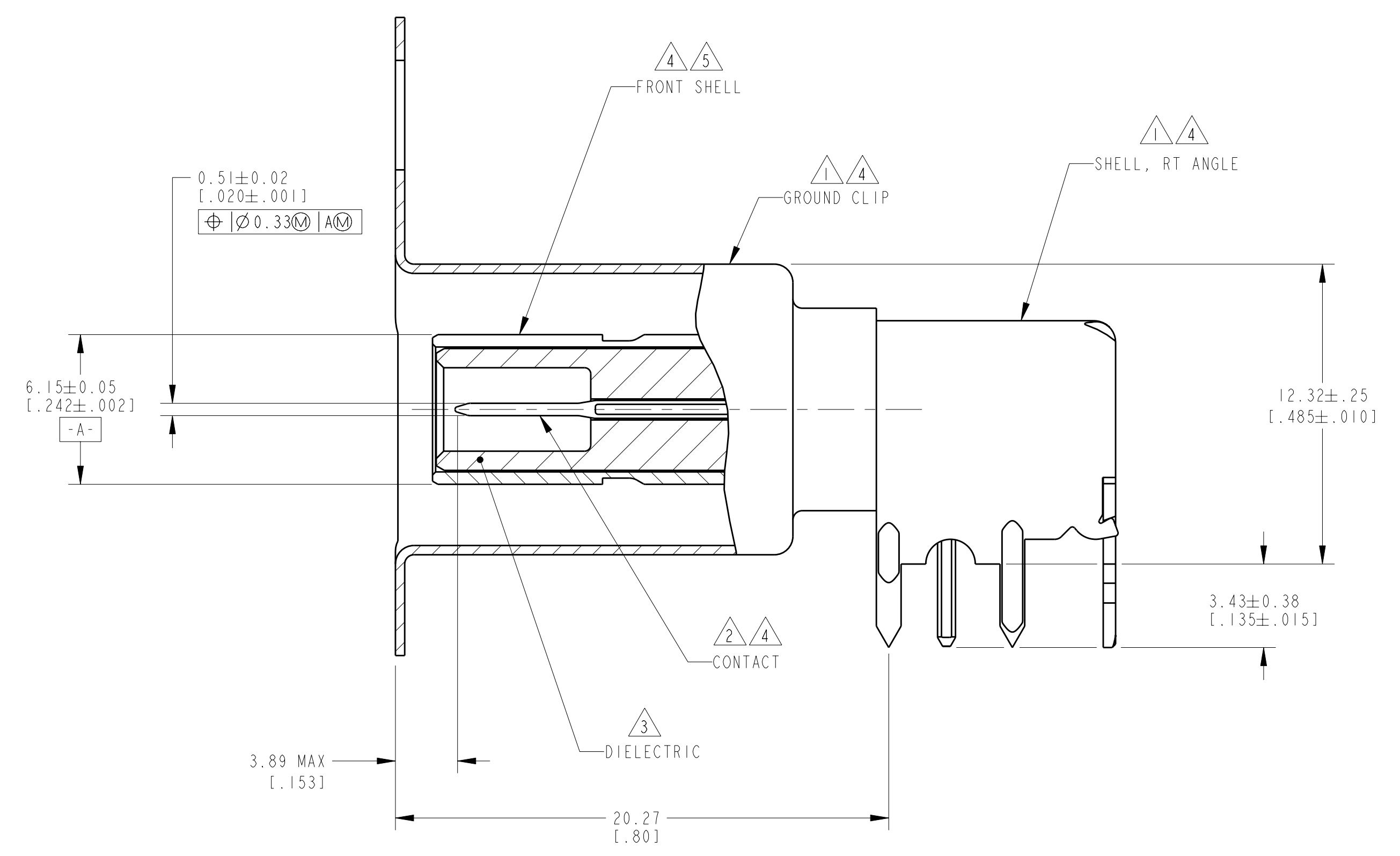


LOC	DIST	REV	DATE	BY	APPD
GE	00	J1	13MAR2012	DLD	LLV

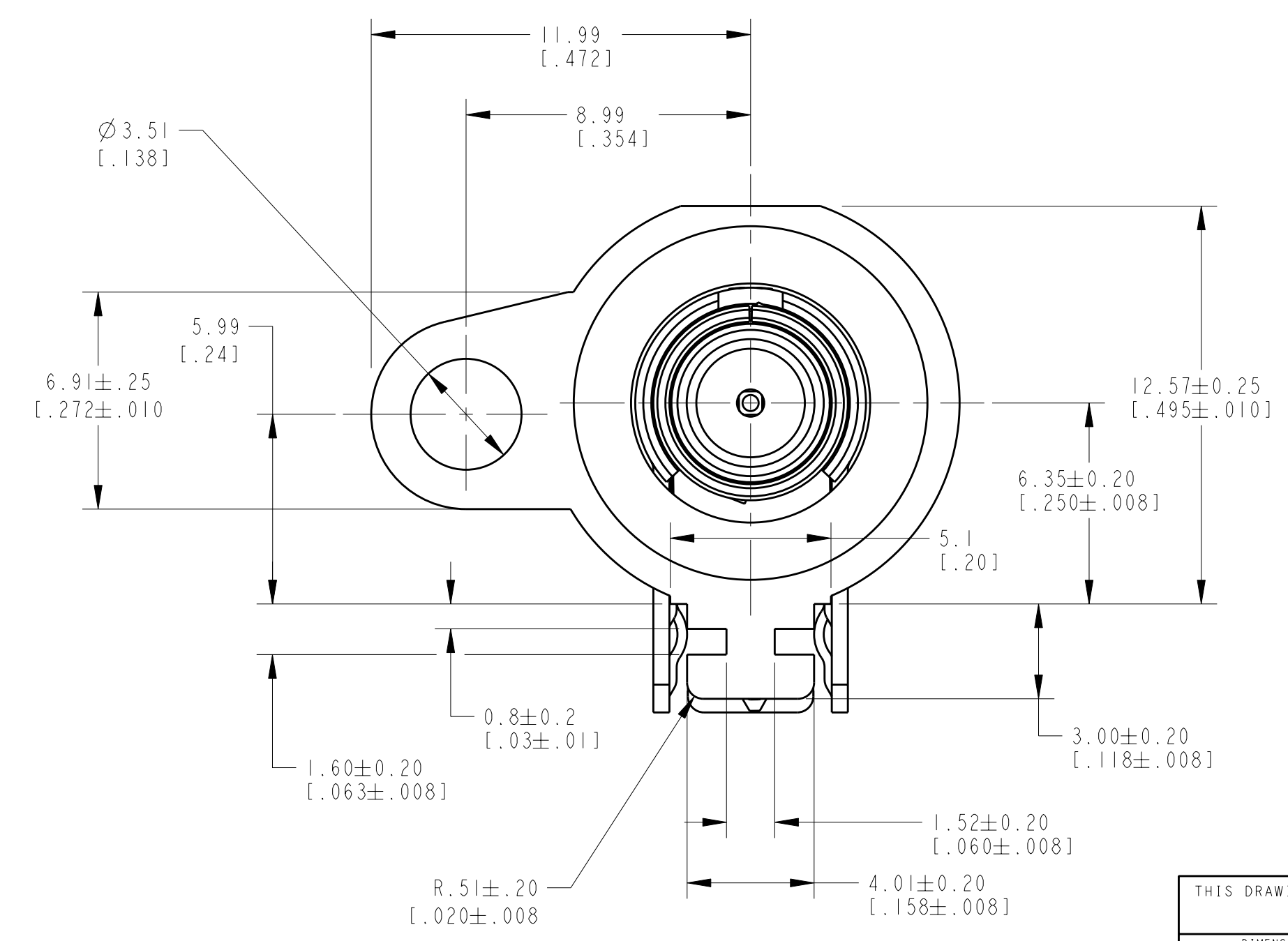
- 1 MATERIAL: BRASS PER ASTM-B-36
- 2 MATERIAL: BRASS PER ASTM-B-16
- 3 MATERIAL: TPX
- 4 FINISH: TIN PER ASTM-B-545
- 5 MATERIAL: BRASS PER ASTM-B-453
- 6 COMPANY LOGO



CONFIGURATION X



RECOMMENDED PCB LAYOUT FOR 1326508-1, -2 & -6
 PCB LAYOUT TOLERANCES:
 LOCATION = ±0.20 [0.008]
 FEATURE SIZES = ±0.10 [0.004]
 SCALE 4:1



CONFIGURATION Y

W, SH3	1326508-6
Z, SH2	1326508-3
Y	1326508-2
X	1326508-1
CONFIGURATION	PART NUMBER

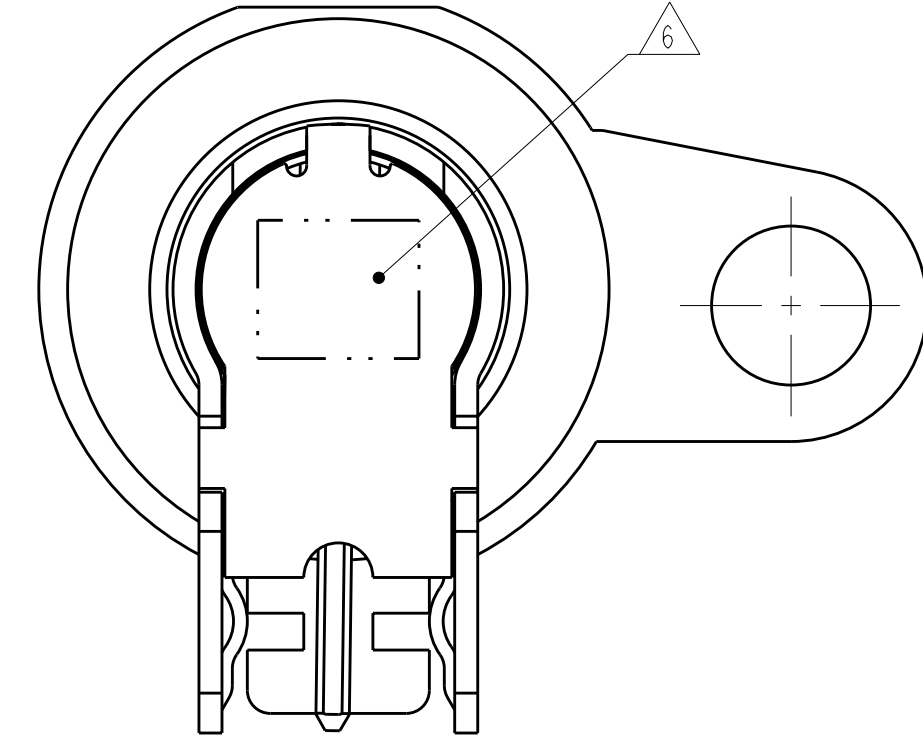
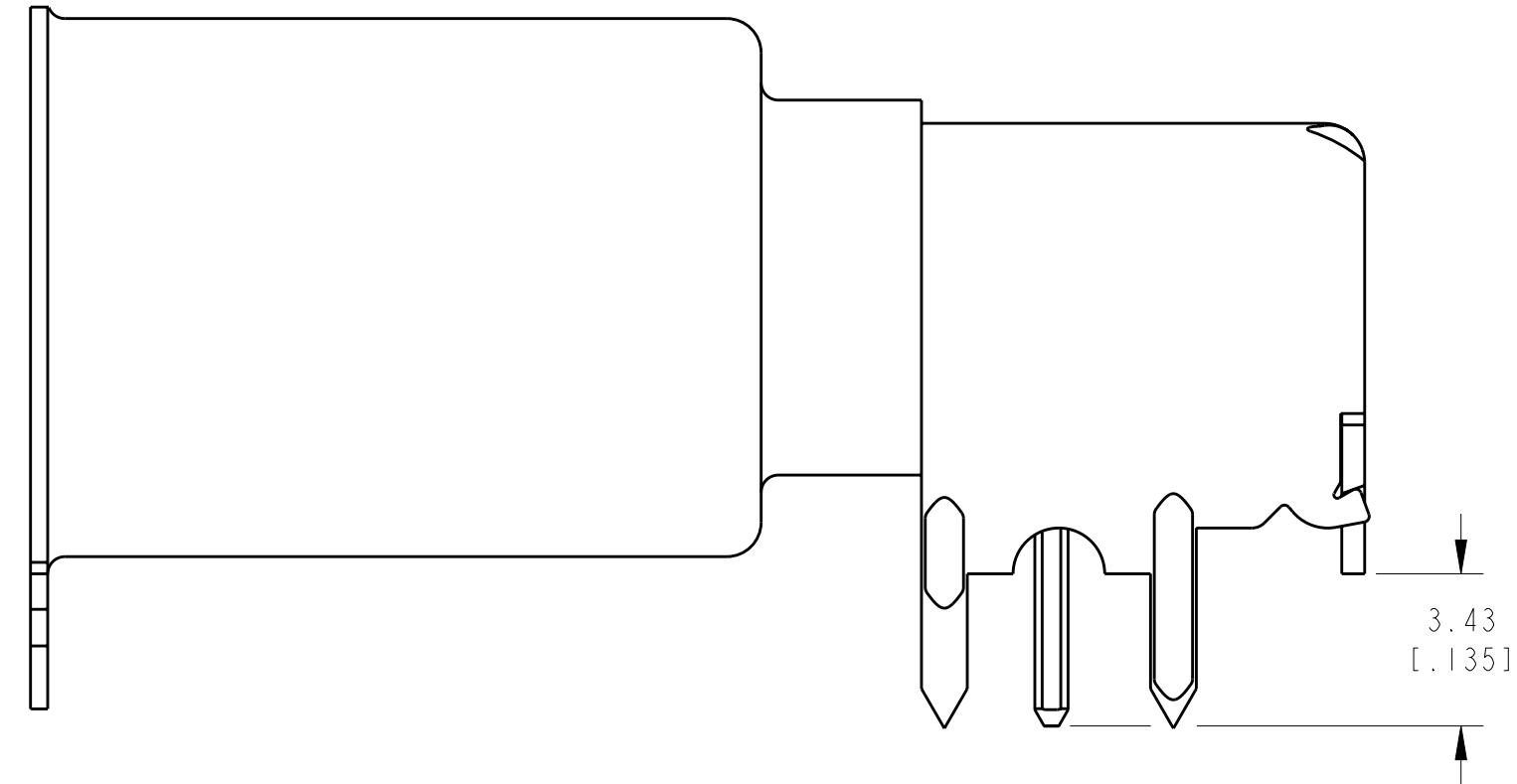
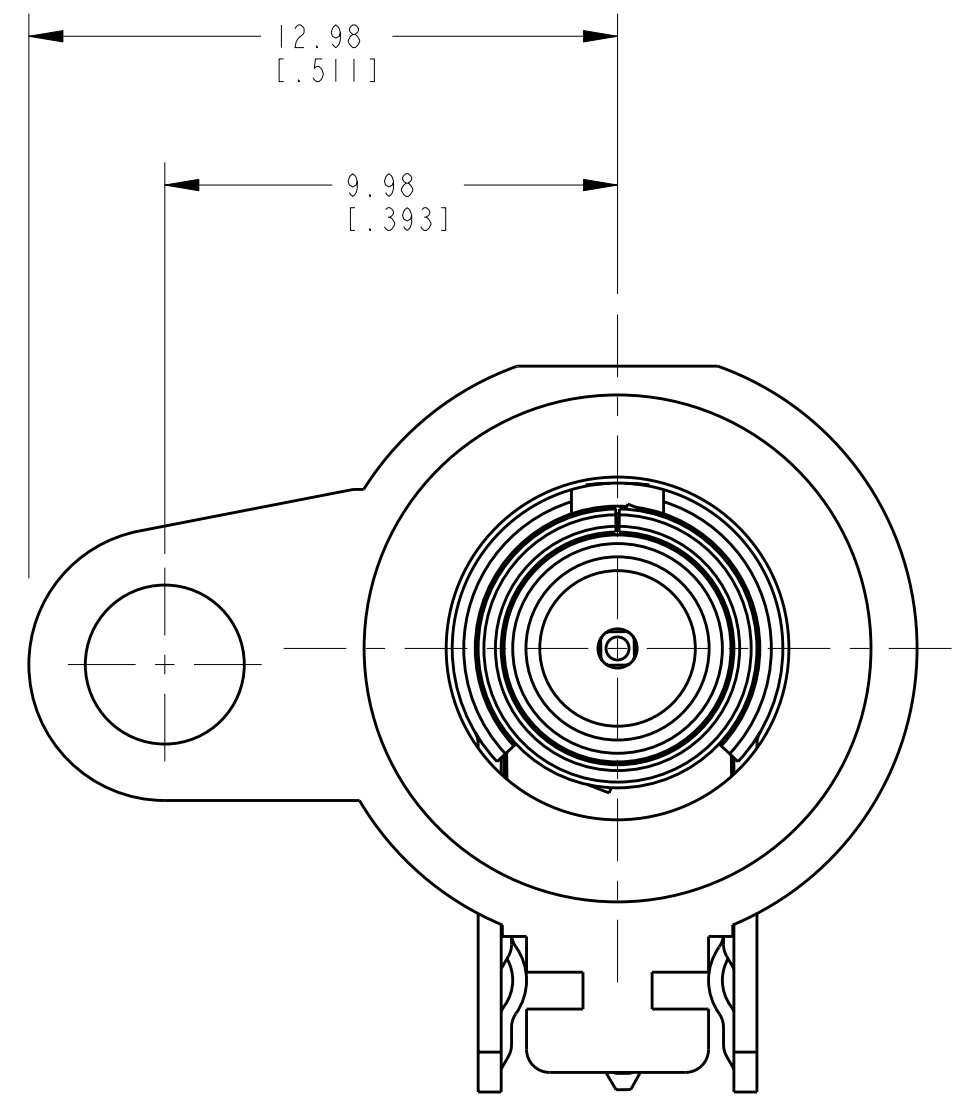
THIS DRAWING IS A CONTROLLED DOCUMENT.

DIMENSIONS: mm [INCHES]	TOLERANCES UNLESS OTHERWISE SPECIFIED:	9 PLC ±	1 PLC ±	5 PLC ±	4 PLC ±	ANGLES ±	FINISH ±
SEE NOTES	SEE NOTES	0.13 [0.005]	0.13 [0.005]	0.13 [0.005]	0.13 [0.005]	±	±

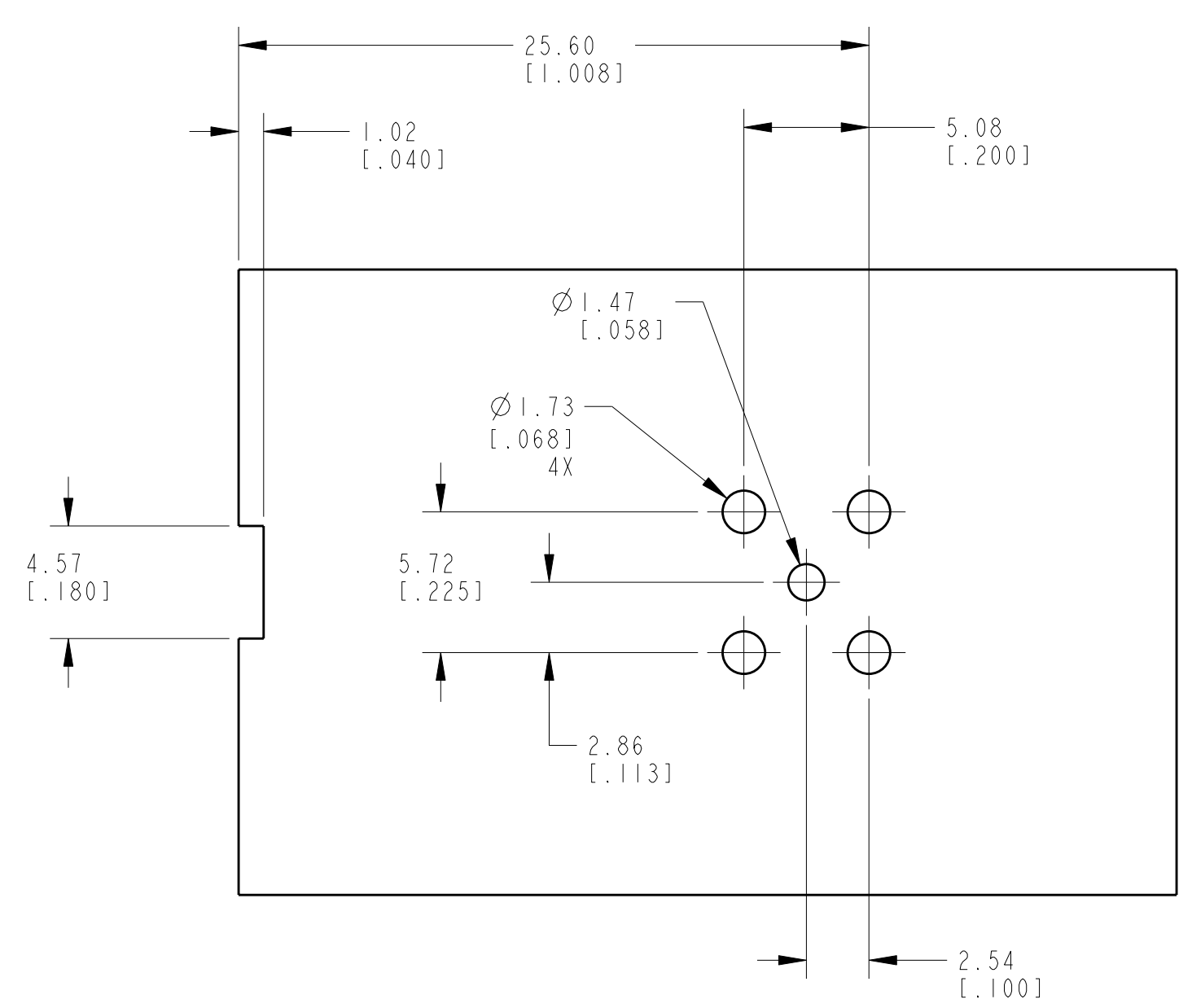
OWN: A. HOLT	13NOV2002	NAME:	
CHK: K. COBLE	13NOV2002	PRODUCT SPEC:	
APPD: K. COBLE	13NOV2002	APPLICATION SPEC:	
SIZE: 114-13002	SCALE: 4:1	SHEET: 1 OF 3	REV: J1

STE TE Connectivity
 PCB JACK, SNAP-LOCK
 A1 00779 C=1326508

LOC	DIST	REVISIONS			
		REV	DATE	BY	APPV
GE	00	-	-	-	-
		SEE SHEET 1			



CONFIGURATION Z



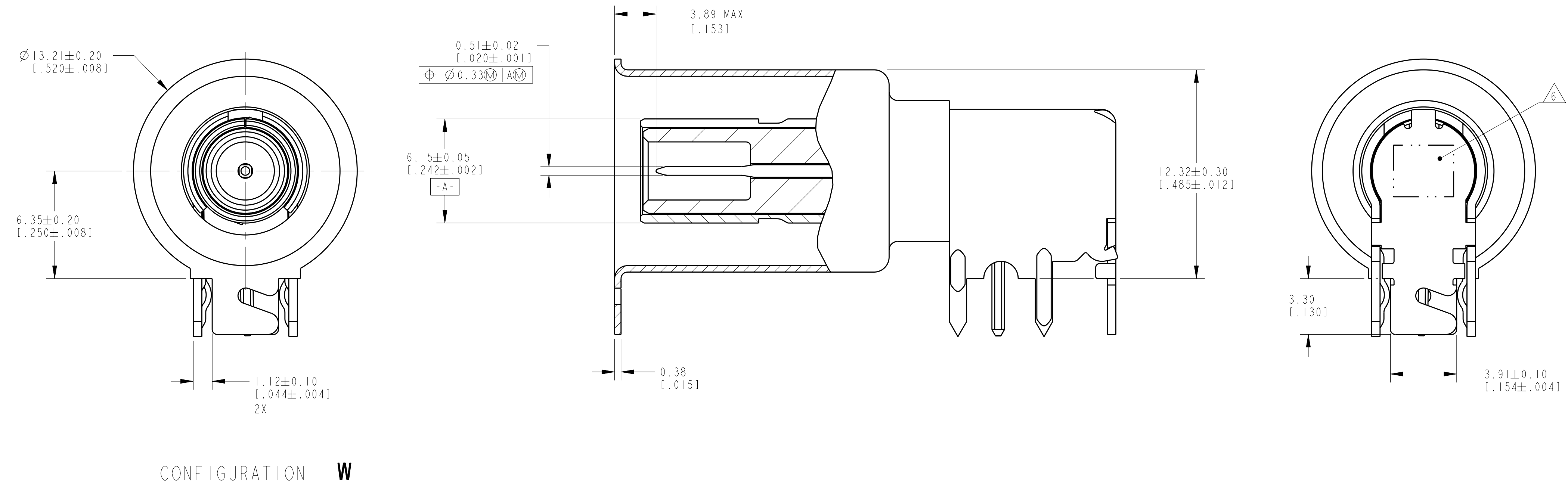
RECOMMENDED PCB LAYOUT
 FOR 1326508-3 ONLY

PCB LAYOUT TOLERANCES:
 LOCATION = ±0.20 [0.008]
 FEATURE SIZES = ±0.10 [0.004]
 SCALE 4:1


THIS DRAWING IS A CONTROLLED DOCUMENT.		DWN A. HOLT	13NOV2002	TE Connectivity NAME PCB JACK, SNAP-LOCK
DIMENSIONS: mm [INCHES]		CHK K. COBLE	13NOV2002	
TOLERANCES UNLESS OTHERWISE SPECIFIED: 9 PLC ± 1 PLC ± 2 PLC ±0.13 [0.005] 3 PLC ± 4 PLC ± ANGLES ±		APPV K. COBLE	13NOV2002	
MATERIAL SEE NOTES		FINISH SEE NOTES		PRODUCT SPEC APPLICATION SPEC 114-13002 WEIGHT CUSTOMER DRAWING
SCALE 4:1		SIZE A1	CAGE CODE 00779	DRAWING NO. C=1326508
SHEET 2 OF 3		REV J		RESTRICTED TO

THIS DRAWING IS UNPUBLISHED. RELEASED FOR PUBLICATION 20
 BY: ALL RIGHTS RESERVED.

LOC	DIST	REV	DATE	BY	CHKD	APVD	DESCRIPTION
GE	00						SEE SHEET 1



CONFIGURATION W

THIS DRAWING IS A CONTROLLED DOCUMENT.		DWN A. HOLT	13NOV2002	 TE Connectivity
DIMENSIONS: mm [INCHES]		CHK K. COBLE	13NOV2002	
TOLERANCES UNLESS OTHERWISE SPECIFIED:		APVD K. COBLE	13NOV2002	NAME PCB JACK, SNAP-LOCK
0 PLC ±	1 PLC ±	PRODUCT SPEC		
2 PLC ±0.13(.005)	3 PLC ±	APPLICATION SPEC		
4 PLC ±	ANGLES ±	114-13002	SIZE A1	CAGE CODE 00779
MATERIAL SEE NOTES	FINISH SEE NOTES	WEIGHT -	DRAWING NO C=1326508	RESTRICTED TO -
CUSTOMER DRAWING		SCALE 6:1	SHEET 3	OF 3
			REV J	

Mouser Electronics

Authorized Distributor

Click to View Pricing, Inventory, Delivery & Lifecycle Information:

[TE Connectivity:](#)

[1326508-6](#)