

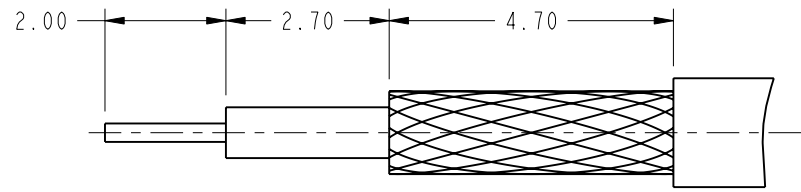
NOTES:

1. MATERIAL AND FINISH (PLATING THICKNESS IN MICRO-INCHES):  
 BODY - BRASS, GOLD PLATING  
 CONTACT - BRASS, GOLD PLATING  
 INSULATOR - PTFE, NATURAL
2. ELECTRICAL:  
 A. IMPEDANCE: 50 OHM  
 B. FREQUENCY RANGE: DC - 4 GHz  
 C. DIELECTRIC WITHSTANDING VOLTAGE: 1000 VRMS. MIN.
3. MECHANICAL:  
 A. DURABILITY: 500 CYCLES MIN.  
 B. TEMPERATURE RANGE: -65°C to + 165°C
4. SHOWS CABLE ENTRY DIMENSIONS.
5. CRIMP CONTACT PIN WITH 0.7MM SQ.
6. CRIMP FERRULE WITH .128" HEX.

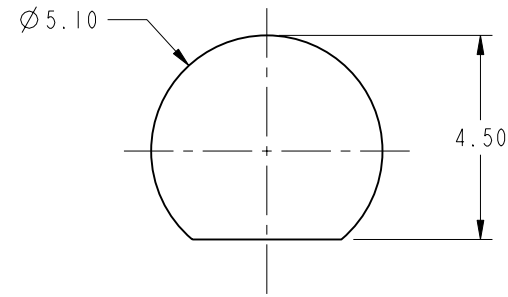
THIRD ANGLE PROJ.

REVISIONS

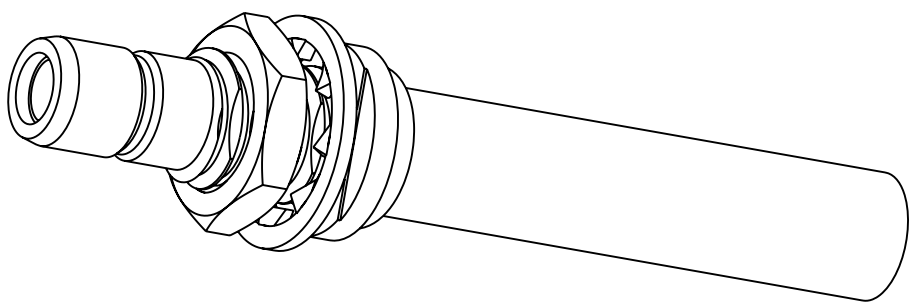
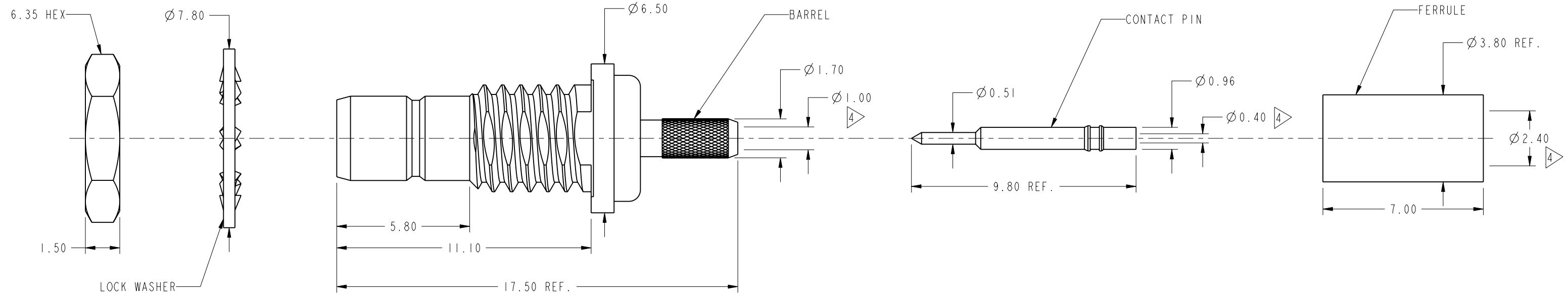
REV	DESCRIPTION	DATE	ECN	APPR
A	RELEASE TO MFG.	24-Mar-05		--
B	BARREL, FERRULE AND HEAT SHRINK TUBE WERE CHANGED	24-Apr-19	11401	SC



RECOMMENDED CABLE STRIPPING DIMENSIONS



RECOMMENDED MOUNTING HOLE



SCALE 4.000

**CUSTOMER OUTLINE DRAWING**  
 ALL OTHER SHEETS ARE FOR INTERNAL USE ONLY

UNLESS OTHERWISE SPECIFIED, DIMENSIONS ARE IN METRIC AND TOLERANCES ARE: <0.5mm ± 0.05mm    0.5 - 6mm ± 0.1mm    6 - 30mm ± 0.2mm    30 - 120mm ± 0.3mm    ANGLES ± 1°	MATERIAL	DRAWN	DATE	TITLE	Amphenol RF www.amphenolrf.com
	-	STAR	27-Apr-19	SMB BULKHEAD CRIMP JACK (FOR RG-178B/U, 196A/U)	
NOTICE - These drawings, specifications, or other data (1) are, and remain the property of Amphenol corp. (2) must be returned upon request; and (3) are confidential and not to be disclosed to any person other than those to whom they are given by Amphenol Corp. the furnishing of these drawings, specifications, or other data by Amphenol Corp., or to any other person to anyone for any purpose is not to be regarded by implication or otherwise in any manner licensing, granting rights to permitting such holder or any other person to manufacture, use or sell any product, process or design, patented or otherwise, that may in any way be related to or disclosed by said drawings, specifications, or other data.	REFERENCE	ENGINEER	DATE	SCALE: 6.0:1.0	DRAWING NO. SMB1421A1-3GT30G-196AU-50 ITEM NO. 121421AAA16GE5F PART NO. 142231
	EAR#	S.HSIEH	24-Mar-05	SHEET 2 OF 2	
REF:	CONFIGURATION LEVEL: In Work	APPROVED	DATE	DWG SIZE	REV
FINISH		S.HSIEH	02-May-19	B	B