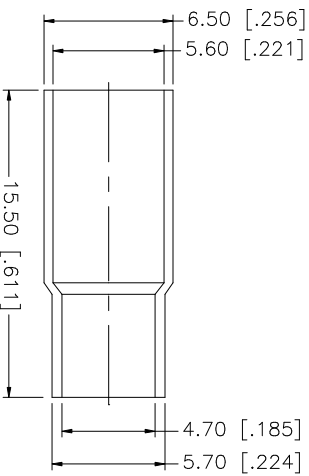
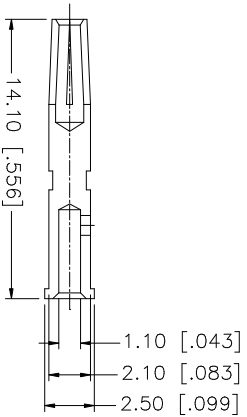
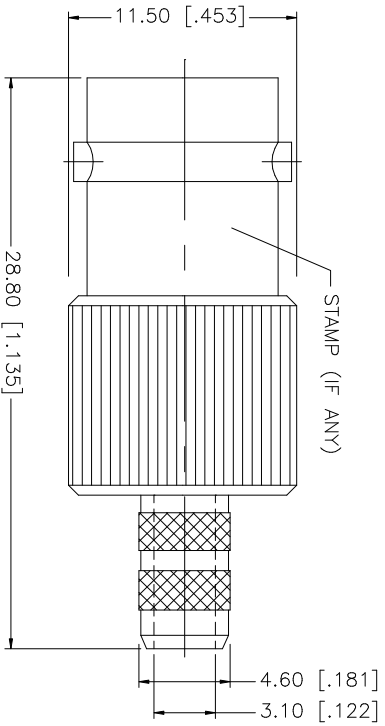
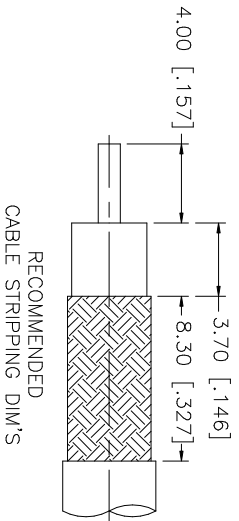


| REV. | DATE     | DESCRIPTION           |
|------|----------|-----------------------|
| B    | 06/05/03 | UPDATE DRAWING FORMAT |



CRIMP NOTES:

1. CRIMPED FERRULE  
HEX CRIMP SIZE .213"
2. CRIMPED CONTACT PIN  
HEX CRIMP SIZE .068"

**Amphenol Connex**

PART DESCRIPTION  
BNC CRIMP JACK  
(FOR 58 PLENUM CABLE)

PART NO. 112152

| DESCRIPTION | MATERIAL    | FINISH       | QTY     | DO NOT SCALE DRAWING   | APPROVALS | DATE              | DWG. NO. | REV.   | SIZE | SCALE    |  |
|-------------|-------------|--------------|---------|--|-----------|-------------------|----------|--------|------|----------|--|
| 8           |             |              |         | UNLESS OTHERWISE SPECIFIED DIMENSIONS ARE IN MILLIMETERS. DIMENSIONS IN [ ] ARE IN INCHES AND FOR CUSTOMER REFERENCE ONLY. TOLERANCES FOR MILLIMETERS ARE:<br>0.5 - 8mm ± 0.20mm<br>8 - 30mm ± 0.40mm<br>30 - 120mm ± 0.50mm |           |                   |          |        |      |          |  |
| 7           |             |              |         | UNLESS OTHERWISE SPECIFIED DIMENSIONS ARE IN MILLIMETERS. DIMENSIONS IN [ ] ARE IN INCHES AND FOR CUSTOMER REFERENCE ONLY. TOLERANCES FOR MILLIMETERS ARE:<br>0.5 - 8mm ± 0.20mm<br>8 - 30mm ± 0.40mm<br>30 - 120mm ± 0.50mm |           |                   |          |        |      |          |  |
| 6           |             |              |         | UNLESS OTHERWISE SPECIFIED DIMENSIONS ARE IN MILLIMETERS. DIMENSIONS IN [ ] ARE IN INCHES AND FOR CUSTOMER REFERENCE ONLY. TOLERANCES FOR MILLIMETERS ARE:<br>0.5 - 8mm ± 0.20mm<br>8 - 30mm ± 0.40mm<br>30 - 120mm ± 0.50mm |           |                   |          |        |      |          |  |
| 5           |             |              |         | UNLESS OTHERWISE SPECIFIED DIMENSIONS ARE IN MILLIMETERS. DIMENSIONS IN [ ] ARE IN INCHES AND FOR CUSTOMER REFERENCE ONLY. TOLERANCES FOR MILLIMETERS ARE:<br>0.5 - 8mm ± 0.20mm<br>8 - 30mm ± 0.40mm<br>30 - 120mm ± 0.50mm |           |                   |          |        |      |          |  |
| 4           | FERRULE     | COPPER       | NICKEL  | 1  |           |                   |          |        |      |          |  |
| 3           | CONTACT PIN | PHOS. BRONZE | GOLD    | 1  |           |                   |          |        |      |          |  |
| 2           | INSULATOR   | TEFLON       | NATURAL | 1  |           |                   |          |        |      |          |  |
| 1           | BODY        | BRASS        | NICKEL  | 1  |           |                   |          |        |      |          |  |
| DESCRIPTION |             |              |         | CAD FILE   |           | C:/112/112152.DWG |          | REV. B |      | SCALE NA |  |

# Mouser Electronics

Authorized Distributor

Click to View Pricing, Inventory, Delivery & Lifecycle Information:

[Amphenol:](#)

[112152](#)