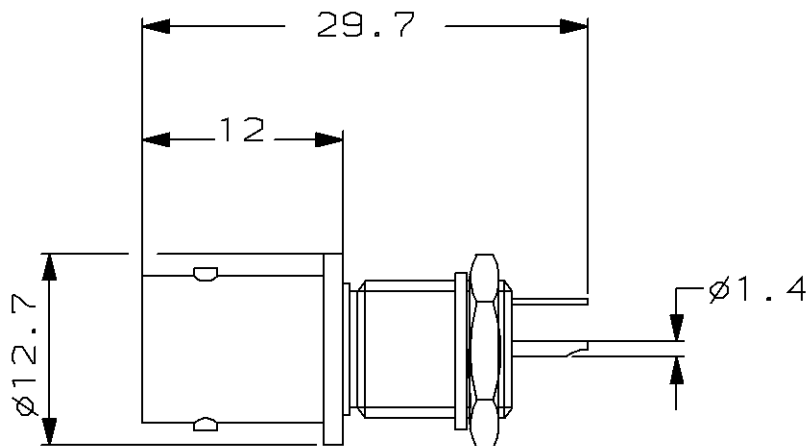


LOC F	DIST 7	REVISIONS			
P	LTR REV	DESCRIPTION MODIFICATIONS	DATE	DWN DESS.	APVD APP.
	-	-	-	-	-



P/N AMP	IMPEDANCE
134862-1	50Ω

RELEASED FOR PUBLICATION

THIS DRAWING IS UNPUBLISHED.  
DIFFUSION RESEINTE AMP

ALL RIGHTS RESERVED.  
TOUS DROITS RESERVES.

BY AMP INCORPORATED.  
COPYRIGHT 19

DIMENSIONS: mm	DWN/DESSINE J. ALVES	16-DEC-96	MATERIAL MATIERE	-	FINISH FINITION	-
	CHK/VERIFIE Y. PETRONIN	26-FEB-97	AMP DE FRANCE 95301 PONTOISE			
TOLERANCES UNLESS OTHERWISE SPECIFIED; TOLERANCES NON SPECIFIEES (SUIV NB DE DECIMALES); 0 $\pm$ DEC/DEC 1 $\pm$ DEC/DEC 2 $\pm$ DEC/DEC 3 $\pm$ DEC/DEC 4 $\pm$ DEC/DEC ANGLES $\pm$ -	APVD/APPROUVE Y. PETRONIN	26-FEB-97				
	PRODUCT SPEC SPEC. PRODUIT	-	SIZE FORMAT	CAGE CODE	DRAWING NO TITRE	RESTRICTED TO
APPLICATION SPEC SPEC. APPLICATION	-	A4	00779	C-134862	-	-
WEIGHT MASSE APPROX.	-	CUSTOMER DRAWING/PLAN CLIENT		UNIQUEMENT POUR REFERENCE	SCALE ECHELLE 1:1	SHEET FEUILLE 1 OF 1 DE 1
				REV	0	

# Mouser Electronics

Authorized Distributor

Click to View Pricing, Inventory, Delivery & Lifecycle Information:

[TE Connectivity:](#)

[134862-1](#)